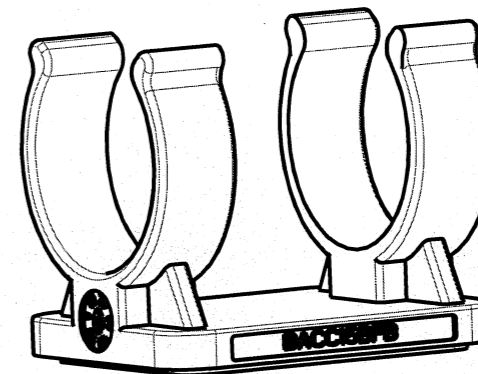
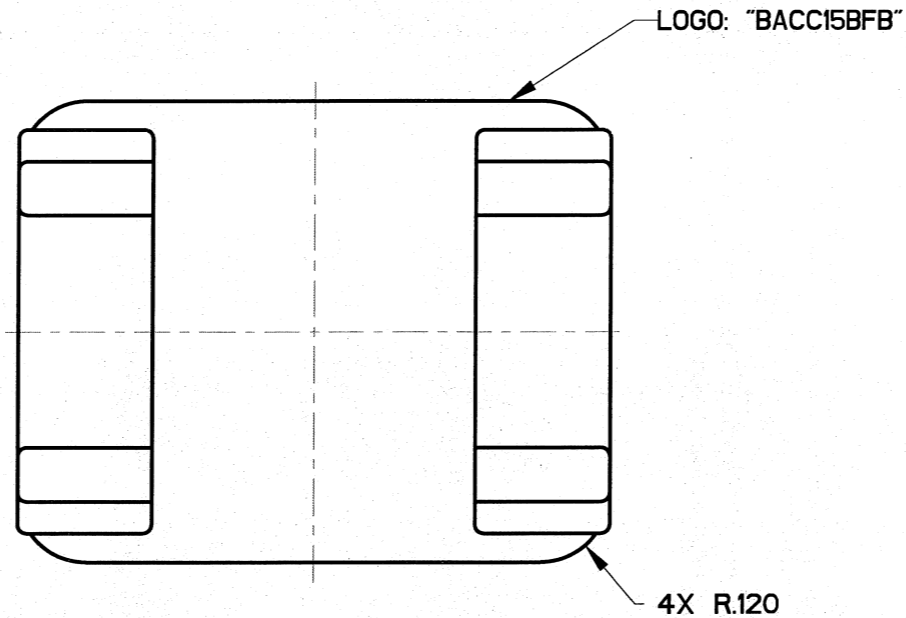
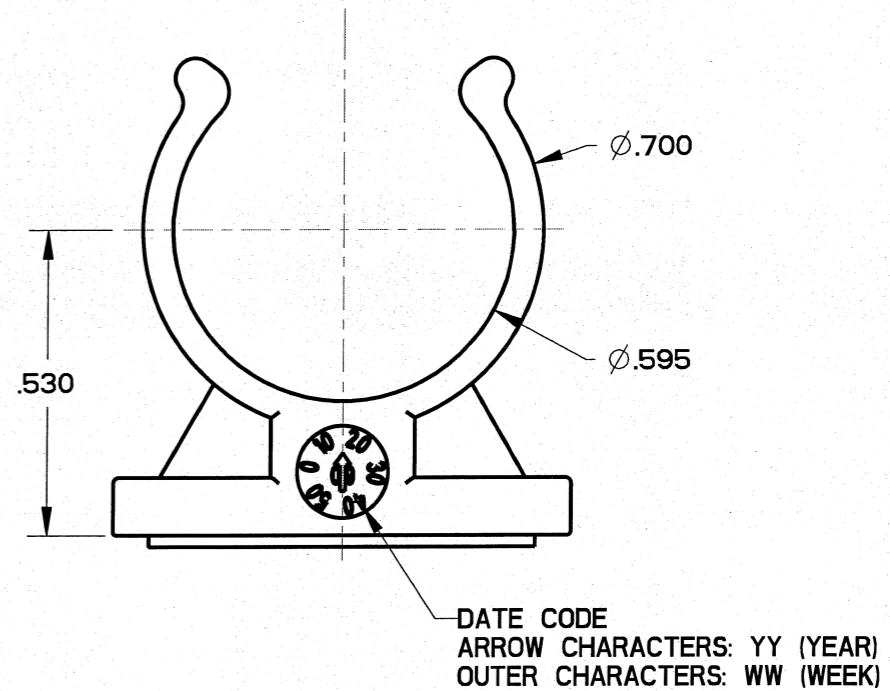
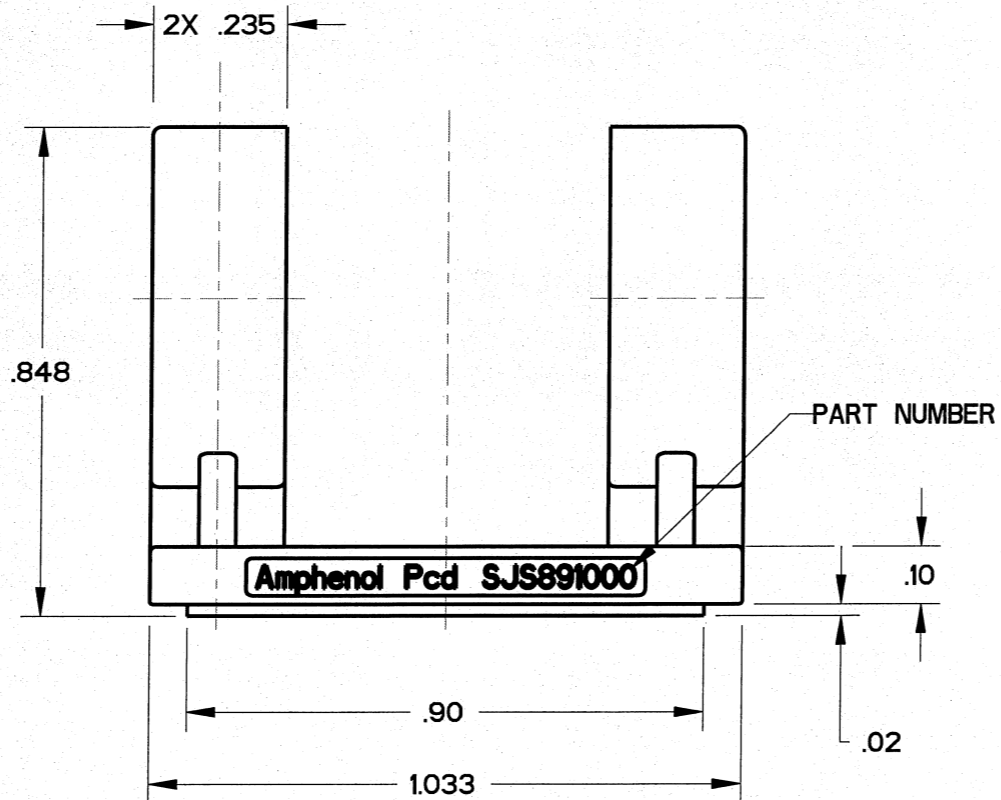
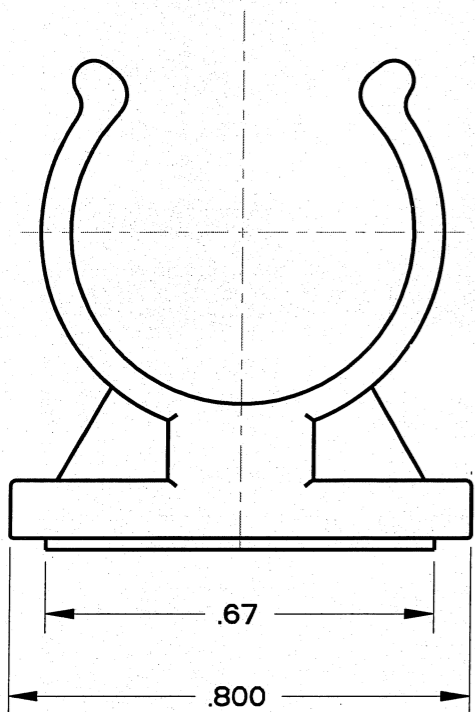


REV	ECN	APP'D
A	6351	JT 9/11/09
B	6441	<i>[Signature]</i> 11/3/09



SJS891000



SJS891000

NOTES:
1. MATERIALS:
MOUNTING LARGE CRADLE : PA6/6
ADHESIVE TAPE: 3M 5958FR VHB
2. WEIGHT: 2.8 GRAMS

DIMENSIONS ANSI Y14.5M UNITS: INCHES Pro/E FILE	TOLERANCES .XX ±0.01 .XXX ±0.005 ANGLES ±1.0°	PROJECTION 	Amphenol Pcd SPECIFICATION DRAWING		TITLE BACC15BFB MOUNTING CRADLE, SHELL SIZE B WITH ADHESIVE		
			ENGR Frank.Li 29-Apr-09	CHKD <i>[Signature]</i> 11/3/09	SIZE B	DWG NO. SJS891000_CE	REV B
ORIGINAL 	THIS DOCUMENT CONTAINS PROPRIETARY INFORMATION WHICH IS THE CONFIDENTIAL PROPERTY OF AMPHENOL PCD INC., BEVERLY, MA			APPD <i>[Signature]</i> 11/3/09	CODE: 58982	SCALE: 3:1	SHEET 1 OF 1