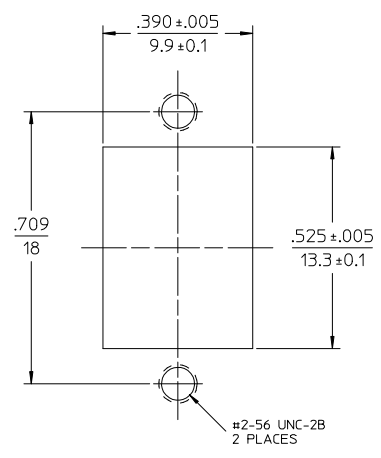
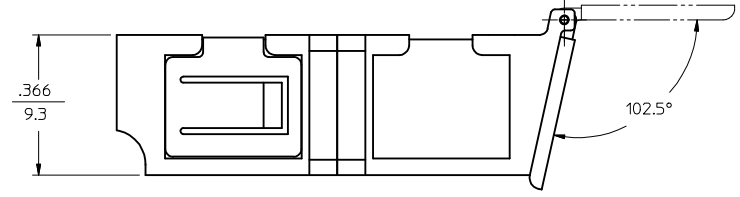
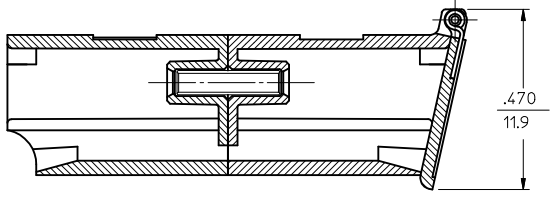
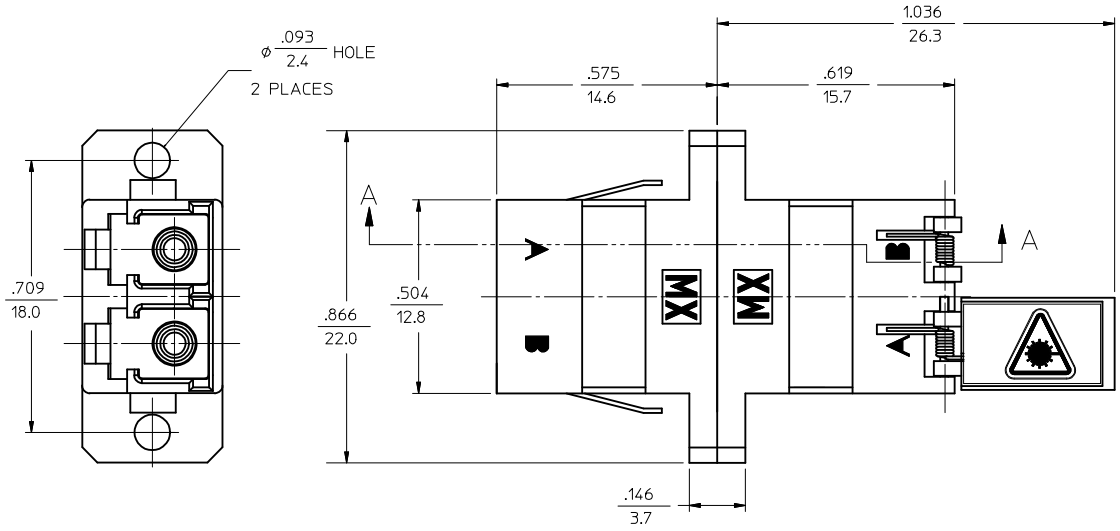


LC ADAPTER P/N	COLOR	SPLIT SLEEVE MATERIAL
106127-1300	BLUE	Zr
106127-1320 (SEE NOTE 2)		
106127-0310	BEIGE	Ph. Bronze
106127-0350	AQUA	Ph. Bronze
106127-1350	GREEN	Zr
106127-1500	BLUE/METAL DOOR	Zr
106127-0510	BEIGE/METAL DOOR	Ph. Bronze
106127-1550	GREEN/METAL DOOR	Zr



RECOMMENDED MOUNTING CUTOUT FOR .063 THICK PANEL

NOTES:  
 1. DUST CAPS ARE NOT SHOWN, BUT INCLUDED.  
 2. FOR P/N 106127-1320 LASER WARNING LABEL IS SUPPLIED UNATTACHED AND SHALL BE INSTALLED BY CUSTOMER.

<b>ENTER DESCRIPTION</b> EC NO: MF2009-0243 DRW:KPEVZNER CHKD: 2008/12/04 APPR:IGJMIN 2008/12/05	<b>QUALITY SYMBOLS</b> ▽=0 ▽=0	<b>GENERAL TOLERANCES (UNLESS SPECIFIED)</b>		<b>DIMENSION STYLE</b> IN/MM	<b>SCALE</b> 1:1	<b>DESIGN UNITS</b> INCH	THIRD ANGLE PROJECTION
		4 PLACES ± --- ± --- 3 PLACES ± --- ± --- 2 PLACES ± --- ± --- 1 PLACE ± --- ± ---	mm INCH INCH mm	DRAWN BY PGIBLIN DATE 2005/10/05	TITLE <b>LC DUPLEX ADAPTER W/SHUTTERS (STANDARD FLANGE/SC FOOT PRINT)</b>		
		ANGULAR ±1/2°		APPROVED BY DATE	<b>molex MOLEX INCORPORATED</b>		
		DRAFT WHERE APPLICABLE MUST REMAIN WITHIN DIMENSIONS		MATERIAL NO. SEE TABLE SIZE C	DOCUMENT NO. SD-106127-XXX0 SHEET NO. 1 OF 1		