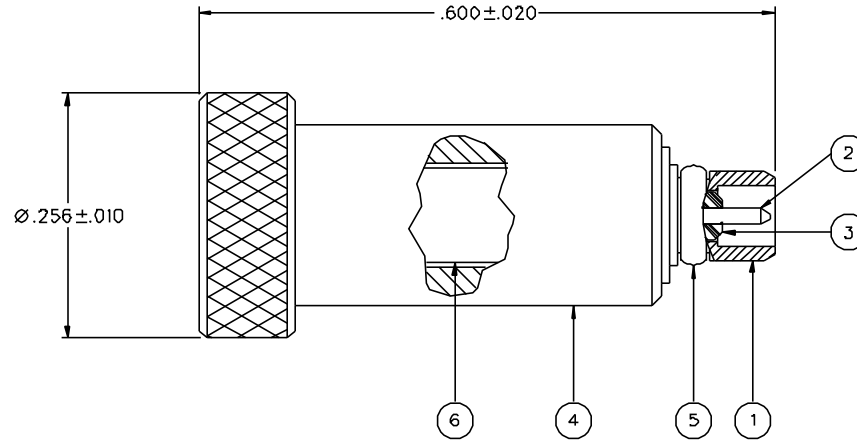


PART NUMBER	ITEM ① FRONT BODY	ITEM ② CONTACT	ITEM ③ INSULATOR	ITEM ④ REAR BODY	ITEM ⑤ INTERFACE SPRING	ITEM ⑥ RESISTOR
133-3801-B11	BRASS GOLD PL .00001 MIN OVER NICKEL PL .00005 MIN OVER COPPER PL .00005 MIN	BRASS GOLD PL .00003 MIN OVER NICKEL PL .00005 MIN OVER COPPER PL .00005 MIN	TEFLON	BRASS GOLD PL .00001 MIN OVER NICKEL PL .00005 MIN OVER COPPER PL .00005 MIN	BERYLLIUM COPPER GOLD PL .00003 MIN OVER NICKEL PL .00005 MIN OVER COPPER PL .00005 MIN	50 OHM ±1%

DRAWING NO. C - 135-3801-811/820	
0	REVISIONS
ENGINEERING RELEASE	
1	5-2-00 R H T R ECN 47052



NOTES:

1. SPECIFICATIONS:

RESISTANCE: 50 ± 5% OHMS
 FREQUENCY RANGE: 0-1 GHz
 VSWR: NOT SPECIFIED
 MAXIMUM POWER: 0.5 WATT TO 25°C, DERATED TO 0.25 WATT AT -125°C

MECHANICAL:

ENGAGE/DISENGAGE FORCE: 8.0 LBS MAX ENGAGEMENT
 1.4 LBS TYP, 1.0 LBS MIN DISENGAGEMENT
 CONTACT RETENTION FORCE: 2 LBS MIN AXIAL FORCE
 DURABILITY: 500 CYCLES MIN

ENVIRONMENTAL:

OPERATING TEMPERATURE: -65°C TO +125°C

CUSTOMER DRAWING

THIS DRAWING TO BE INTERPRETED
 PER ANSI Y 14.5M - 1982

"µSTATION"

COMPANY CONFIDENTIAL

TOLERANCE UNLESS OTHERWISE SPECIFIED	DRAWN BY JRK	DATE 3-20-00	 <small>Cinch Connectivity Solutions 299 Johnson Ave. Ste. 100 Waukegan, MN 55093 1-800-247-8256</small>
DECIMALS .XX	CHECKED BY JRK	DATE 5-3-00	
mm .XXX ± .003	APPROVED BY RJB	DATE 5-3-00	TITLE PLUG ASSEMBLY, DUMMY LOAD, 50 OHM MMCK
MATL	APPROVED BY	DATE	CODE NO.
FINISH	RELEASE DATE		DRAWING NO. C - 135-3801-811/820
SCALE 10:1			U/M INCH SHEET 2 OF 2