

MODEL NUMBER
PWD-5530-02-SMA-79

NOTES:

1.0 ELECTRICAL SPECIFICATIONS:

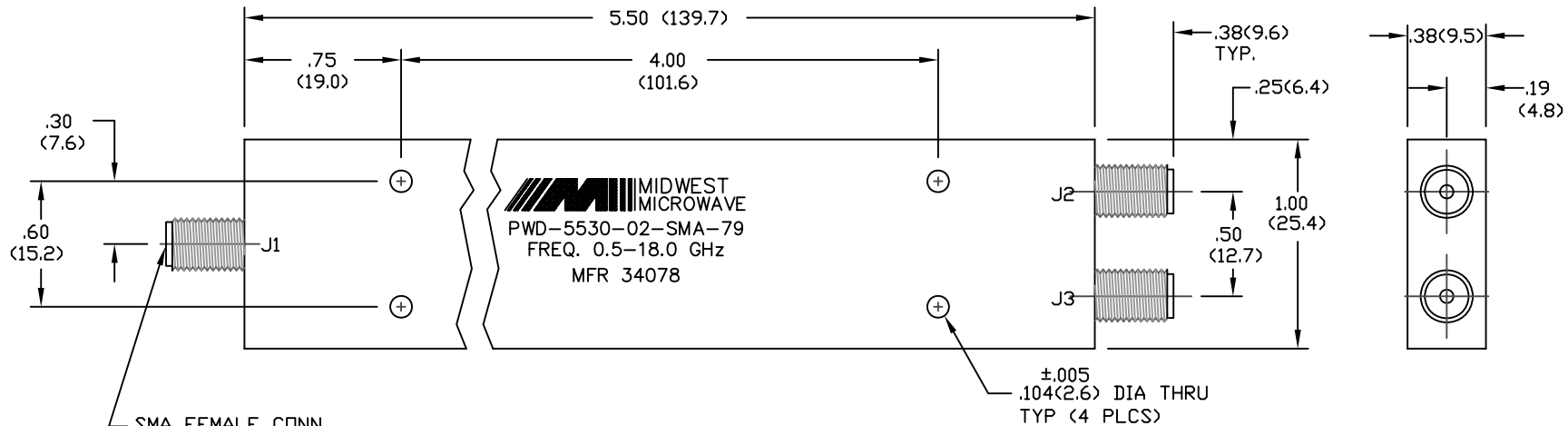
- 1.1 FREQUENCY RANGE: 0.5 to 18.0 GHz.
- 1.2 INSERTION LOSS: $(0.3 + 0.1f)$ dB
WHERE f = FREQUENCY IN GHz
- 1.3 ISOLATION: 18 dB MIN.
- 1.4 VSWR (MAX): 1.50:1
- 1.5 OUTPUT UNBALANCE:
 - 1.5.1 AMPLITUDE: 0.3 dB MAX.
 - 1.5.2 PHASE: 5° MAX.
- 1.6 MAXIMUM INPUT POWER: 10 WATTS
(WITH OUTPUT LOADS OF VSWR < 2.0:1)

2.0 FINISH:

- 2.1 GREY PER MIL-E-15090 TYPE II, CLASS 2
OVER MIL-C-5541 CLASS 3A
MEETS MIL-F-14072
MEETS MIL-E-5400
- 2.2 MARK UNIT AS SHOWN.

3.0 DIMENSIONS IN PARENTHESIS ARE
IN MILLIMETERS.

4.0 WEIGHT: 100 GRAMS MAX.



SMA FEMALE CONN.
PER MIL-PRF-39012
TYP (3 PLCS)

MIDWEST MICROWAVE
PWD-5530-02-SMA-79
FREQ. 0.5-18.0 GHz
MFR 34078

REV.	DESCRIPTION	DATE
-	RELEASED	2/10/93
A	ECN 14086	11/2/94
B	ECN 14432	4/17/95
B1	ADDED TITLEBLOCK	7/20/05

NOTICE: The information contained in this drawing is proprietary and must not be used without the permission of Emerson Network Power.

UNLESS OTHERWISE NOTED DIMENSIONS ARE IN INCHES AND TOLERANCES ARE:
3 PLACE DECIMALS ±.005
2 PLACE DECIMALS ±.02
FRACTIONS ±1/64
PARALLELITY: T.I.R.
FLATNESS: T.I.R.
CONCENTRICITY: T.I.R.
ANGLES AND PERPENDICULARITY: ±1'

GAGE CODE 34078		MIDWEST MICROWAVE	
 EMERSON. Network Power Connectivity Solutions		TITLE POWER DIVIDER OUTLINE DRAWING	
		DRAWN/DATE A.BEATTY 4/4/93	ENG./DATE P.GOODMAN 2/9/93
CHECKED/DATE A.OSGA 4/8/93	APPROVED/DATE	SCALE: 5=1	SHEET 1 of 1