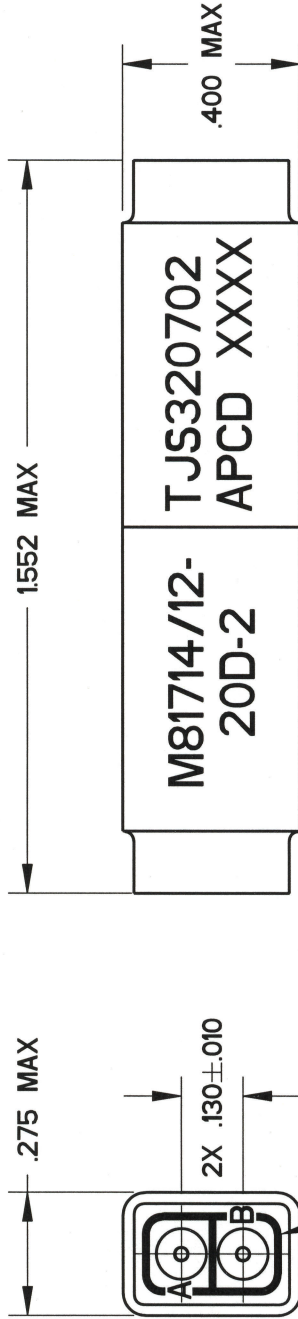
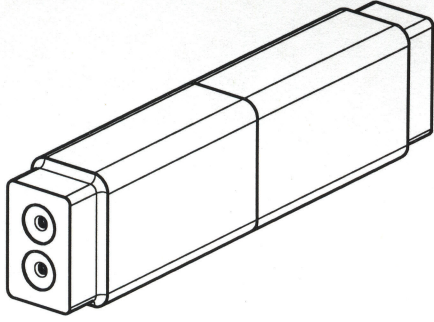


| | | |
|-----|------|---------|
| REV | ECN | APP'D |
| - | 5882 | 7/18/06 |



- NOTES:
- PART MEETS ALL REQUIREMENTS OF MIL-T-81714/12
 - MATERIALS:
 GROMMET - SILICONE RUBBER, COLOR: BLUE
 INSULATOR - THERMOPLASTIC
 INTERNAL CONTACT - COPPER ALLOY
 CONTACT RETAINER CLIPS - STAINLESS STEEL ALLOY
 - MODULE ACCEPTS M39029/1-101 PIN CONTACTS, SEE TABLE.

| PART NO. | DESCRIPTION | P/N MARKING |
|-----------|-----------------------------|-------------|
| TJS320602 | CONTACTS NOT SUPPLIED | TJS320702 |
| TJS320702 | FIVE (5) CNP006000 INCLUDED | |

| | |
|--|--|
| TITLE | |
| TERMINAL JUNCTION SPLICE DOUBLE UNBUSSED, SIZE 20 | |

| | |
|-------|-------------|
| SIZE | DWG NO. |
| A | TJS320602_C |
| CODE: | SCALE: |
| 58982 | 8:3 |
| SHEET | OF |
| 1 | 1 |

| | |
|---------------------------------------|--------------------------|
| Amphenol Pcd SPECIFICATION DRAWING | |
| DRWN | R. SWAINE 07/06/06 |
| ENGR | <i>R. Swaine</i> 7/13/06 |
| APPD | <i>Swaine</i> 7/18/06 |

| | | | |
|--|--|------------|---|
| DIMENSIONS | TOLERANCES | PROJECTION | THIS DOCUMENT CONTAINS PROPRIETARY INFORMATION WHICH IS THE CONFIDENTIAL PROPERTY OF AMPHENOL PCD INC., PEABODY, MA |
| ANSI Y14.5M UNITS: INCHES Pro/E FILE | .XX ±0.01 .XXX ±0.005 ANGLES ±0.5° | | |