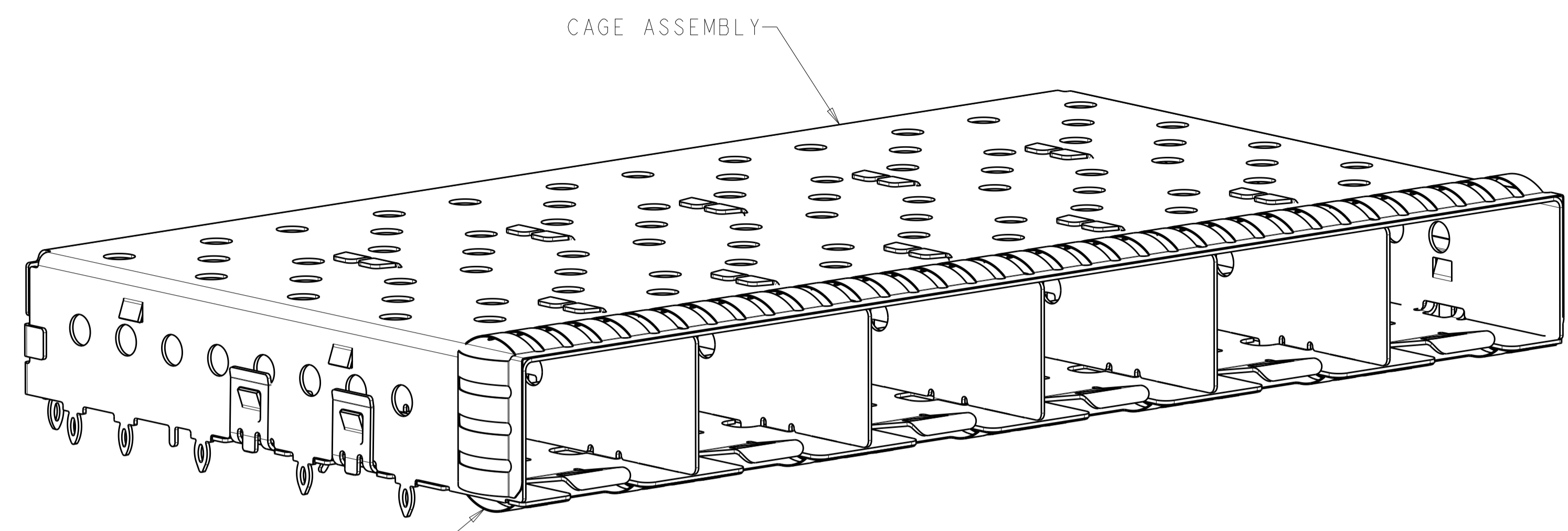
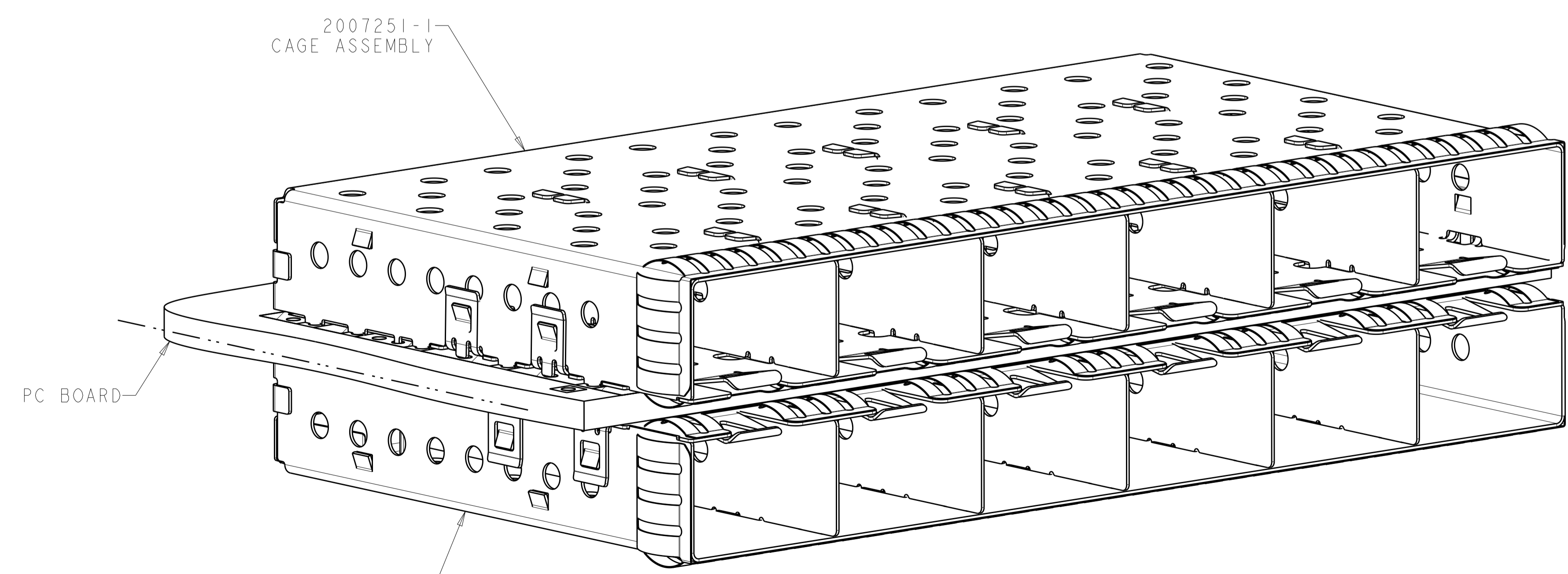
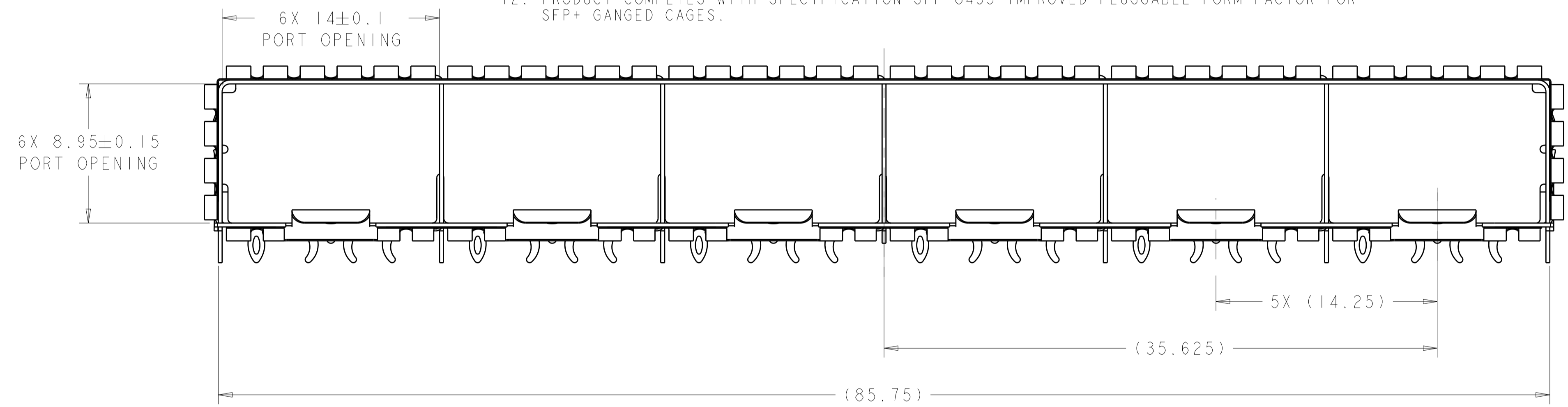
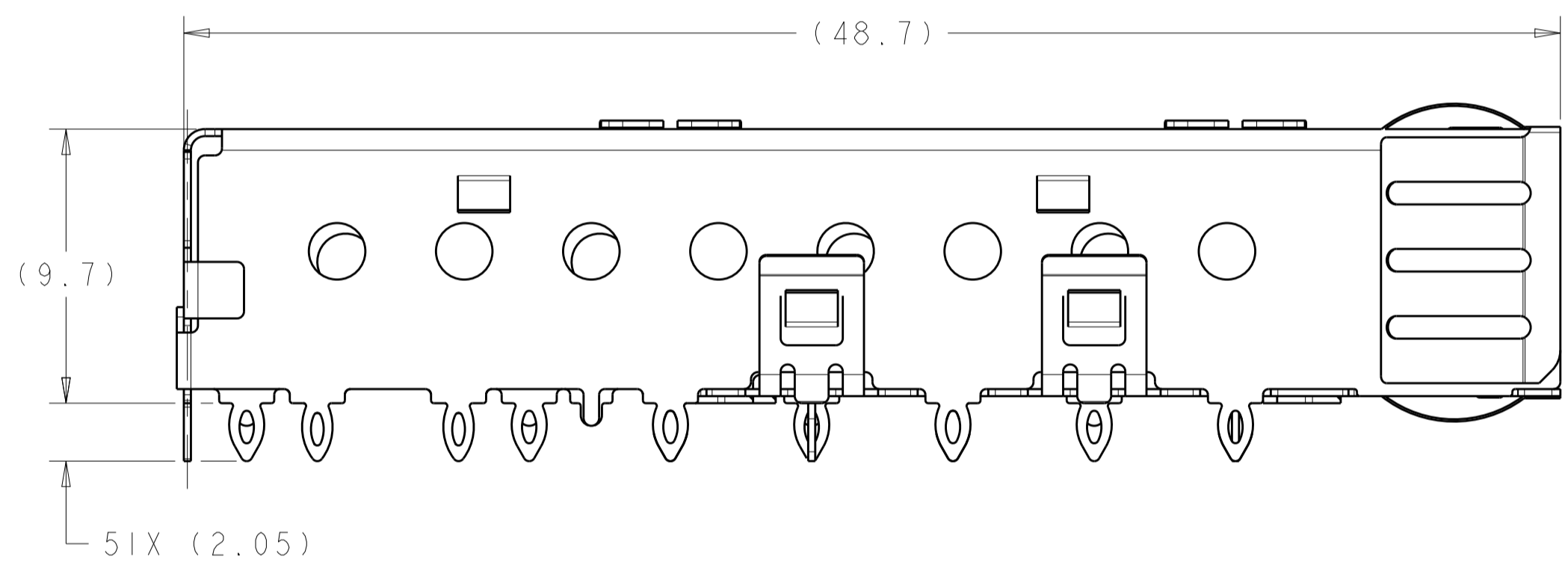


LOC	DIST	REVISIONS					
GP	00	P	LTN	DESCRIPTION	DATE	DMN	APVD
		B		REVISED PER ECO-09-022874	20OCT2009	CR	MS
		C		RELEASED PER ECO-11-019224	09JAN2012	TX	AC
		D		REVISED PER ECO-12-014021	28SEP2012	TD	AC

- 1. MATERIAL: CAGE ASSEMBLY: 0.25mm THICK NICKEL SILVER ALLOY.
EMI SPRINGS: COPPER ALLOY.
- 2. FINISH:
SPRINGS: MINIMUM OF 0.8um TIN PLATE OVER A MINIMUM OF 0.8um NICKEL UNDERPLATE.
NON-PLATED EDGES PERMISSIBLE.
- 3. MATES WITH SFP MSA COMPLIANT TRANSCEIVERS.
- 4. PADS AND VIAS CHASSIS GROUND.
- 5. INTERPRETATION OF DATUM REFERENCE FRAME IN ACCORDANCE WITH SECT 4.4.1.1 OF ASME Y14.5M-1994.
- 6. MINIMUM PCB BOARD THICKNESS:
SINGLE SIDED = 1.50
DOUBLE SIDED = 2.25
- 7. HOLE PATTERN REPEATS FOR EACH PORT. SPACING BETWEEN PORTS IS 14.25mm.
- 8. DATUM AND BASIC DIMENSION ESTABLISHED BY CUSTOMER.
- 9. REFERENCE APPLICATION SPEC. 114-13120, HOLE A, FOR RECOMMENDED DRILL HOLE DIAMETER AND PLATING THICKNESS.
- 10. REFERENCE APPLICATION SPEC. 114-13120, HOLE B, FOR RECOMMENDED DRILL HOLE DIAMETER AND PLATING THICKNESS.
- 11. CERTAIN MATING TRANSCEIVERS MAY REQUIRE ADDITIONAL PCB THICKNESS THAT WOULD BE DETERMINED BY THE CUSTOMER.
- 12. PRODUCT COMPLIES WITH SPECIFICATION SFF-8433 IMPROVED PLUGGABLE FORM FACTOR FOR SFP+ GANGED CAGES.



2007251-1
FINISHED ASSEMBLY
SCALE 4:1

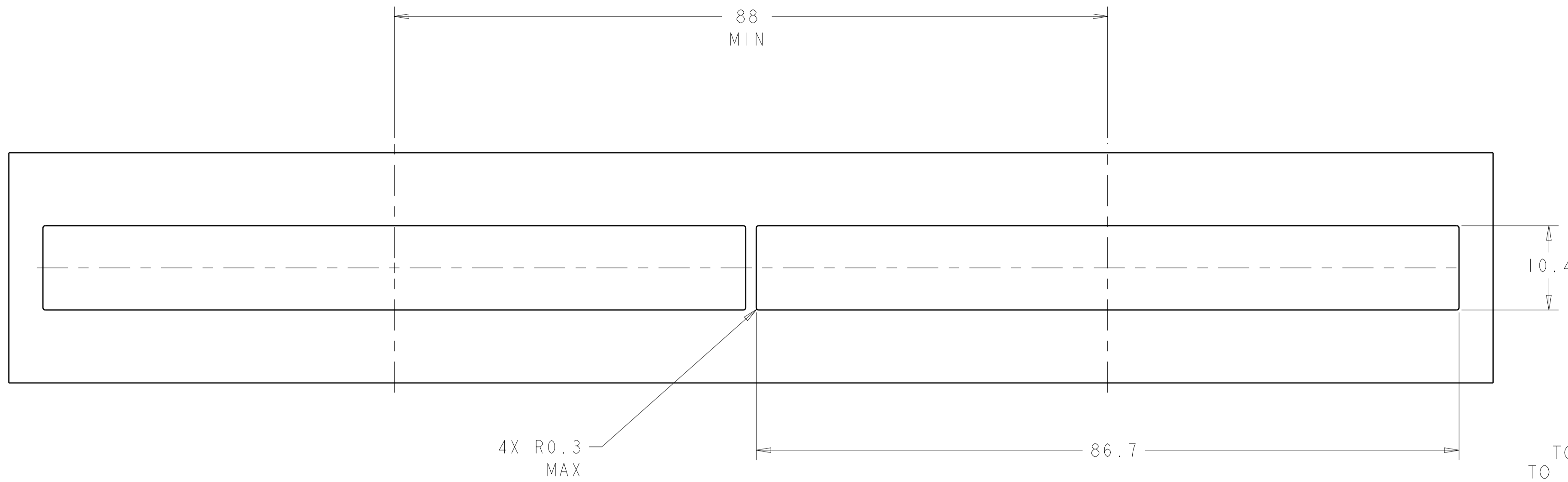


2007251-1
CAGE ASSEMBLY
MOUNTED BELLY TO BELLY ON PCB
SCALE 4:1

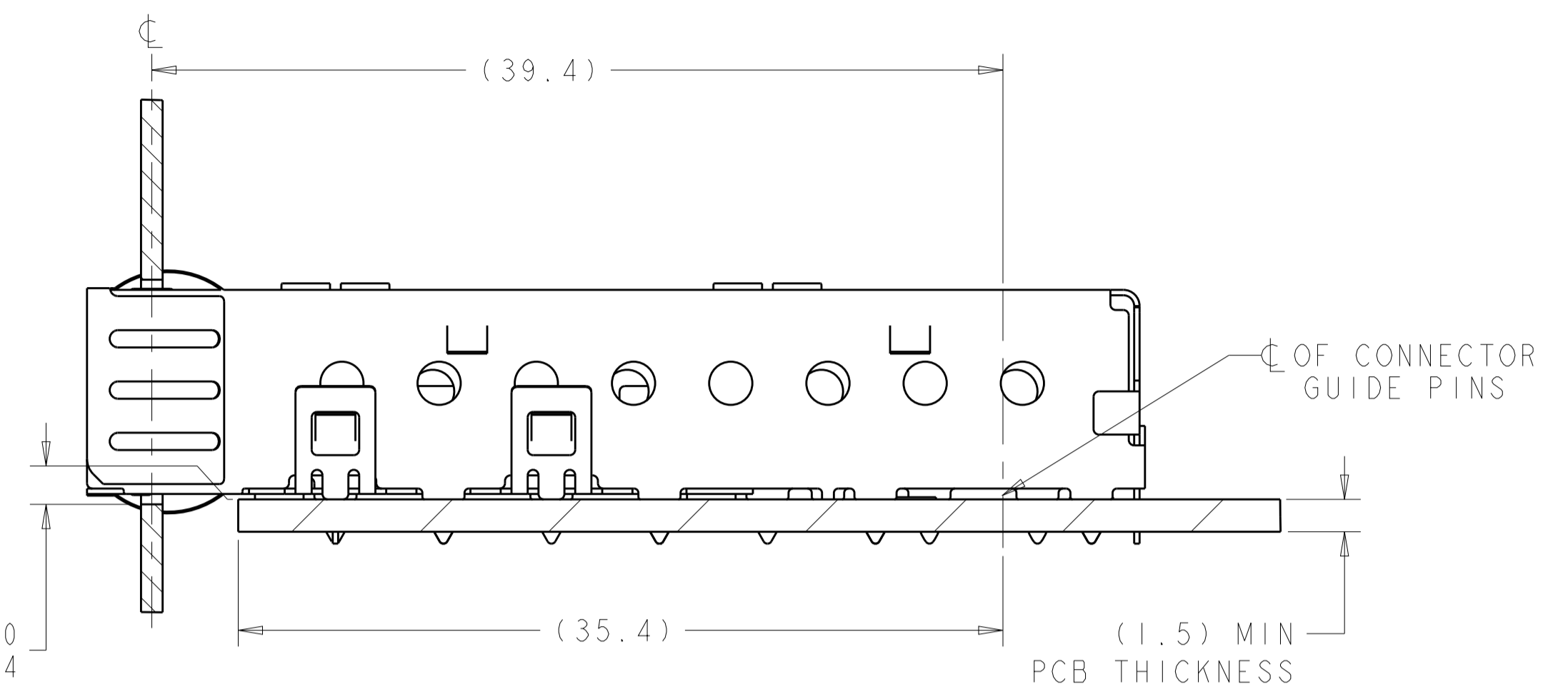
2007251-1
PART NUMBER

THIS DRAWING IS A CONTROLLED DOCUMENT.		DMN Z. M. BEAM 17JUL2007	TE Connectivity	
DIMENSIONS: mm		CHK M. R. SCHMITT 17JUL2007		
TOLERANCES UNLESS OTHERWISE SPECIFIED:		APVD R. H. WERTZ 17JUL2007	NAME SFP+ 1X6 PRINTED CIRCUIT BOARD BELLY TO BELLY APPLICATIONS	
0 PLC ±0.1		PRODUCT SPEC	SIZE CAGE CODE DRAWING NO	
1 PLC ±0.1		108-2364	RESTRICTED TO	
2 PLC ±0.1		APPLICATION SPEC	A100779C=2007251	
3 PLC ±0.1		114-13120	SCALE 2:1 SHEET 1 OF 4 REV D	
4 PLC ±0.1		WEIGHT		
ANGLES ±1°		Customer Drawing		
MATERIAL				
FINISH				

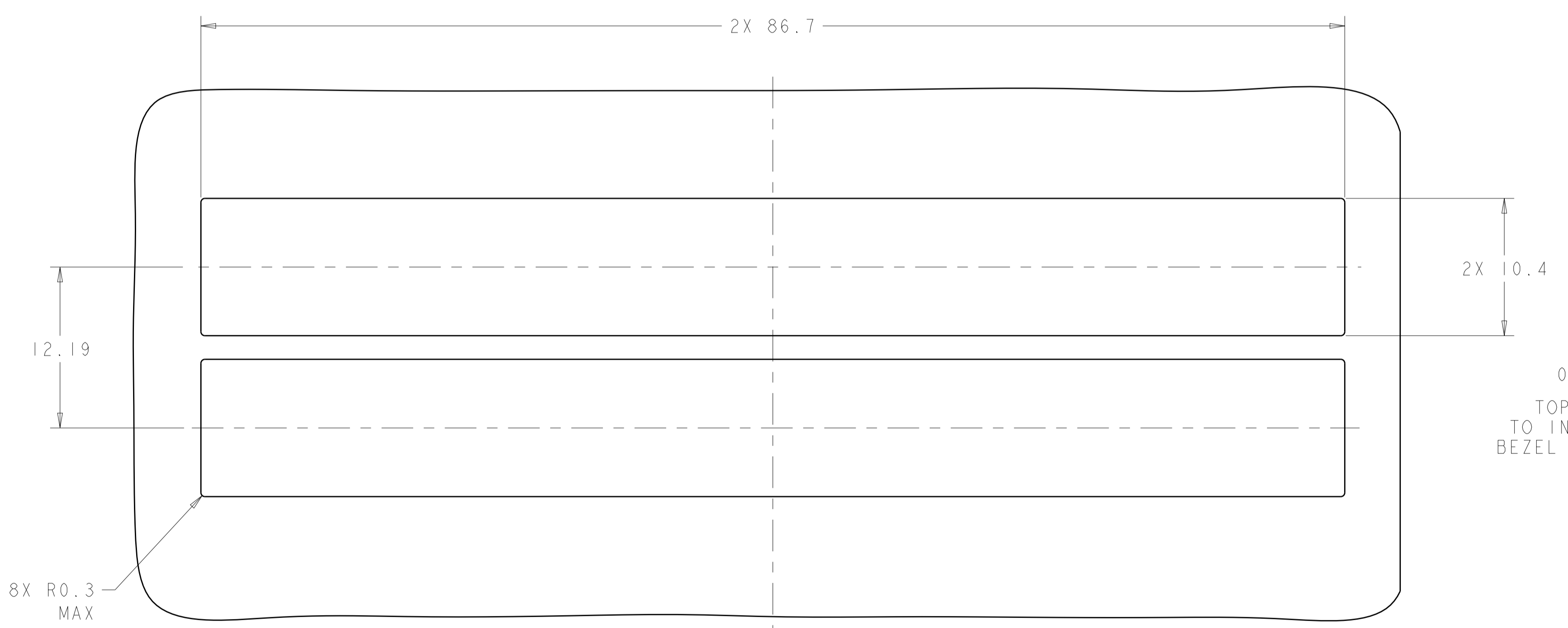
LOC		DIST		REVISIONS			
GP	00	P	LTN	DESCRIPTION	DATE	DMN	APVD
-	-	-	-	SEE SHEET 1	-	-	-



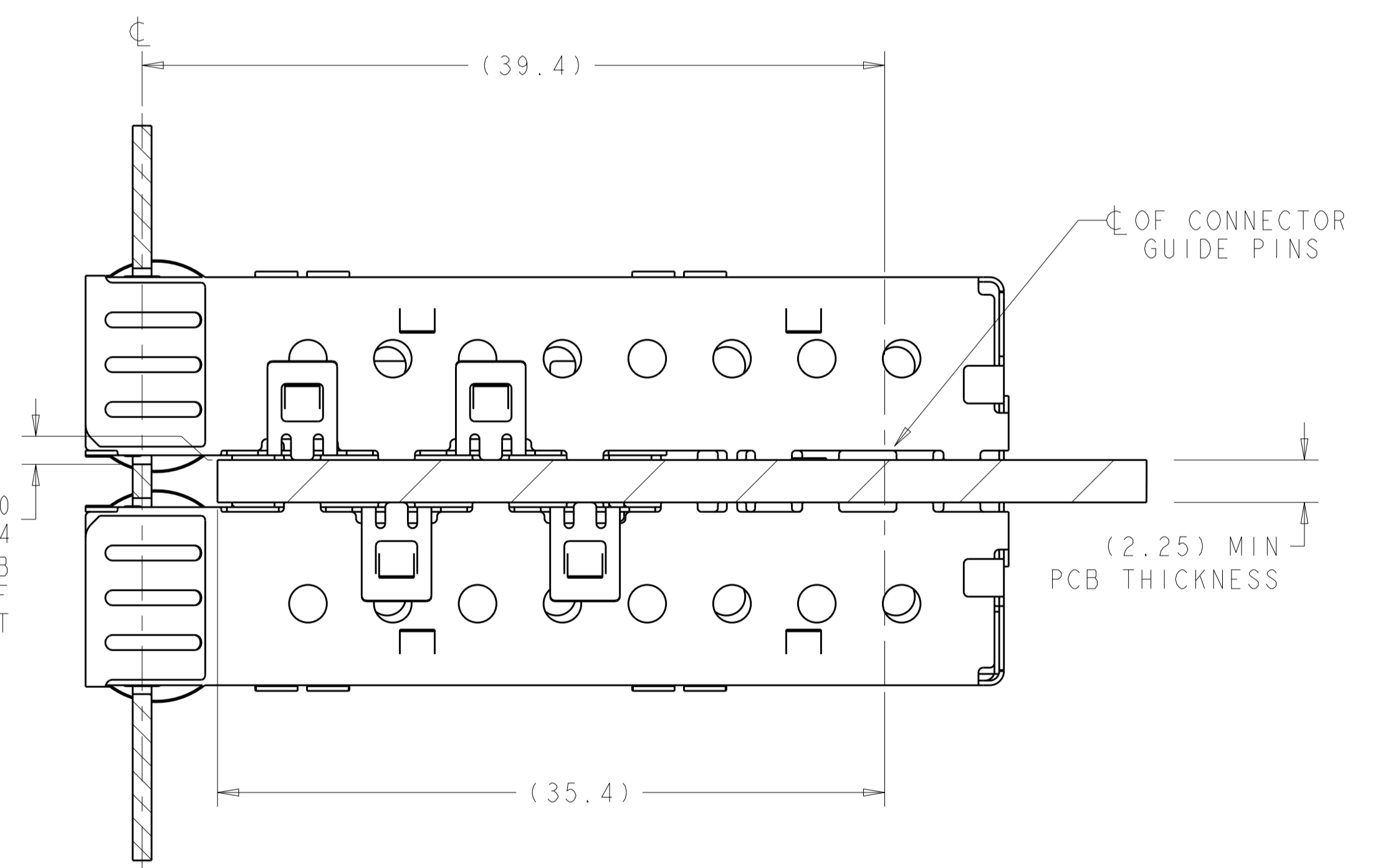
RECOMMENDED BEZEL CUT-OUT
 SINGLE SIDED APPLICATIONS
 SCALE 5:2



2007251-1
 MOUNTED ON PC BOARD
 SHOWN THRU RECOMMENDED BEZEL
 SCALE 4:1



RECOMMENDED BEZEL CUT-OUT
 BELLY TO BELLY APPLICATIONS
 SCALE 4:1

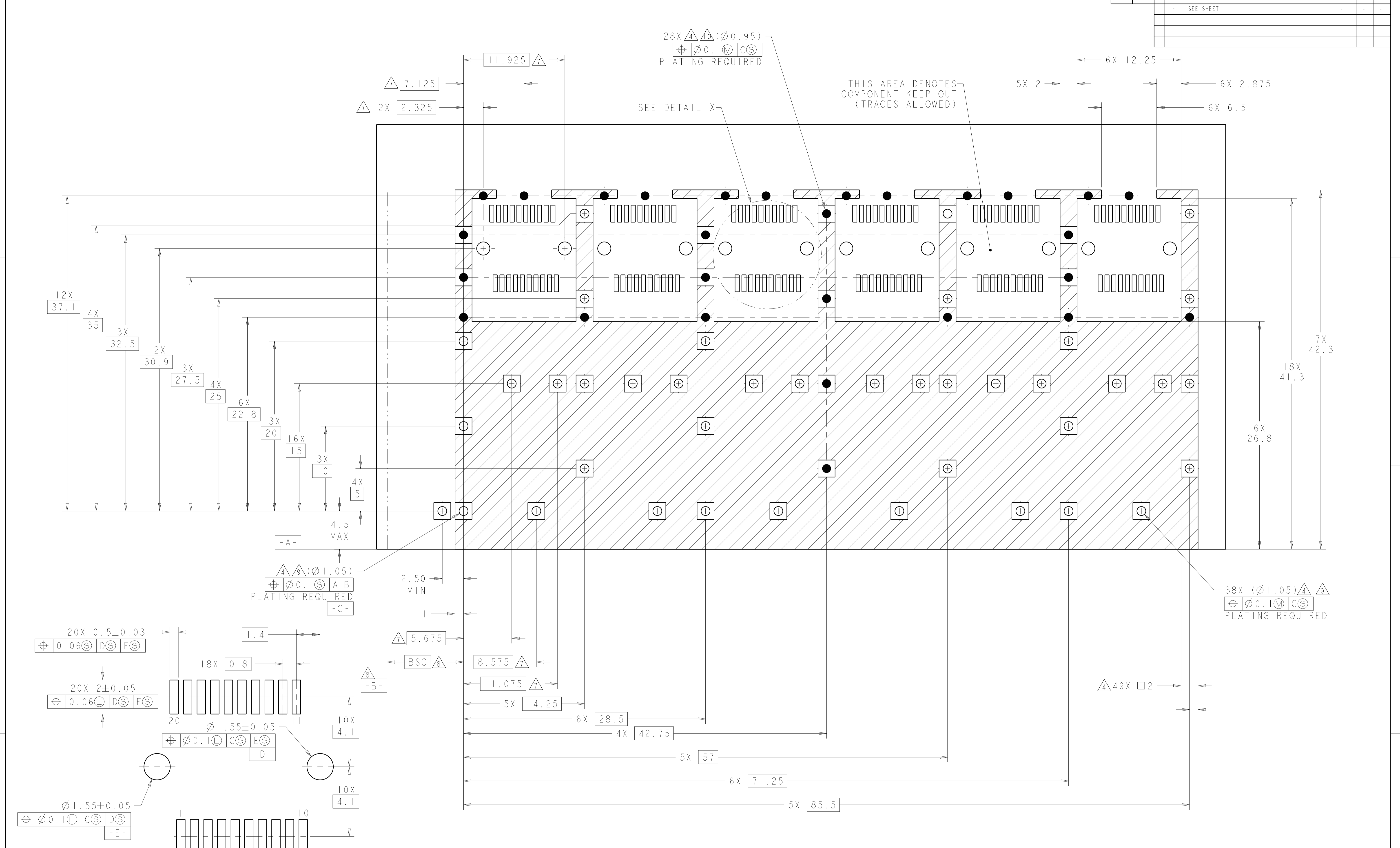


2007251-1
 MOUNTED BELLY TO BELLY ON PC BOARD
 SHOWN THRU RECOMMENDED BEZEL
 SCALE 4:1

THIS DRAWING IS A CONTROLLED DOCUMENT.		DMN	Z. M. BEAM	17JUL2007	TE Connectivity NAME SFP+ 1X6 PRINTED CIRCUIT BOARD BELLY TO BELLY APPLICATIONS
DIMENSIONS:		CHK	M. R. SCHMITT	17JUL2007	
mm		APVD	P. H. WERTZ	17JUL2007	
0 PLC ±0.1 1 PLC ±0.1 2 PLC ±0.1 3 PLC ±0.1 4 PLC ±0.1 ANGLES ±1°		PRODUCT SPEC 108-2364 APPLICATION SPEC 114-13120		SIZE CAGE CODE DRAWING NO A100779C=2007251	
MATERIAL		FINISH		WEIGHT	RESTRICTED TO
				Customer Drawing	SCALE 2:1 SHEET 2 OF 4 REV D

LOC	DIST	REV	DATE	BY	APPV
GP	00				

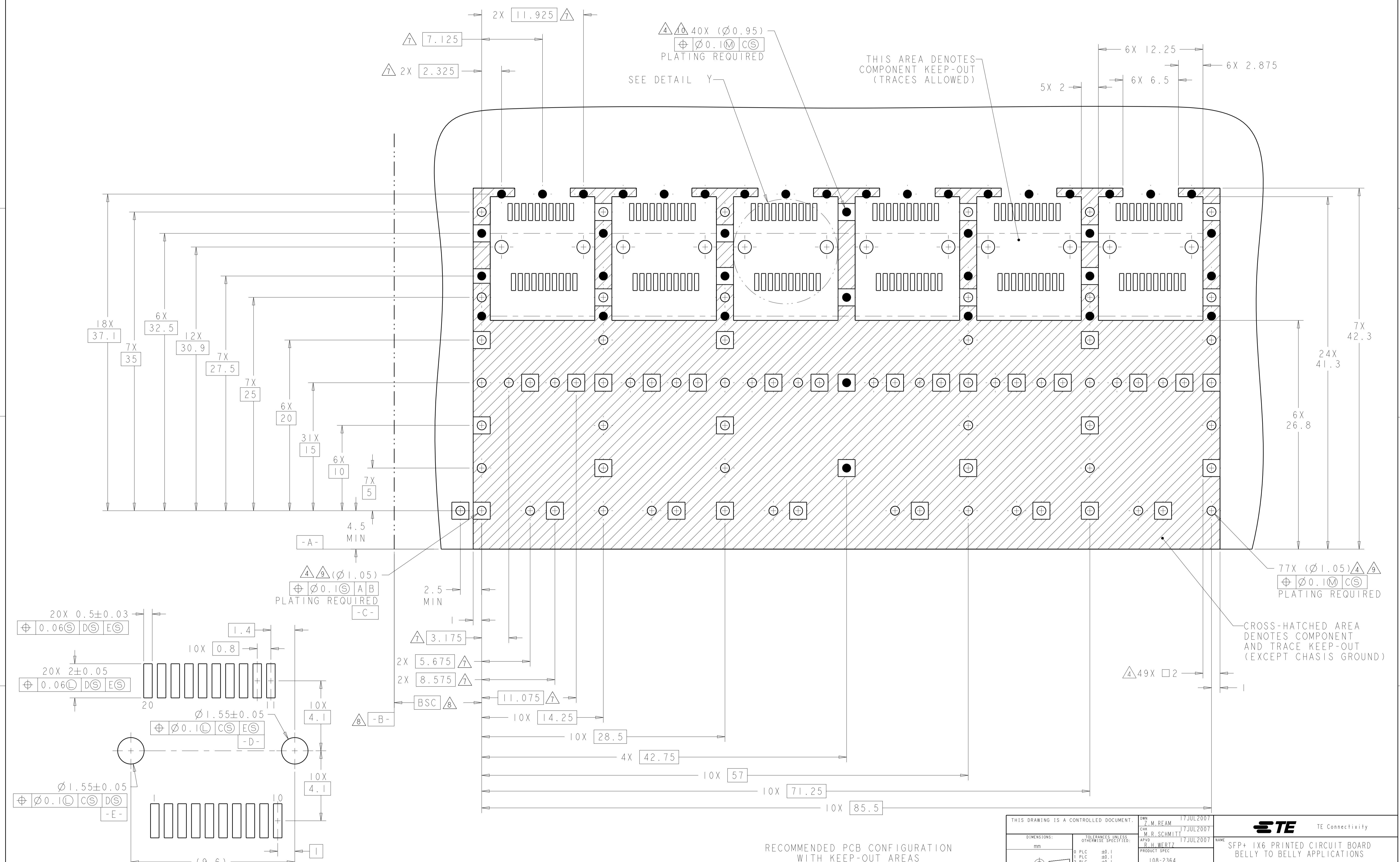
REVISIONS			
NO.	DESCRIPTION	DATE	BY
-	SEE SHEET 1	-	-



RECOMMENDED PCB CONFIGURATION WITH KEEP-OUT AREAS SINGLE SIDED APPLICATIONS Δ

THIS DRAWING IS A CONTROLLED DOCUMENT.		OWN: Z.M.BEAM 17JUL2007	TE Connectivity
DIMENSIONS: mm		CHK: M.R.SCHMITT 17JUL2007	
TOLERANCES UNLESS OTHERWISE SPECIFIED:		APV: B.H.WERTZ 17JUL2007	NAME: SFP+ 1X6 PRINTED CIRCUIT BOARD BELLY TO BELLY APPLICATIONS
0 PLC \pm 0.1 1 PLC \pm 0.1 2 PLC \pm 0.1 3 PLC \pm 0.1 4 PLC \pm 0.1 ANGLES \pm 0.1		PRODUCT SPEC: 108-2364 APPLICATION SPEC: 114-13120	
MATERIAL:	FINISH:	WEIGHT:	SIZE: A100779 CAGE CODE: C=2007251 Customer Drawing
SCALE: 2:1			SHEET: 3 OF 4 REV: D

LOC	DIST	REV	DATE	APPD	
GP	00				
REVISIONS		DESCRIPTION	DATE	DWN	APPD
		SEE SHEET 1			



DETAIL Y
SCALE 10:1

RECOMMENDED PCB CONFIGURATION
WITH KEEP-OUT AREAS
BELLY TO BELLY APPLICATIONS

THIS DRAWING IS A CONTROLLED DOCUMENT.		DWN Z. M. BEAM 17 JUL 2007	TE Connectivity												
DIMENSIONS: mm		CHK M. R. SCHMITT 17 JUL 2007													
TOLERANCES UNLESS OTHERWISE SPECIFIED:		APVD B. H. WERTZ 17 JUL 2007	NAME SFP+ 1X6 PRINTED CIRCUIT BOARD BELLY TO BELLY APPLICATIONS												
<table border="1"> <tr><td>0 PLC</td><td>±0.1</td></tr> <tr><td>1 PLC</td><td>±0.1</td></tr> <tr><td>2 PLC</td><td>±0.1</td></tr> <tr><td>3 PLC</td><td>±0.1</td></tr> <tr><td>4 PLC</td><td>±0.1</td></tr> <tr><td>ANGLES</td><td>±0.1</td></tr> </table>		0 PLC	±0.1	1 PLC	±0.1	2 PLC	±0.1	3 PLC	±0.1	4 PLC	±0.1	ANGLES	±0.1	PRODUCT SPEC 108-2364	SIZE A100779
0 PLC	±0.1														
1 PLC	±0.1														
2 PLC	±0.1														
3 PLC	±0.1														
4 PLC	±0.1														
ANGLES	±0.1														
MATERIAL		APPLICATION SPEC 114-13120	RESTRICTED TO												
FINISH		WEIGHT Customer Drawing	SCALE 2:1												
		Customer Drawing	SHEET 4 OF 4 REV D												