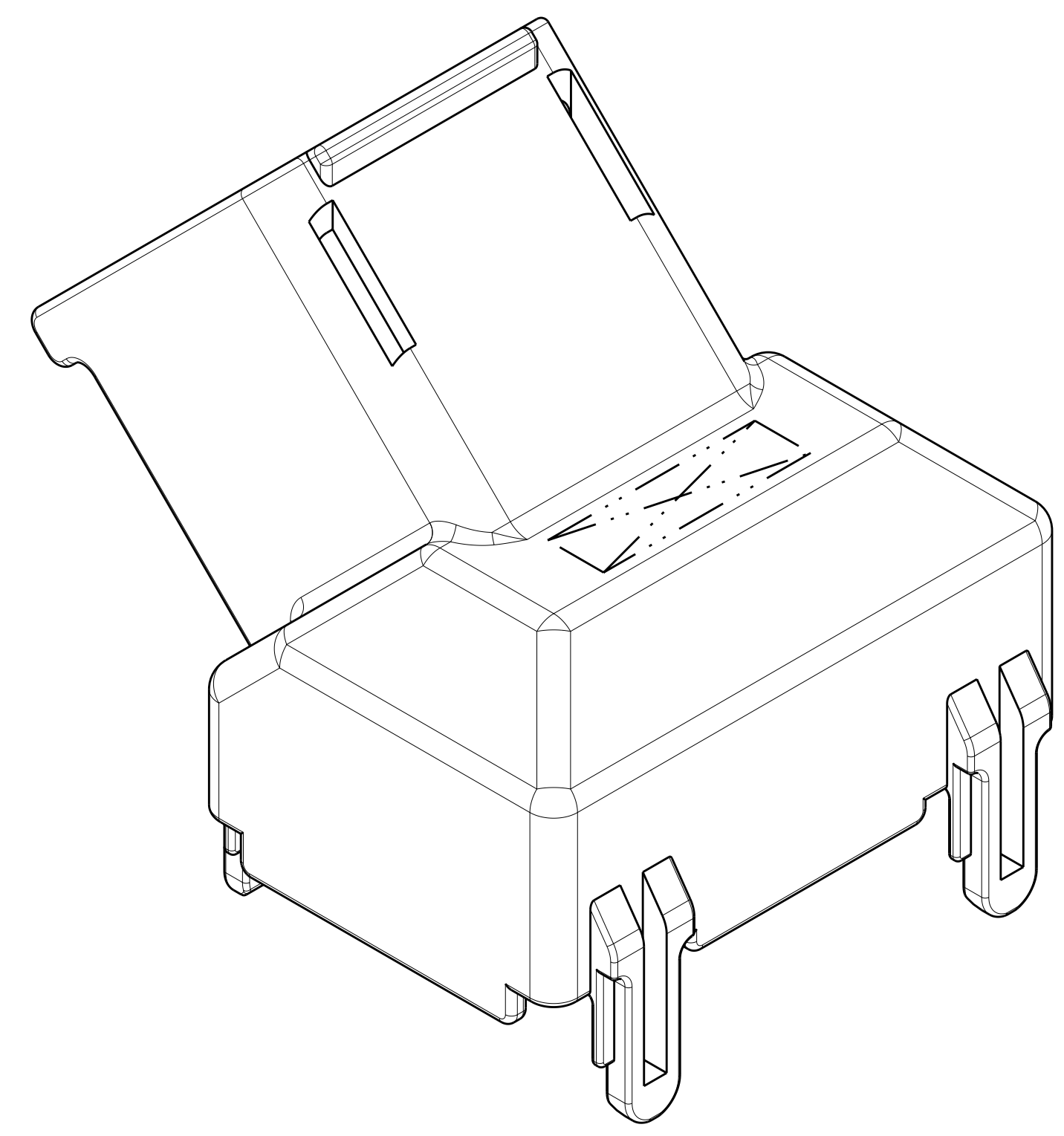
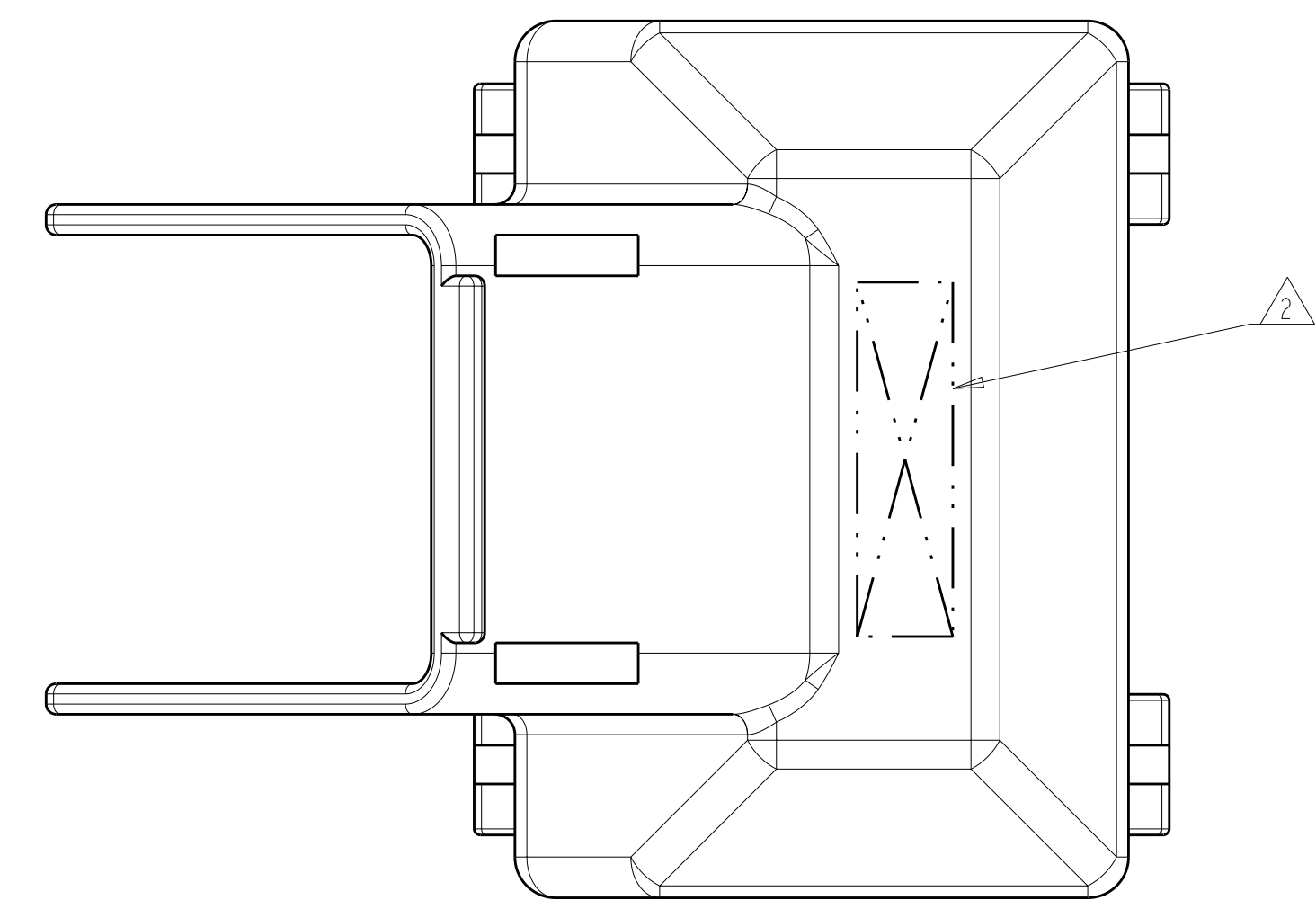
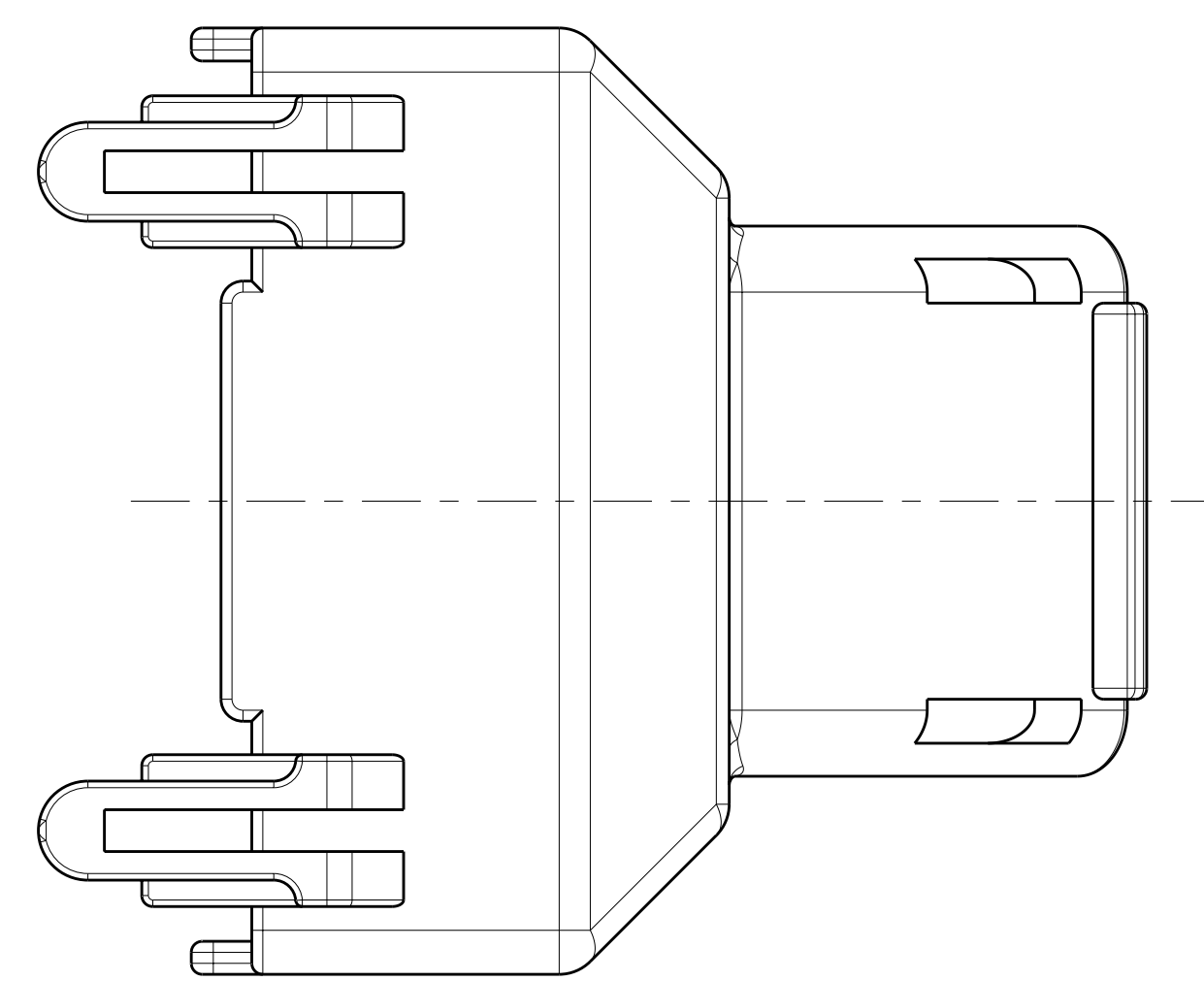
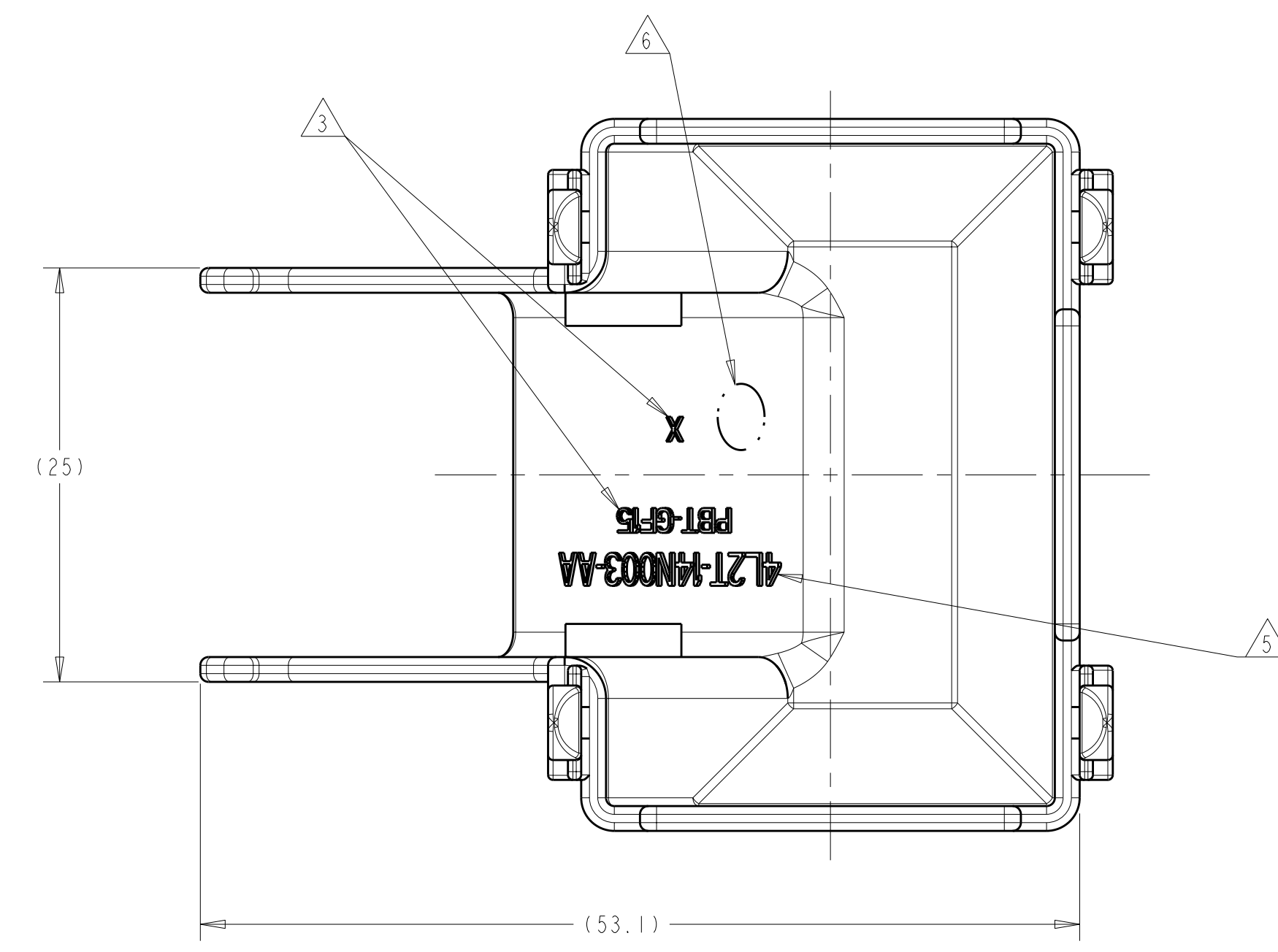
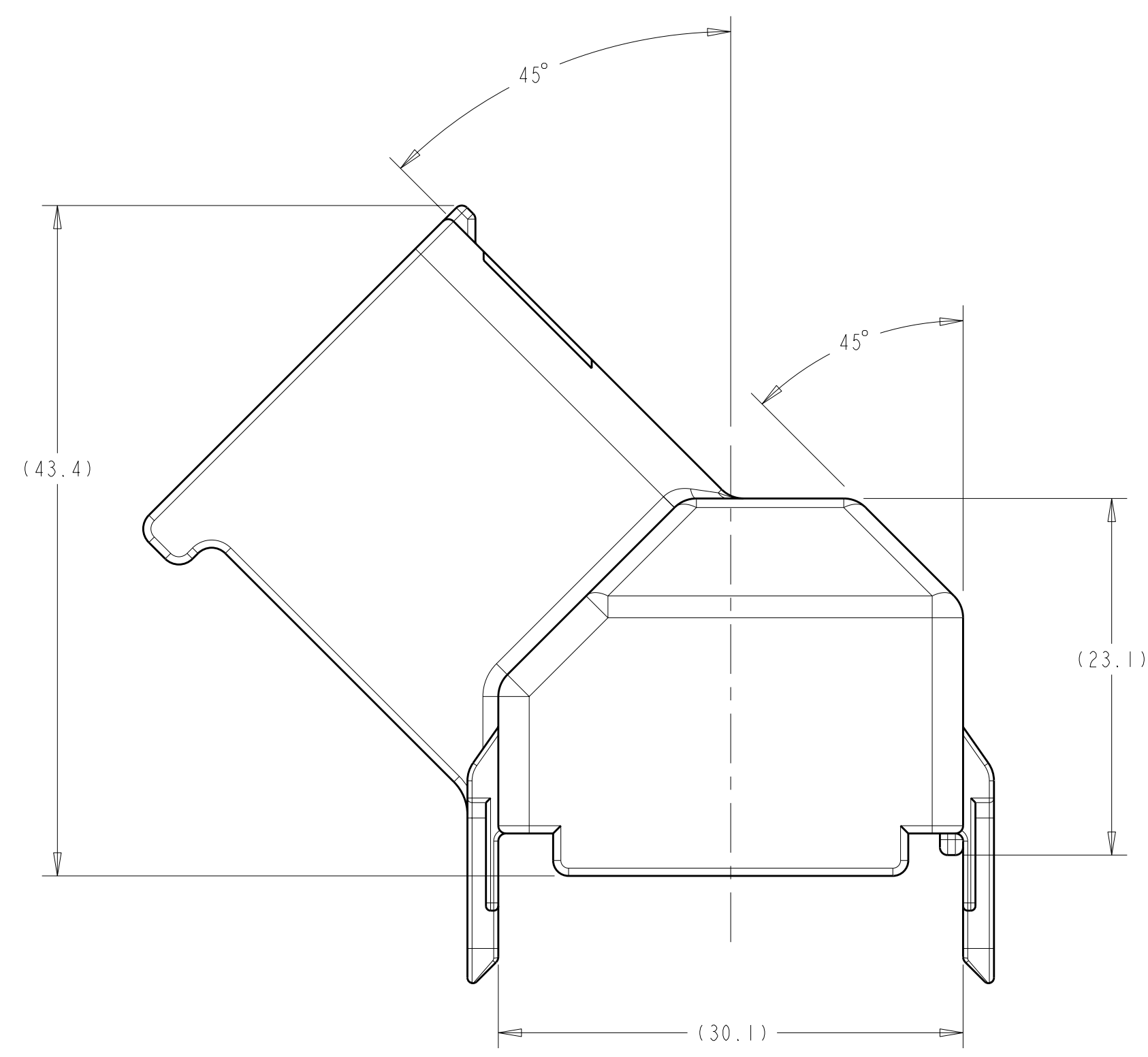


LOC	DIST	REVISIONS				
FX	00	REV	DESCRIPTION	DATE	DWN	APVD
		A	RLSD PER D06-055	23MAR2006	RGV	TJV
		A1	REV PER ECO-10-015982	10AUG2010	HM	DCM



- 1 MATERIAL: PBT-GF15
COLOR: BLACK
- 2 COMPANY LOGO LOCATED APPROXIMATELY AS SHOWN.
- 3 MOLD CAVITY I.D. & RECYCLING CODE >PBT-GF15< AS SHOWN.
- 4. 25% MAXIMUM REGRIND.
- 5 PART NUMBERS APPROXIMATELY AS SHOWN AS STATED IN PART NUMBER TABLE.
- 6 DATE CODE APPROXIMATELY AS SHOWN.



4L2T-14N003-AA	1488572-1
CUSTOMER PART NO.	PART NUMBER

<small>THIS DRAWING IS UNPUBLISHED. RELEASED FOR PUBLICATION. THIS IS SUBJECT TO CHANGE WITHOUT NOTICE. THE USER SHALL BE RESPONSIBLE FOR VERIFYING THE DIMENSIONS AND TOLERANCES OF THE PARTS AND ASSEMBLIES. CONTACT THE SUPPLIER FOR THE LATEST REVISION.</small>		DWN	R. VESTAL	23MAR2006
<small>TOLERANCES UNLESS OTHERWISE SPECIFIED:</small>		CHK	T. VALASEK	23MAR2006
<small>OTHERWISE SPECIFIED:</small>		APVD	T. VALASEK	23MAR2006
DIMENSIONS: mm 0 PLC ± 1 PLC ±0.3 2 PLC ±0.10 3 PLC ± 4 PLC ± ANGLES ±1°		NAME: Tyco Electronics Harrisburg, PA 17105-3608		
MATERIAL: PBT-GF15 FINISH:		PRODUCT SPEC: APPLICATION SPEC: WEIGHT: CUSTOMER DRAWING		
SIZE: A1 CAGE CODE: 00779 DRAWING NO: C=1488572		RESTRICTED TO: SCALE: 3:1 SHEET: 1 OF 1 REV: A1		