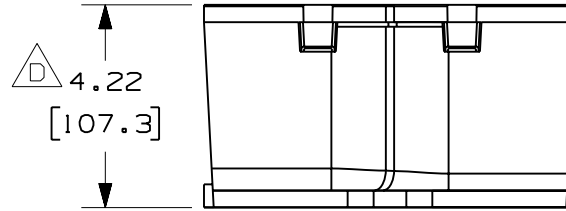
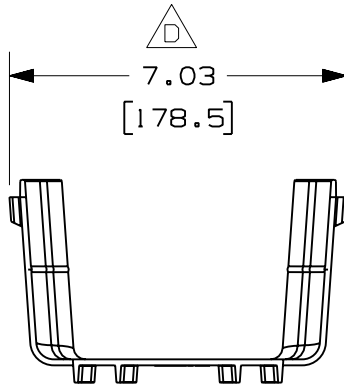
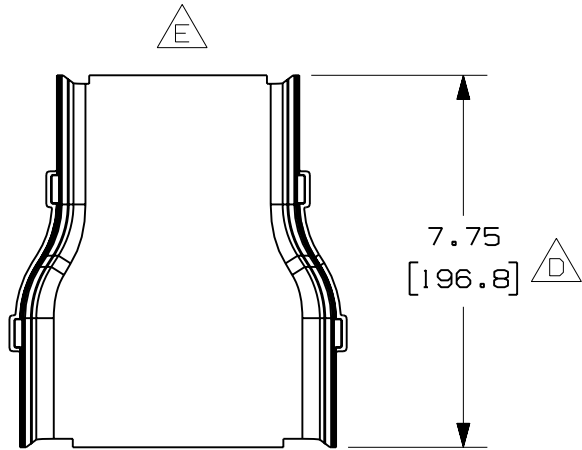


THIS COPY IS PROVIDED ON A RESTRICTED BASIS AND IS NOT TO BE USED IN ANY WAY DETRIMENTAL TO THE INTERESTS OF PANDUIT CORP.

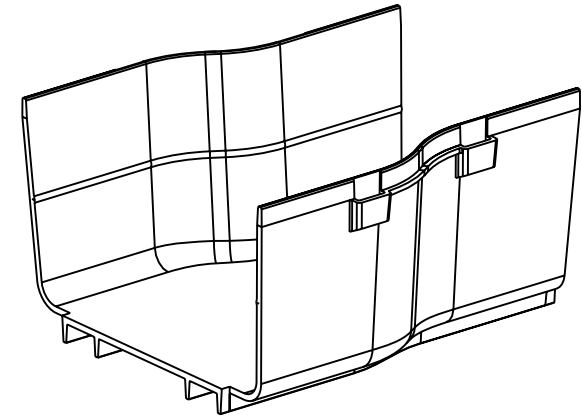


PANDUIT PART NUMBER	WEIGHT
FRRF6FR4	0.57 LB/EACH (259g/EACH)



NOTES:

1. SEE CURRENT CATALOG FOR ADDITIONAL PART SUFFIXES TO INDICATE COLOR AND/OR PACKAGE QUANTITY.
2. THE FIBERRUNNER 6x4 TO FIBERRUNNER 4x4 REDUCER IS DESIGNED WITH A MINIMUM 2" (50.8) BEND RADIUS TO PROTECT FIBER OPTIC CABLES.
3. DIMENSIONS IN PARENTHESES ARE IN METRIC.



ENG. REF.: D37847BY_DC_FRRF6FR4_01.prt

CAD FILENAME/LAYERS

B FRRF6FR4.pdf

PANDUIT CORP TINLEY PARK, ILLINOIS
FIBERRUNNER 6x4 TO FIBERRUNNER 4x4 REDUCER (FRRF6FR4)
A CUSTOMER DRAWING

UNLESS OTHERWISE SPECIFIED, DIMENSIONAL TOLERANCES ARE:
 (.X) ± (.XXX) ±
 (.XX) ± .03 (.8) ANGLES ±

UNLESS OTHERWISE SPECIFIED, ALL DIMENSIONS ARE GIVEN IN INCHES, THIRD ANGLE PROJECTION.

DRAWN BY: JHNU
 DATE: 7-18-01
 CHK'D: HIW

MAT'L:

ABS

SCALE: NONE

DRAWING NO.: 37847-69

DWG SIZE: A

REV	DATE	BY	CHK	DESCRIPTION	ECN	R	CUST	SUP	GMBH
-	-----	---	---	F. REVISED GENERAL NOTES E. REMOVED DIMENSION	-----	--	--		
-	-----	---	---	D. RELOCATED DIMENSIONS C. REVISED PART WEIGHT	-----	--	--		
1	7-13-06	DTP	RN	B. REVISED CAD FILENAME A. REVISED DRAWING TITLE	37847-69	RN	RN		
R	7-18-01	JHNU	SMF	RELEASED TO PRODUCTION	37847-69	HIW	HIW		