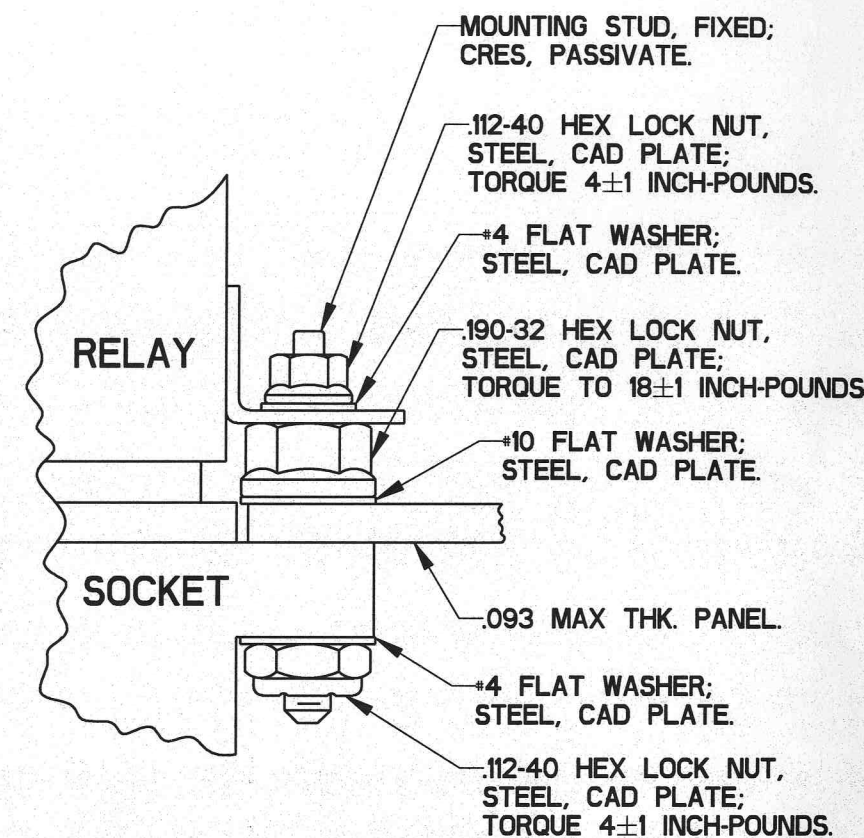
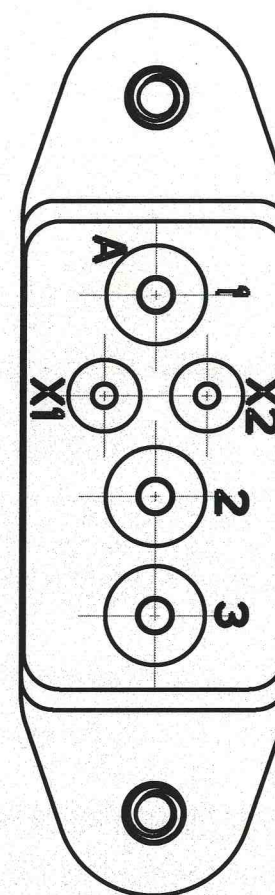
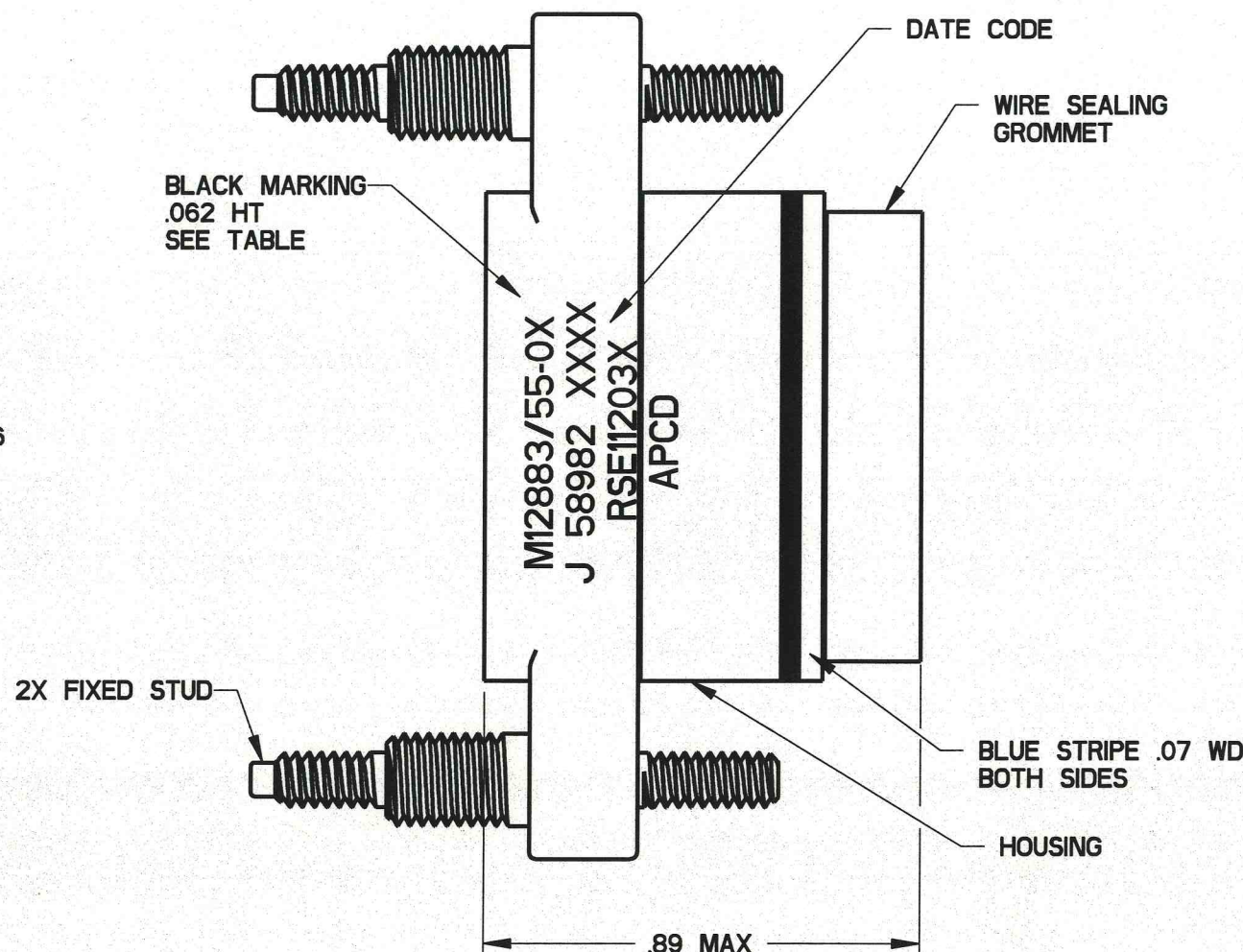
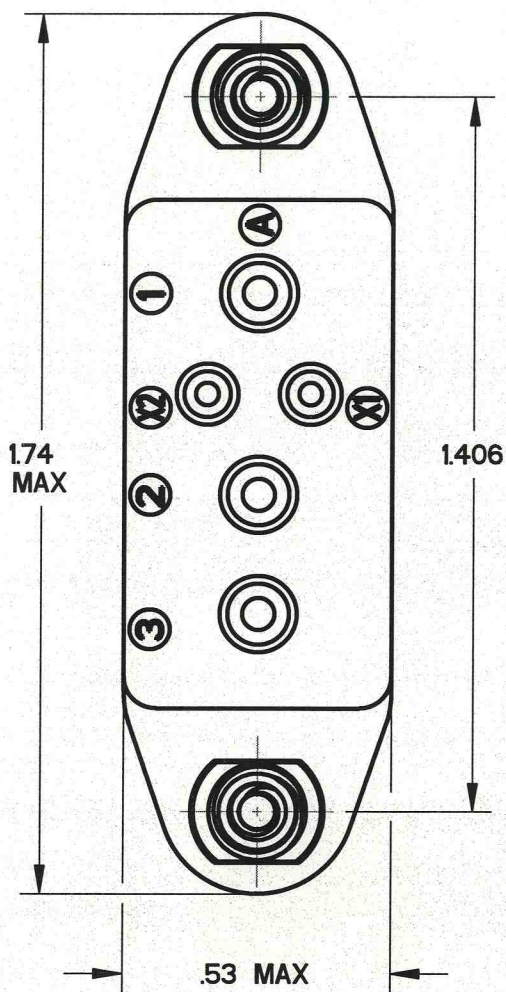


REV	ECN	APP'D
A	6494	<i>DP 3/4/10</i>



**MOUNTING HARDWARE**  
TYP 2 PLACES

RSE112034

RSE112034

**NOTES:**

- CONFORMS TO PERFORMANCE REQUIREMENTS OF MIL-DTL-12883.
- MATERIALS:**  
HOUSING: POLYETHERIMIDE, COLOR: BLUE GREEN.  
GROMMET - SILICONE RUBBER PER A-A-59588, 50±10 DUROMETER, COLOR: RED
- SOCKET CONTACTS CONFORM TO PERFORMANCE REQUIREMENTS OF MIL-C-39029/92.
- COMPLETE MOUNTING HARDWARE SUPPLIED.
- OPERATING TEMPERATURE -70°C TO 125°C.
- CONTACT INSTALLATION TOOLS:**  
\* 12 CONTACT - CRIMP TOOL: M22520/1-01  
POSITIONER: M22520/1-02  
INSERTION/REMOVAL: M81969/14-04  
\* 16 CONTACT - CRIMP TOOL: M22520/1-01  
POSITIONER: M22520/1-02  
INSERTION/REMOVAL: M81969/14-03

RELAY SOCKET P/N		SUPPLIED CONTACTS				MARKING
MILITARY	APCD	SIZE	MIL P/N	APCD P/N	QTY	
M12883/55-01	RSE112034	CONTACTS NOT SUPPLIED				M12883/55-01 J 58982 XXXX RSE112035
	RSE112035	12/12	M39029/92-535	CNS128900	3	
M12883/55-02	RSE112036	16/16	M39029/92-533	CNS126900	2	M12883/55-02 J 58982 XXXX RSE112036
		12/16	M39029/92-536	CNS129900	3	
	RSE112039	CONTACTS NOT SUPPLIED				

<b>DIMENSIONS</b> ANSI Y14.5M UNITS: INCHES Pro/E FILE	<b>TOLERANCES</b> .XX ±0.01 .XXX ±0.005 ANGLES ±2.0°	<b>PROJECTION</b> 	<b>Amphenol Pcd</b> SPECIFICATION DRAWING ENGR M. DiGIACOMO 3/2/2010		<b>TITLE</b> RELAY SOCKET (3) SIZE 12, (2) SIZE 16 M12883/55		
			ORIGINAL 	THIS DOCUMENT CONTAINS PROPRIETARY INFORMATION WHICH IS THE CONFIDENTIAL PROPERTY OF AMPHENOL PCD INC. BEVERLY, MA, USA		CHKD 3/4/10	APPD 3/4/10
			CODE: 58982	SHEET 1 OF 1			