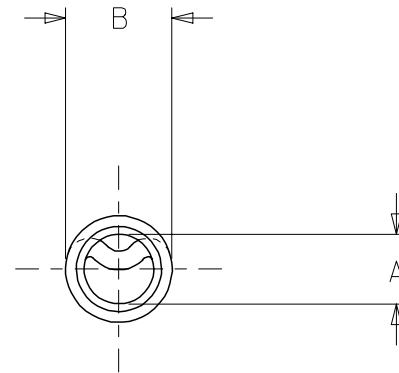
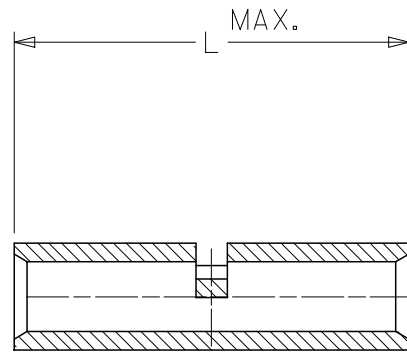
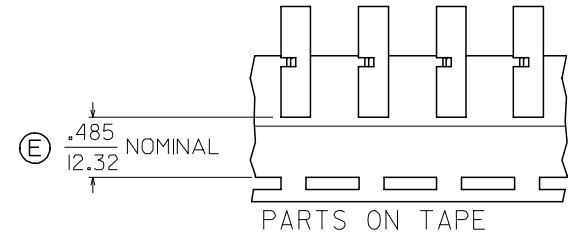


| MATERIAL NO. | ENGINEERING NO. | "L" MAX | "A" MIN [ⓔ] | "B" MAX | PACKAGING |
|--------------|-----------------|------------|----------------------|-----------|--------------|
| 192150028 | CS-346 | .827/21.00 | .139/3.53 | .223/5.66 | LOOSE PIECE |
| 192150132 | CS-352 | .595/15.11 | .139/3.53 | .223/5.66 | |
| 192150030 | CS-346T | .827/21.00 | .139/3.53 | .223/5.66 | TAPE MOUNTED |
| 192150252 | CS-346US | .827/21.00 | .139/3.53 | .223/5.66 | LOOSE PIECE |
| 192150256 | CS-346UST | .827/21.00 | .139/3.53 | .223/5.66 | TAPE MOUNTED |



SALES DRAWING

- NOTES:
 1. MATERIAL: COPPER.
 2. PLATING: ELECTRO-TIN.
 3. ALL DIMENSIONS IN INCHES/ MM.
[ⓔ] 4. PART IS ROHS COMPLIANT.

| CORRECTED DIM. A & ADDED ROHS EC NO: ETC2007-0397 DRW: DRWNEHLE 2007/04/27 CHKD: JMACNEIL 2007/05/09 APPR: JMACNEIL 2007/05/10 | QUALITY SYMBOLS | GENERAL TOLERANCES (UNLESS SPECIFIED) | DIMENSION STYLE IN/MM | SCALE | DESIGN UNITS INCH | THIRD ANGLE PROJECTION | | | | | | | | | | | | | | | | | | | | | | | | | | | | | | | | | | | | | |
|--|--|---|---|-------|-------------------|------------------------|-------|-------|----------|-------|-------|----------|-------|-------|---------|-------|-------|--|----|------|-------|-------|-------|-------|-------|-------|-------|-------|---|----------|------|-----------|----------|------------|------|---------|----------|-------------|------|---------|----------|-------|---|
| | ▽=0 ▽=0 | <table border="1"> <thead> <tr> <th></th> <th>mm</th> <th>INCH</th> </tr> </thead> <tbody> <tr> <td>4 PLACES</td> <td>±----</td> <td>±----</td> </tr> <tr> <td>3 PLACES</td> <td>±----</td> <td>±----</td> </tr> <tr> <td>2 PLACES</td> <td>±----</td> <td>±----</td> </tr> <tr> <td>1 PLACE</td> <td>±----</td> <td>±----</td> </tr> </tbody> </table> | | mm | INCH | 4 PLACES | ±---- | ±---- | 3 PLACES | ±---- | ±---- | 2 PLACES | ±---- | ±---- | 1 PLACE | ±---- | ±---- | <table border="1"> <thead> <tr> <th>mm</th> <th>INCH</th> </tr> </thead> <tbody> <tr> <td>±----</td> <td>±----</td> </tr> <tr> <td>±----</td> <td>±----</td> </tr> <tr> <td>±----</td> <td>±----</td> </tr> <tr> <td>±----</td> <td>±----</td> </tr> </tbody> </table> | mm | INCH | ±---- | ±---- | ±---- | ±---- | ±---- | ±---- | ±---- | ±---- | <table border="1"> <thead> <tr> <th>DRAWN BY</th> <th>DATE</th> </tr> </thead> <tbody> <tr> <td>JLOMASTRO</td> <td>05/01/07</td> </tr> <tr> <th>CHECKED BY</th> <th>DATE</th> </tr> <tr> <td>RDEROSS</td> <td>05/01/07</td> </tr> <tr> <th>APPROVED BY</th> <th>DATE</th> </tr> <tr> <td>RDEROSS</td> <td>05/01/07</td> </tr> </tbody> </table> | DRAWN BY | DATE | JLOMASTRO | 05/01/07 | CHECKED BY | DATE | RDEROSS | 05/01/07 | APPROVED BY | DATE | RDEROSS | 05/01/07 | TITLE | BUTT CONNECTOR SEAMLESS 12-10 AWG WIRE SIZE MOLEX INCORPORATED |
| | | mm | INCH | | | | | | | | | | | | | | | | | | | | | | | | | | | | | | | | | | | | | | | | |
| | 4 PLACES | ±---- | ±---- | | | | | | | | | | | | | | | | | | | | | | | | | | | | | | | | | | | | | | | | |
| 3 PLACES | ±---- | ±---- | | | | | | | | | | | | | | | | | | | | | | | | | | | | | | | | | | | | | | | | | |
| 2 PLACES | ±---- | ±---- | | | | | | | | | | | | | | | | | | | | | | | | | | | | | | | | | | | | | | | | | |
| 1 PLACE | ±---- | ±---- | | | | | | | | | | | | | | | | | | | | | | | | | | | | | | | | | | | | | | | | | |
| mm | INCH | | | | | | | | | | | | | | | | | | | | | | | | | | | | | | | | | | | | | | | | | | |
| ±---- | ±---- | | | | | | | | | | | | | | | | | | | | | | | | | | | | | | | | | | | | | | | | | | |
| ±---- | ±---- | | | | | | | | | | | | | | | | | | | | | | | | | | | | | | | | | | | | | | | | | | |
| ±---- | ±---- | | | | | | | | | | | | | | | | | | | | | | | | | | | | | | | | | | | | | | | | | | |
| ±---- | ±---- | | | | | | | | | | | | | | | | | | | | | | | | | | | | | | | | | | | | | | | | | | |
| DRAWN BY | DATE | | | | | | | | | | | | | | | | | | | | | | | | | | | | | | | | | | | | | | | | | | |
| JLOMASTRO | 05/01/07 | | | | | | | | | | | | | | | | | | | | | | | | | | | | | | | | | | | | | | | | | | |
| CHECKED BY | DATE | | | | | | | | | | | | | | | | | | | | | | | | | | | | | | | | | | | | | | | | | | |
| RDEROSS | 05/01/07 | | | | | | | | | | | | | | | | | | | | | | | | | | | | | | | | | | | | | | | | | | |
| APPROVED BY | DATE | | | | | | | | | | | | | | | | | | | | | | | | | | | | | | | | | | | | | | | | | | |
| RDEROSS | 05/01/07 | | | | | | | | | | | | | | | | | | | | | | | | | | | | | | | | | | | | | | | | | | |
| DESCRIPTION | DRAFT WHERE APPLICABLE MUST REMAIN WITHIN DIMENSIONS | MATERIAL NO. SEE CHART | DOCUMENT NO. SD-19215-003 | | | | | | | | | | | | | | | | | | | | | | | | | | | | | | | | | | | | | | | | |
| REV | | SIZE B | THIS DRAWING CONTAINS INFORMATION THAT IS PROPRIETARY TO MOLEX INCORPORATED AND SHOULD NOT BE USED WITHOUT WRITTEN PERMISSION | | | | | | | | | | | | | | | | | | | | | | | | | | | | | | | | | | | | | | | | |
| | | | | | | | | | | | | | | | | | | | | | | | | | | | | | | | | | | | | | | | | | | | |