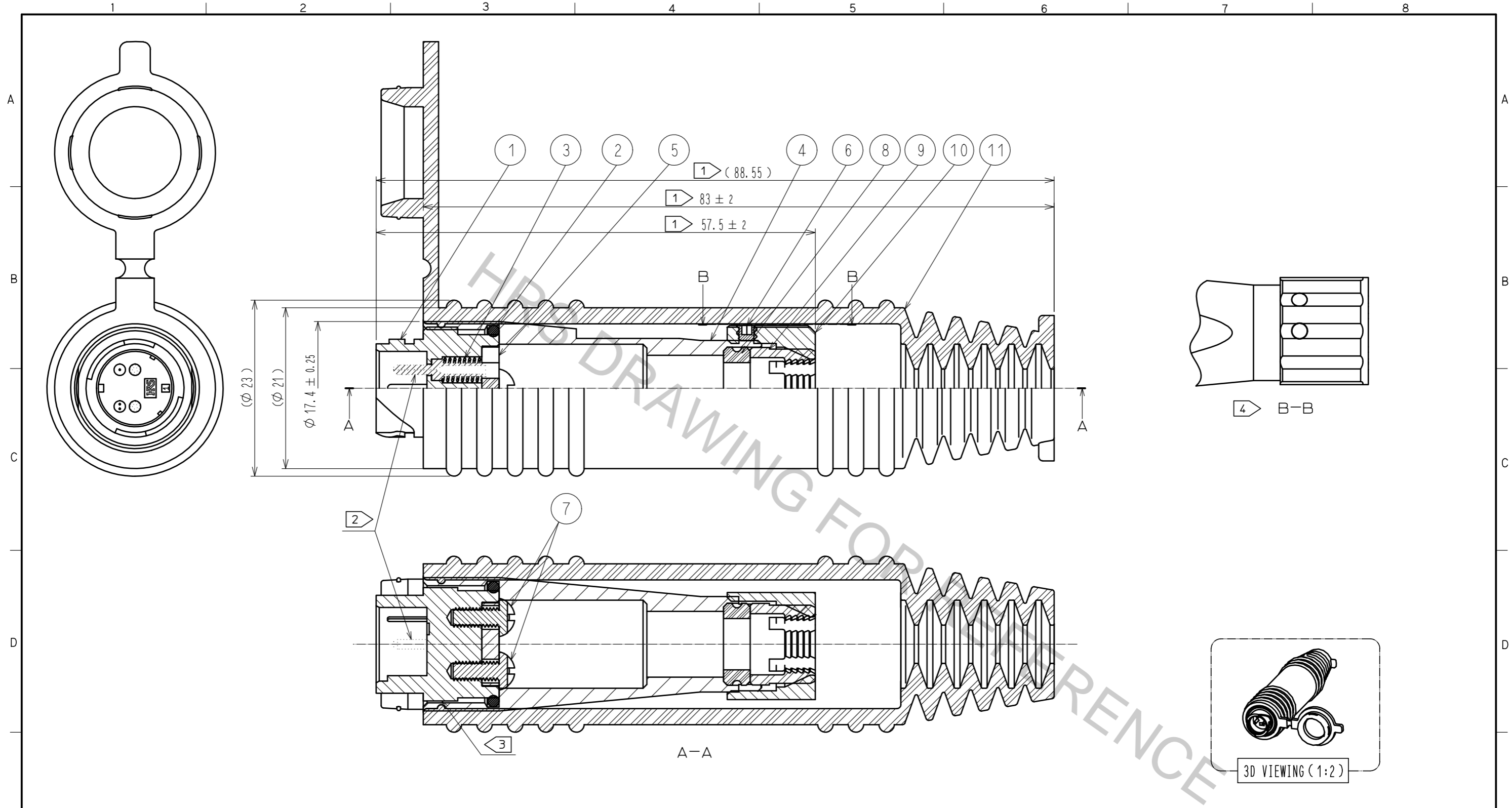


Aug.1.2018 Copyright 2018 HIROSE ELECTRIC CO., LTD. All Rights Reserved.  
 In case that the application demands a high level of reliability, such as automotive,  
 please contact a company representative for further information.



NOTE

- 1 These are indicates the dimensions of after assembling
- 2 Ferrules are not included in this product. MU Ferrules are sold separately.
- 3 Apply adhesive to around the threads of R-shell-J(part No.1) before tighten Hood(part No.4).
- 4 Clamp ring has two holes for fixing hexagon socket screw.  
Tighten the screw at visible either hole with tightening torque 25N·cm. or either hole if both holes are visible.

6	STAINLESS STEEL				
5	PBT RESIN	COLOR:BLACK	11	SILICONE RUBBER	COLOR:BLACK
4	ALUMINUM ALLOY	ANODIC OXIDE COATING	10	ZINC ALLOY DIE CASTING	CHROME PLATING(COLOR:BLACK)
3	PIANO WIRE	ZINC PLATING * BAKING	9	PA RESIN	COLOR:WHITE
2	NITRILE BUTADIENE RUBBER	COLOR:BLACK	8	CHLOROPRENE RUBBER	COLOR:BLACK
1	ZINC ALLOY DIE CASTING	CHROME PLATING(COLOR:BLACK)	7	STAINLESS STEEL	
NO.	MATERIAL	FINISH . REMARKS	NO.	MATERIAL	FINISH . REMARKS
UNITS		SCALE	COUNT	DESCRIPTION OF REVISIONS	
mm		2 : 1		DESIGNED	CHECKED
<b>HRS</b> HIROSE ELECTRIC CO., LTD.		APPROVED : MT. SHIBUTANI	18.02.02	DRAWING NO. EDC-177477-31-00	
		CHECKED : FS. YOSHIDA	18.02.02	PART NO. MF10B-WJ6. 5CH01-0200(31)	
		DESIGNED : TY. SATO	18.02.02	CODE NO. CL709-1035-5-31	
		DRAWN : MK. INOUE	18.02.02		