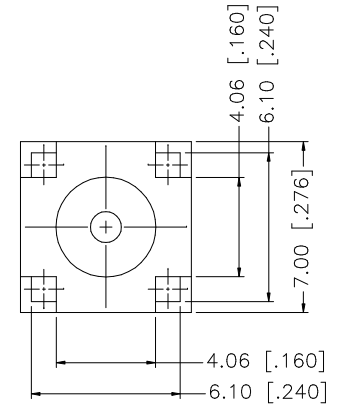
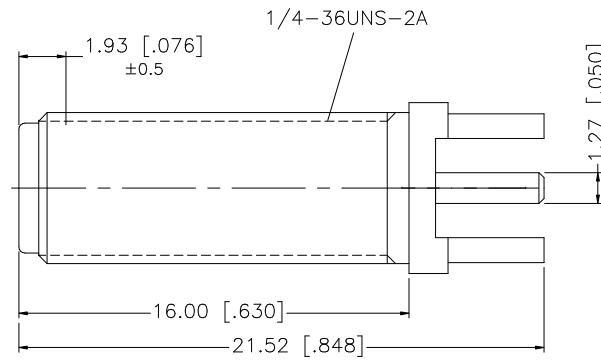
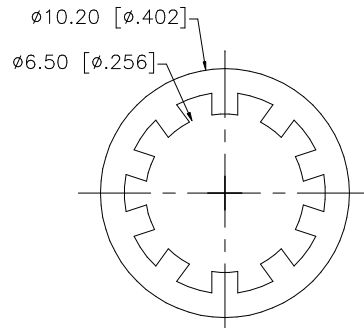
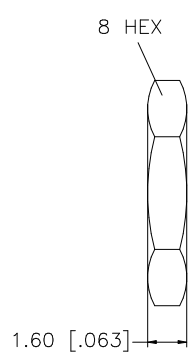
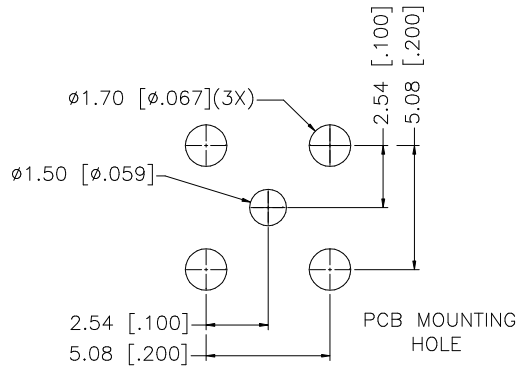


REV.	DATE	DESCRIPTION
A	01/30/04	UPDATE DRAWING FORMAT



NOTE:

1. MAX. PANEL THICKNESS = 7.5mm

REV.	DATE	DESCRIPTION							
A	01/30/04	UPDATE DRAWING FORMAT							
8									
7									
6									
5	HEX NUT	BRASS							
4	LOCK WASHER	BRASS							
3	CONTACT PIN	BER. COPPER							
2	INSULATOR	TEFLON							
1	BODY	BRASS							
	DESCRIPTION	MATERIAL							
		FINISH							
		QTY							
UNLESS OTHERWISE SPECIFIED DIMENSIONS ARE IN MILLIMETERS. DIMENSIONS IN [ ] ARE IN INCHES AND FOR CUSTOMER REFERENCE ONLY. UNLESS OTHERWISE SPECIFIED TOLERANCES FOR MILLIMETERS ARE: 0.5 - 8mm $\pm 0.20$ mm 8 - 30mm $\pm 0.40$ mm 30 - 120mm $\pm 0.50$ mm UNLESS OTHERWISE SPECIFIED TOLERANCES FOR INCHES ARE: .020 - .315 = $\pm 0.007$ " .315 - 1.180 = $\pm 0.015$ " 1.180 - 4.724 = $\pm 0.020$ "			APPROVALS DRAWN G.R.S. CHECKED ISSUED SHEET 1 OF 1	DATE 01/30/04	<b>Amphenol Connex</b> PART DESCRIPTION SMA BULKHEAD P.C. MOUNT JACK PART NO. 132291	DWG. NO. 132291.DWG	REV. A	SIZE A	SCALE NA
DO NOT SCALE DRAWING			CAD FILE C:/132/132291.DWG						