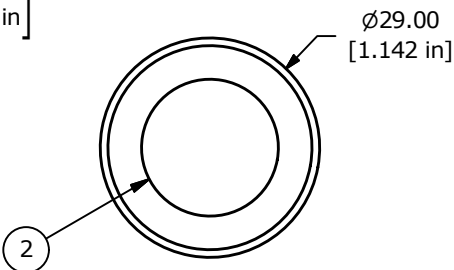
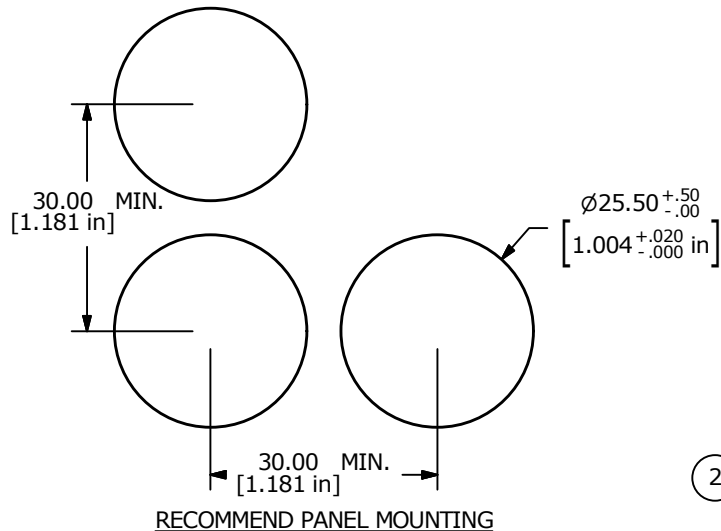


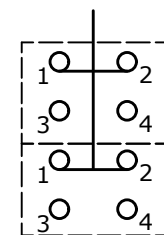
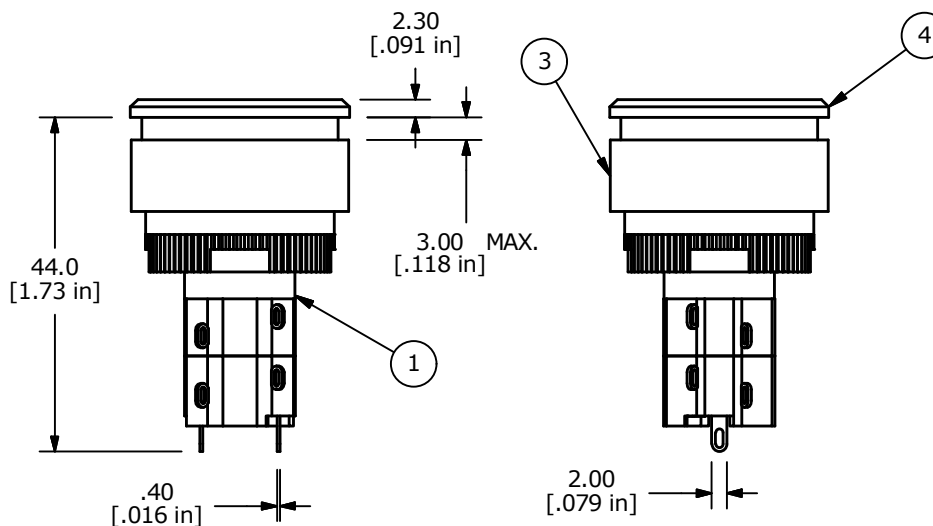
▲ Parts List

ITEM	QTY	PART NUMBER	DESCRIPTION
1	1	F060603	LASEEV12
2	1	F060202	25 MM GRN LENS
3	1	F051705	30MM FLUSH MOUNT RETAINER
4	1	F051704	30MM FLUSH MOUNT BEZEL
5	1	F050419	5000419 LED 12VDC GRN



NOTES:

1. ALL DIMENSIONS IN MM [INCH].
2. GENERAL TOLERANCE: 0.0 \pm 0.4
0.00 \pm 0.25
3. TERM. NOS. FOR REF. ONLY.
4. RATING: 5A @250VAC
8A @125VAC
.2A @250VDC
6A @24VDC
5. INSULATION: 1,000 M Ω MIN.
6. DIELECTRIC STRENGTH: 2000V FOR 1 MIN.
7. SEALED TO IP65.
8. TRAVEL: 3.0MM FULL TRAVEL, 2.0MM LATCH
9. ELECTRICAL LIFE: >50,000 CYCLES
10. OPERATING TEMP: -25C TO +55C
11. PANEL THICKNESS: 0.5MM TO 3.0MM
- ▲12. LAMP VOLTAGE: LED 12V DC GREEN
13. ▲ DENOTES CRITICAL PARAMETER.
14. PACKAGE: BOX/10 PCS PER.
15. 2002/95/EC (ROHS) COMPLIANT



a ○ ○ ○ b (+)
DPDT

▲ CONTACT CONFIGURATION

C	22273	UPDATED NOTE #12	4/15/16	MJR
B	21592	CORRECT ITEM 1 IN PARTS LIST	9/23/14	EBP
A	17409	RELEASED FOR PRODUCTION	6/27/2007	TN
REV	PCR NO	DESCRIPTION	DATE	BY



TITLE LASEEV32JGRNGRN				
SCALE 1:1	DATE 6/27/2007	DR TN	DWG XF0727P	REV C