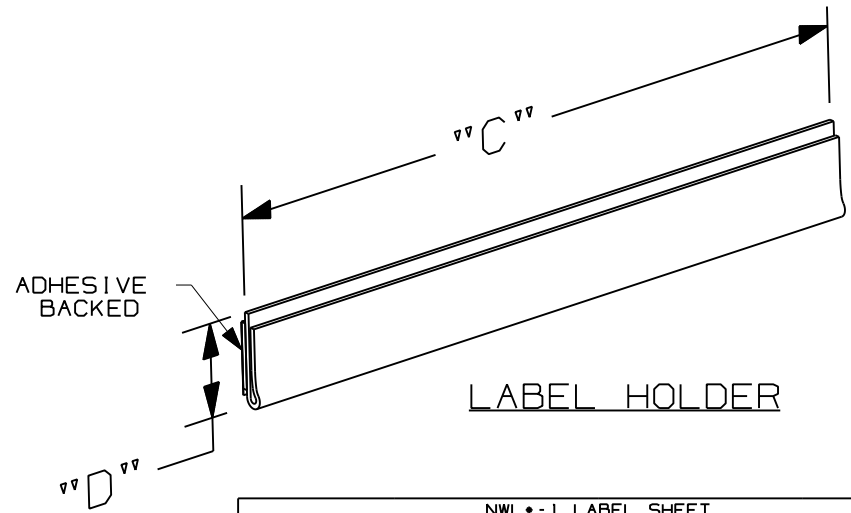
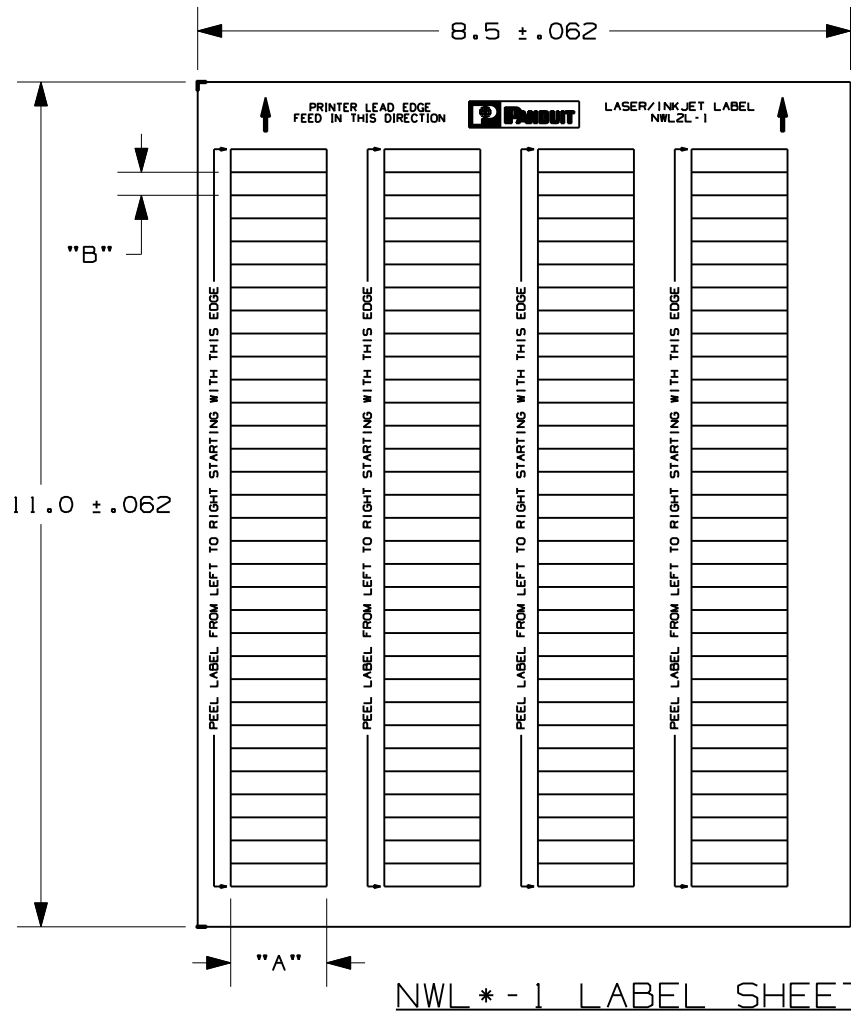


THIS COPY IS PROVIDED ON A RESTRICTED BASIS AND IS NOT TO BE USED IN ANY WAY DETRIMENTAL TO THE INTERESTS OF PANDUIT CORP.



NWL*-1 LABEL SHEET			
PANDUIT PART NO.	"A"	"B"	CUSTOMER DRAWING NO.
NWL2L-1	1.25 (31.8)	.50 (12.7)	C10812
NWL2-1	1.25 (31.8)	.30 (7.62)	C10810
NWL4-1	2.62 (66.5)	.30 (7.62)	C10813
NWL6-1	3.90 (99.1)	.30 (7.62)	C10813

LABEL HOLDERS					
PANDUIT PART NO.	LABEL PART	LABEL QTY.	HOLDER "C"	HOLDER "D"	HOLDER QTY.
NWL2L-KIT	NWL2L	5 SHEET	1.255 +/- .06	.550 +/- .032	380
NWL2-KIT	NWL2	3 SHEET	1.255 +/- .06	.350 +/- .032	380
NWL4-KIT	NWL4	7 SHEET	2.625 +/- .07	.350 +/- .032	336
NWL6-KIT	NWL6	7 SHEET	3.855 +/- .07	.350 +/- .032	336

NWL* - 1 LABEL SHEET

CAD FILENAME/LAYERS 100617GR-DC-C10811/00A

PANDUIT CORP. TINLEY PARK, ILLINOIS

CUSTOMER DRAWING
NWL*-KIT FOR LABEL HOLDER AND LABEL SHEET

UNLESS OTHERWISE SPECIFIED,
DIMENSIONAL TOLERANCES ARE:
(.X) ± .12 (.XXX) ± .025
(.XX) ± .062 ANGLES ±

UNLESS OTHERWISE SPECIFIED,
ALL DIMENSIONS ARE GIVEN
IN INCHES, THIRD ANGLE PROJECTION.

DRAWN BY RVU	MAT'L: CLIP- CLEAR VINYL LABEL- WHITE POLYESTER	SCALE NTS
DATE 12/01/09	CHK'D	DRAWING NO. C10811
		DWG A SIZE

REV	DATE	BY	CHK	DESCRIPTION	ECN	R	CUST	SUP
0	12/1/09	RVU		DRAWING RELEASE.	5918	R		