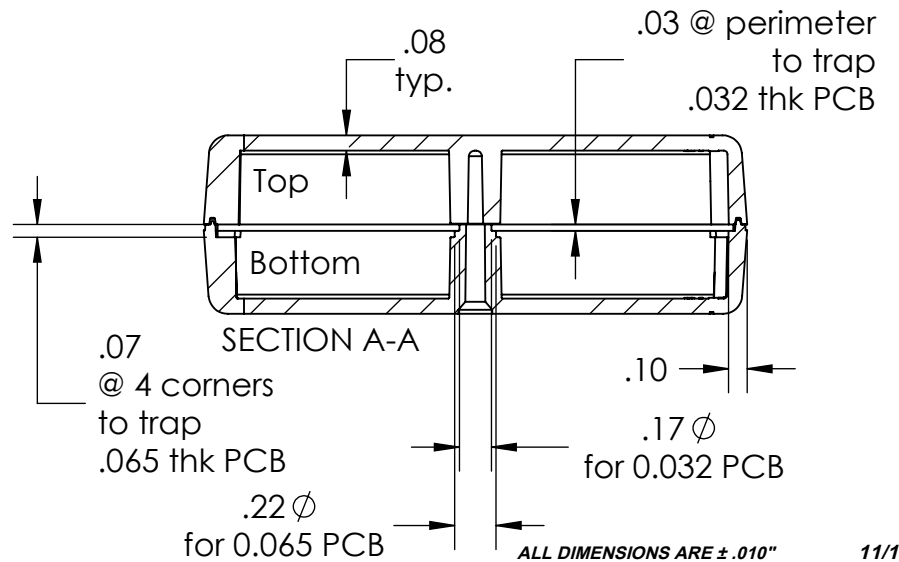
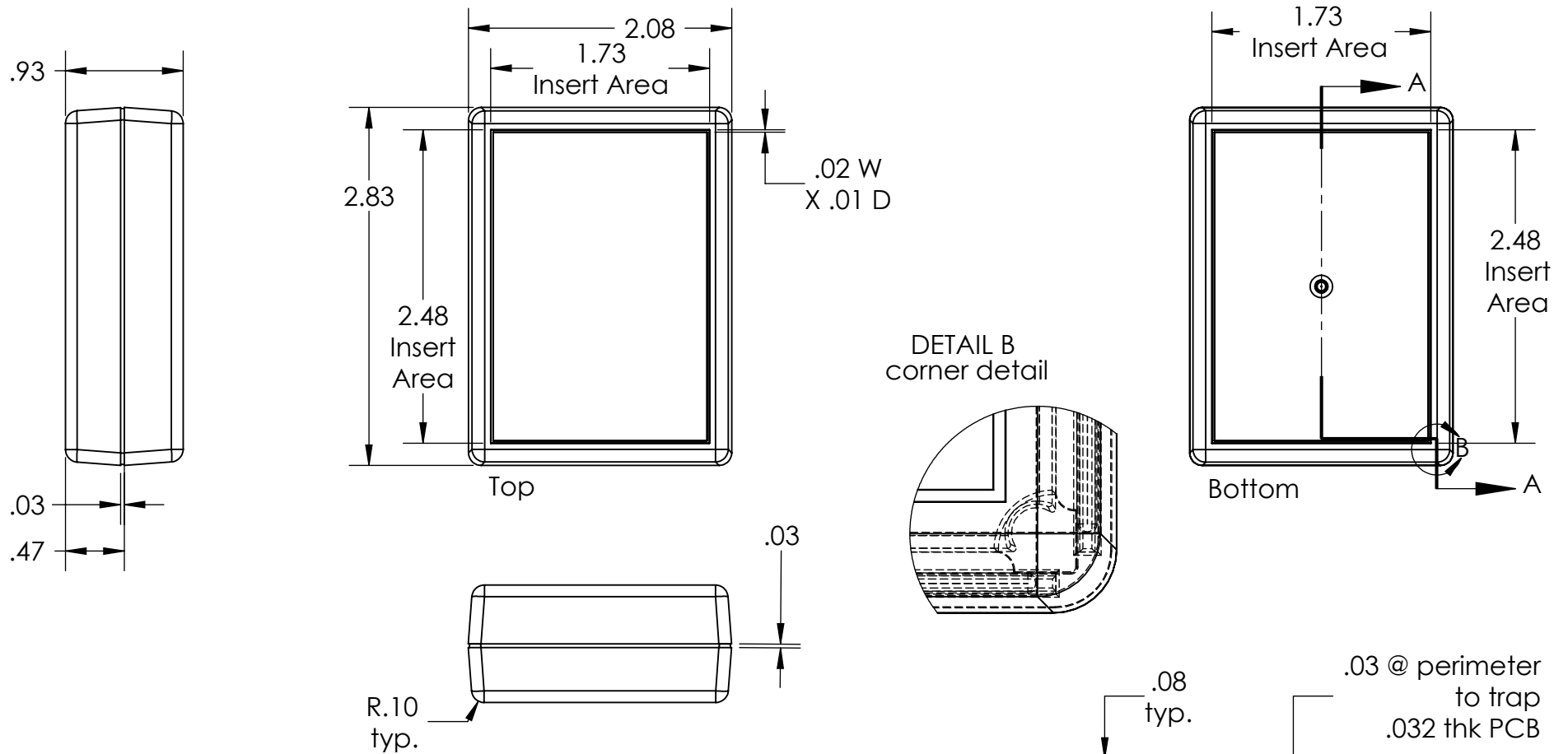


NOTES:

1) When machine or I-plates modifications are required, use the center of the enclosure to dimension.

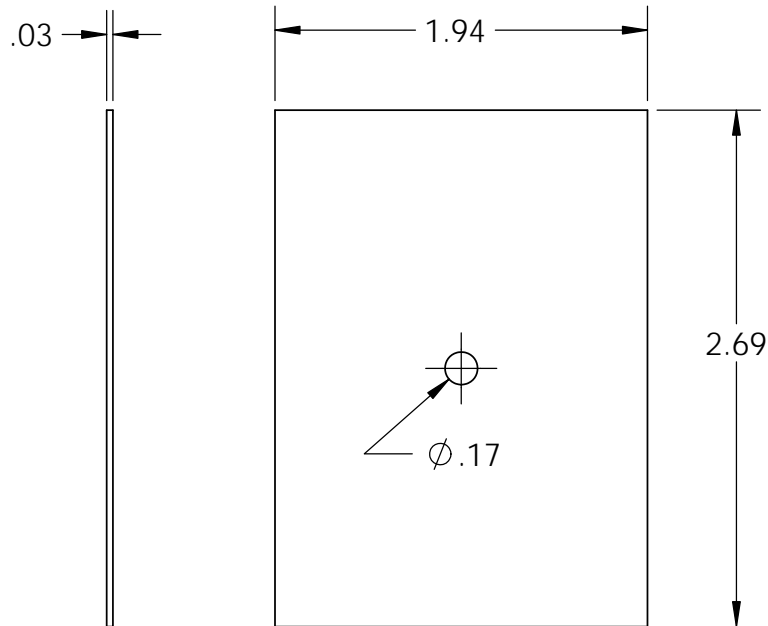


Enclosure can hold either a 0.032" PCB or a 0.063 PCB
 PCB dimensions are: (PCB drawings on page 2)
 Maximum PCB dimensions"
 0.032 PCB 2.69 X 1.94
 0.065 PCB 2.63 X 1.88

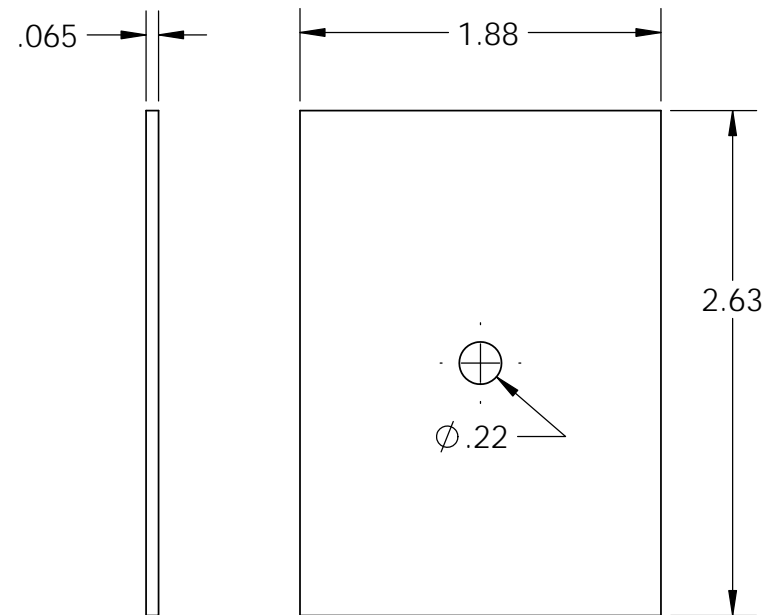
| PART NO. | DESCRIPTION | ACCESSORIES | |
|----------|----------------|-------------|-------------|
| | | PART NO. | DESCRIPTION |
| 1013 | PLASTIC TOP | 55 | KEY HOLDER |
| 1014 | PLASTIC BOTTOM | 1030 | Pocket Clip |
| 6007 | SCREW(1) | | |

SERPAC CIRCUIT BOARD C9

Electronic Enclosures



.032 board



.065 board

NOTES:
These are suggested dimensions.
Plastic parts have a ± 0.010 " manufacturing tolerance.