

MODEL:

PDU3MV6L2120B

3-Phase Metered Rackmount PDU



**208V
3-Phase Input**



**L21-20P
Plug**



**208V and 120V
Single-Phase
Output**



27 Outlets



**5.7kW Load
Capacity**



**Digital Load
Meter**

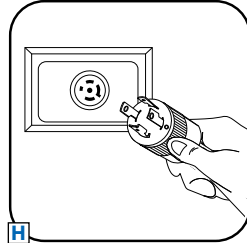


**0U
Rackmount**



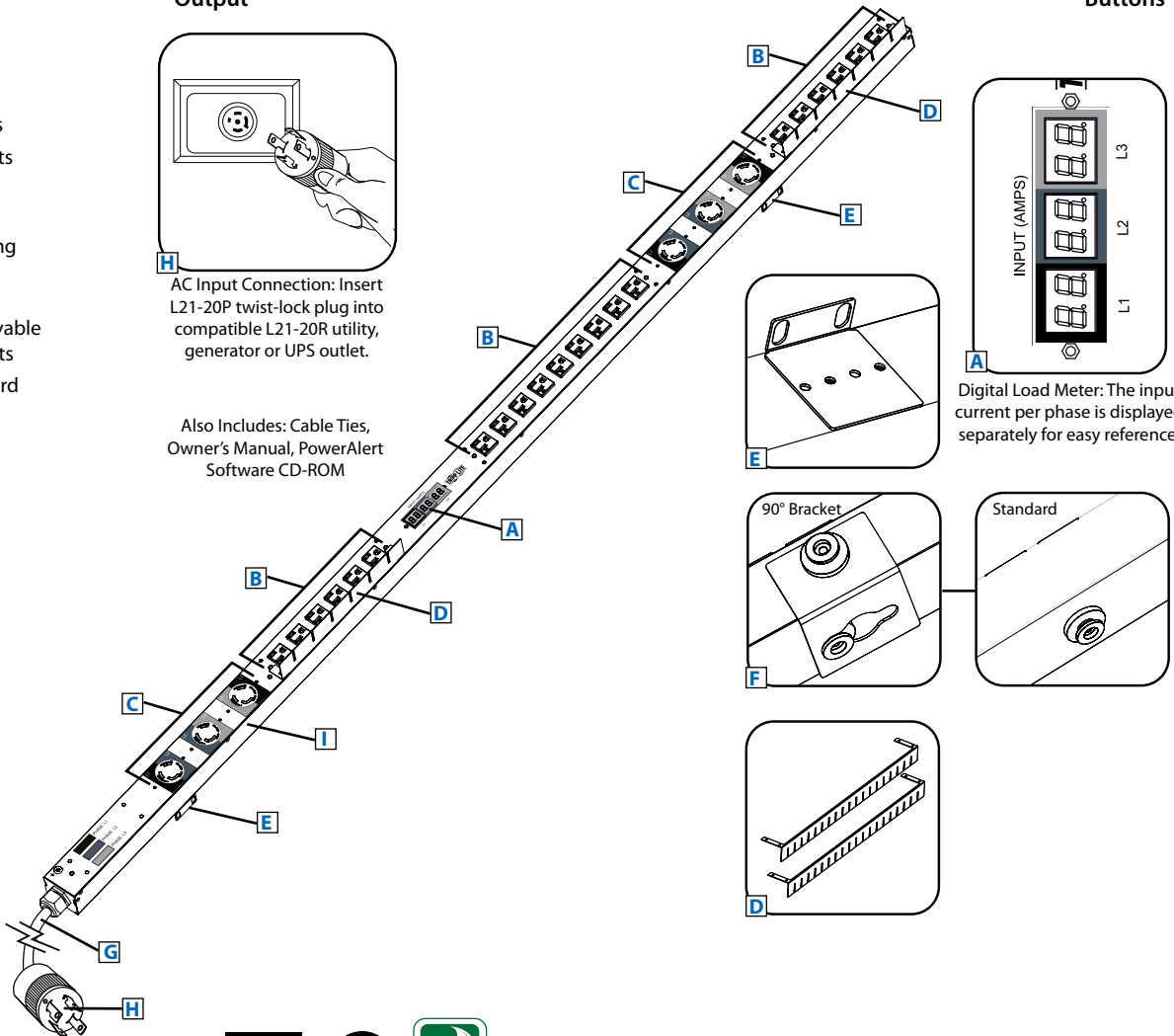
**Toolless
Mounting
Buttons**

- A** Digital Load Meter
- B** NEMA 5-20R Outlets
- C** NEMA L6-20R Outlets
- D** Removable Cord Retention Brackets
- E** Removable Mounting Brackets
- F** Toolless Mounting Buttons with Removable 90° Rotation Brackets
- G** 6-ft. Input Power Cord
- H** L21-20P Twist-Lock Input Plug
- I** Durable Metal Case



AC Input Connection: Insert L21-20P twist-lock plug into compatible L21-20R utility, generator or UPS outlet.

Also Includes: Cable Ties, Owner's Manual, PowerAlert Software CD-ROM



Digital Load Meter: The input current per phase is displayed separately for easy reference.

Specifications

Model	PDU3MV6L2120B
Voltage	208V 3-Phase Input/ 208V and 120V Single-Phase Output
Frequency	50/60Hz
Load Capacity	5.7kW
Input Plug	L21-20P
Input Cord Length	6 ft.
Outlets	27 (21 5-15/20R / 6 L6-20R)
Primary Mounting Option	0U (Vertical) Rackmount
Unit Weight & Dimensions	12.6 lbs / 70 x 1.93 x 2.2 in. <i>See next page for detailed unit measurements.</i>
Certifications	Tested to UL 60950-1 (US & Canada), NOM (Mexico), FCC Class A

Tripp Lite has a policy of continuous improvement. Specifications are subject to change without notice.

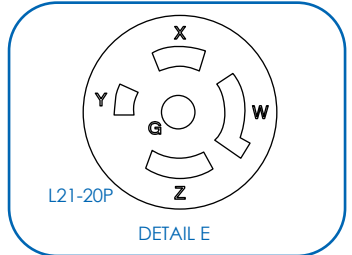
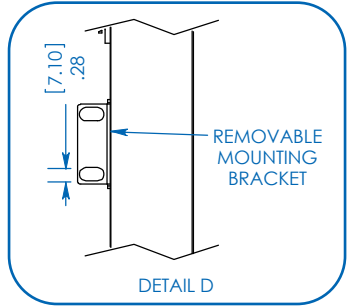
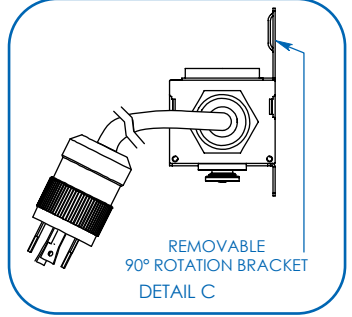
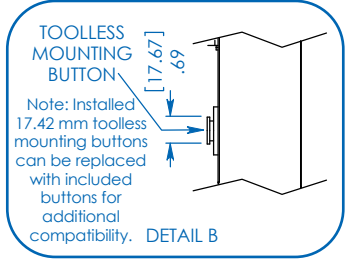
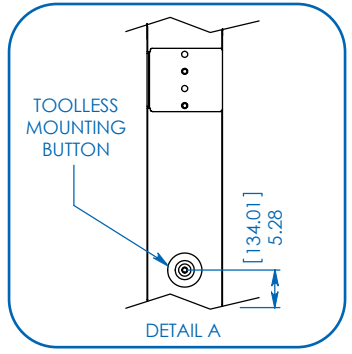
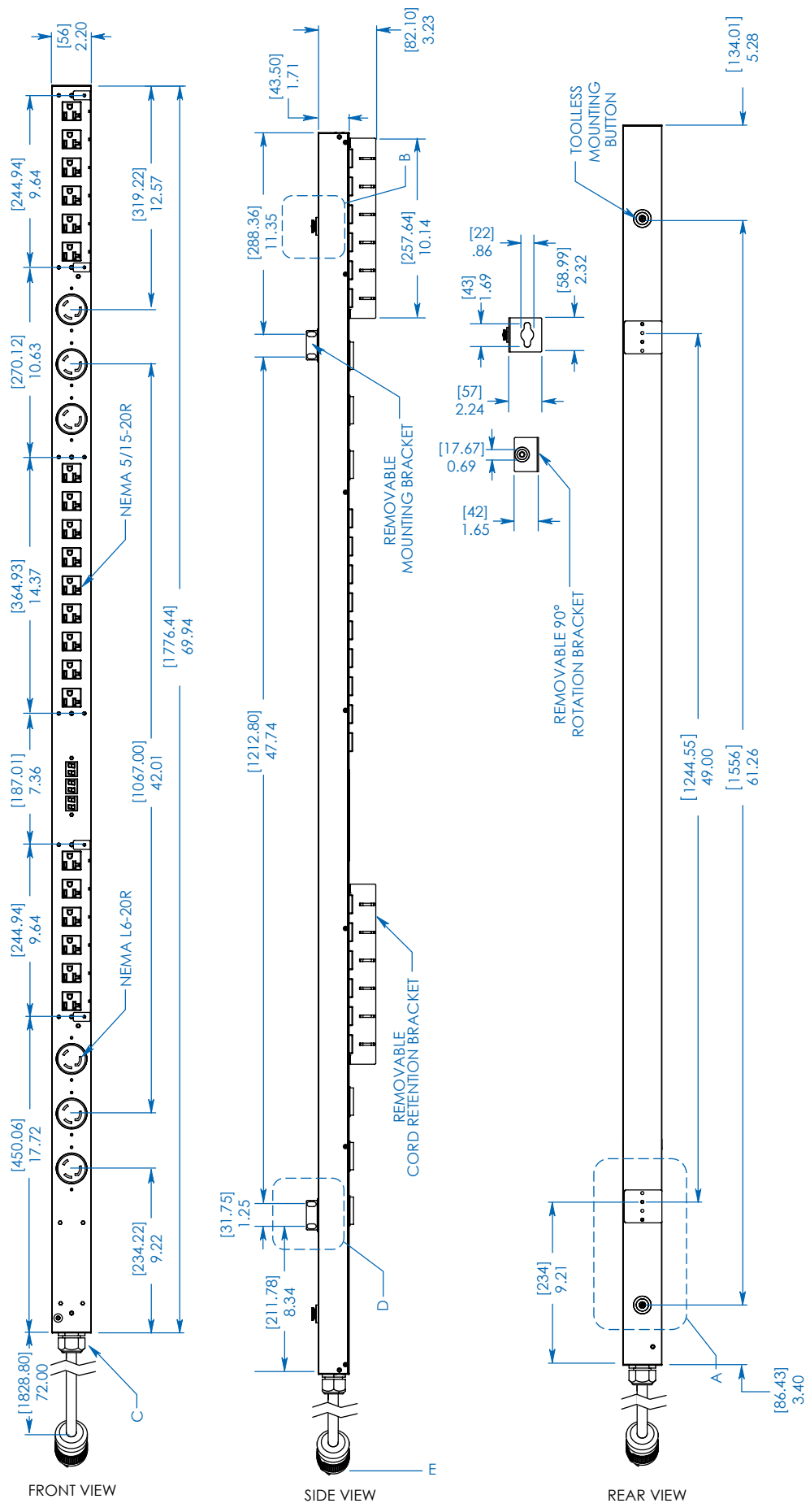
- Distributes power to 27 outlets
- Displays input current for each phase in real time
- Perfect for rackmount server, network and telecom applications

SEE NEXT PAGE FOR DETAILED UNIT MEASUREMENTS



1111 W. 35th Street
Chicago, IL 60609 USA
773.869.1234
www.tripplite.com





Dimensions: [mm] INCHES

Tripp Lite has a policy of continuous improvement. Specifications are subject to change without notice.

MODEL:
PDU3MV6L2120B



1111 W. 35th Street
Chicago, IL 60609 USA
773.869.1234
www.tripplite.com