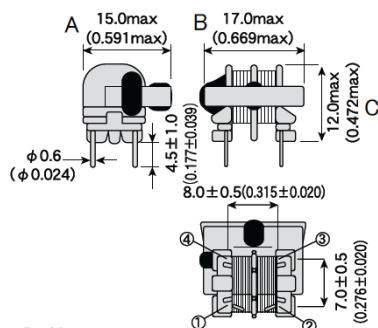


Leaded Common Mode Choke Coils for DC and Signal Lines

TLF9UBH203WK1



Unit : mm (inch)

■ Features

- Item Summary
20 mH, 0.18 A, 15.0x17.0x12mm
- Lifecycle Stage
Mass Production
- Standard packaging quantity (minimum)
Bulk 500pcs

■ Products characteristics table

No. of Lines	2
Impedance (reference values) (min)	150 kΩ at 500kHz
Common Mode Inductance	20 mH +100/-10%
Case Size (mm)	15.0x17.0
DC Resistance (max)	6.5 Ω
Rated Current (max)	0.18 A
Rated Voltage (max)	50 V
Operating Temp. Range	-25 to +105 °C (Including-self-generated heat)
Insulation Resistance (min)	100 MΩ
RoHS2 Compliance (10 subst.)	Yes
REACH Compliance (173 subst.)	Yes
Soldering	Wave

■ External Dimensions

Dimension A	Max 15.0 mm
Dimension B	Max 17.0 mm
Dimension C	Max 12 mm

2017.04.30

The data is reference only. Electrical characteristics vary depending on environment or measurement condition.
 TAIYO YUDEN reserves the right to make change to the Date at any time without notice.
 Before making final selection, please check product specification.