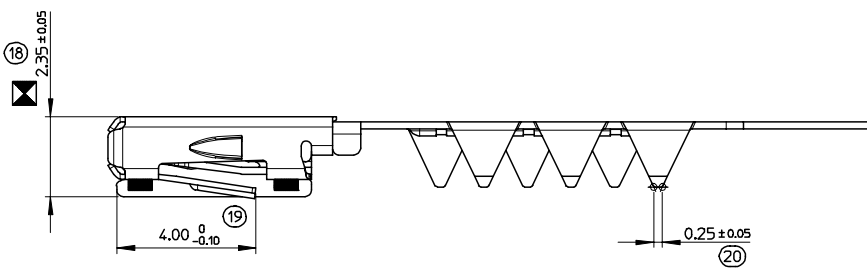
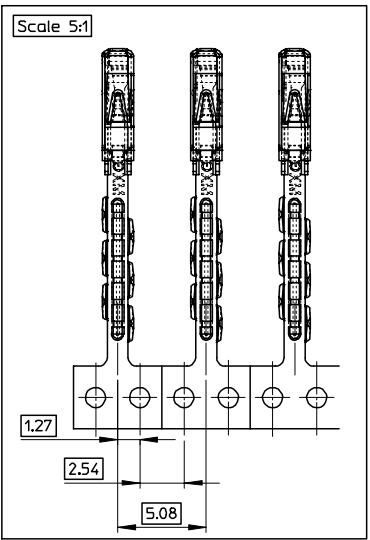
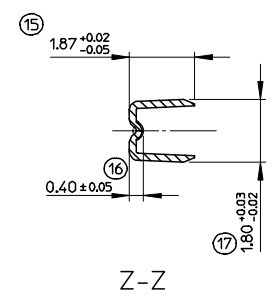
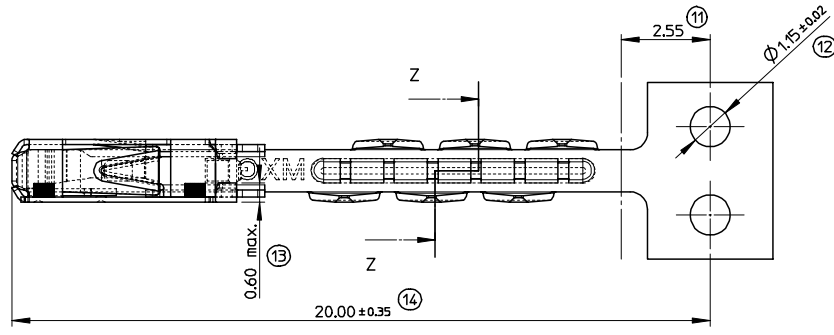


	MOLEX REFERENCE	GAP AREA	CRIMPING AREA
TIN PLATED VERSION	98194-1211	HOT TIN DIP Sn = 1.0 to 3.0 microns	
GOLD PLATED VERSION	98194-1221	Au = 0.3 microns mini Ni = 1.0 microns mini	Sn = 1.0 to 5 microns mini Ni = 1.0 microns mini



INDICATION DIMENSIONS S.P.C DENOTES S.P.C DIMENSIONS	INDICATION DIMENSIONS CRITIQUES DENOTES CRITICAL DIMENSIONS	INDICATION DIMENSIONS FONCTIONNELLES DENOTES FUNCTIONAL DIMENSIONS
QUANTITE PAR FEUILLE INDIVIDUELLE QUANTITY PER INDIVIDUAL SHEET		
1	4	0

2	E
1	E
SHT REV	

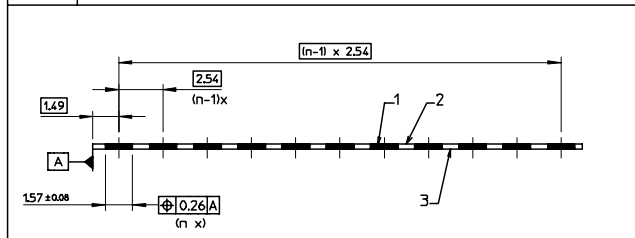
UPDATE METAL STRIP SHAPE EC NO: GZ007-0149 DRWN: PGRANDCL 2006/11/23 CHKD: MANDRE 2006/11/28 APPR: LSTICKEIR 2006/11/28	GENERAL TOLERANCES (UNLESS SPECIFIED)		SCALE 10:1	DESIGN UNITS METRIC	FIRST ANGLE PROJECTION	REVISE ON CAD ONLY	
	mm	INCH	DIMENSION STYLE MM ONLY		TITLE		
	4 PLACES ± --- ± ---	3 PLACES ± --- ± ---	DRAWN BY LSTICKEI	DATE 2000/04/17	MOX 0.635 TERMINAL FFC/FPC CRIMP VERSION		
	2 PLACES ± 0.05 ± ---	1 PLACE ± 0.10 ± ---	CHECKED BY MANDRE	DATE 2000/05/29	MATERIAL NO. SEE CHART DOCUMENT NO. SD-98194-002 SHEET NO. 1 OF 2		
ANGULAR ±1/2°		APPROVED BY WMORITZ		DATE 2000/05/30	MATERIAL NO. SEE CHART DOCUMENT NO. SD-98194-002 SHEET NO. 1 OF 2		
DRAFT WHERE APPLICABLE MUST REMAIN WITHIN DIMENSIONS		THIS DRAWING CONTAINS INFORMATION THAT IS PROPRIETARY TO MOLEX INCORPORATED AND SHOULD NOT BE USED WITHOUT WRITTEN PERMISSION					

1 SERTISSAGE CRIMPING

	FFC / FLAT FLEX CABLE FPC / FLEX PRINTED CIRCUIT		CONTACT / TERMINAL REFERENCES PART #		PARAMETRES DE SERTISSAGE CRIMPING PARAMETERS					
			MOLEX		SERTISSAGE CUIVRE WIRE BARREL					
	Largueur Conductor Conductor Width	Epaisseur Conductor Conductor Thickness	Epaisseur Film Polyester Polyester Film Thickness	Epaisseur Couche Adhésive Adhesive Layer Thickness	Epaisseur Cable Cable Thickness	VERSION ETAMÉE TIN PLATED VERSION	VERSION DORÉE GOLD PLATED VERSION	HAUTEUR HEIGHT C (mm)	LARGEUR WIDTH G (mm)	TRACTION MIN SUR 2 CONTACTS STRESS POUR INFORMATION MINIMUMS FOR INFORMATION NEWTON
FFC	157 ±0.076	0.063-0.15 mm	0.050 mm MAX (x2) (w)	0.050 mm MAX (x2) (w)	0.33 MAX.	98194-1211	98194-1221	0.93 ±0.03	1.85 MAX	> 50N
FPC	157 ±0.070	0.070 ±0.013 mm	0.050 mm MAX (x1) (x)	0.020 mm MAX (x1) (w)	0.33 MAX.	98194-1211	98194-1221	0.91 ±0.03	1.85 MAX	> 50N

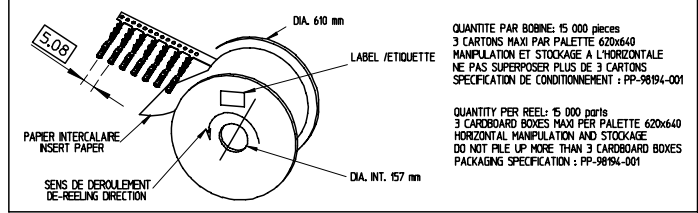
- (x)
- (x2) means that the copper conductor is laminated between a top and bottom insulation.
 - (x1) means that the copper conductor is stripped (without any insulation or coverlay) on one side only.
 - (x2) signifie que le conducteur cuivre est pris en sandwich entre une isolation supérieure et inférieure.
 - (x1) signifie que le conducteur cuivre est dénudé sur une face uniquement (sans isolation ou film de protection)

2 TOLERANCE DE POSITIONNEMENT POSITIONING TOLERANCE



- 1 : Bare copper conductor / Conducteur cuivre
- 2 : Polyester film with modified polyester adhesive / Film Polyester avec couche adhésive.
- 3 : Polyester film with modified polyester adhesive / Film Polyester avec couche adhésive.

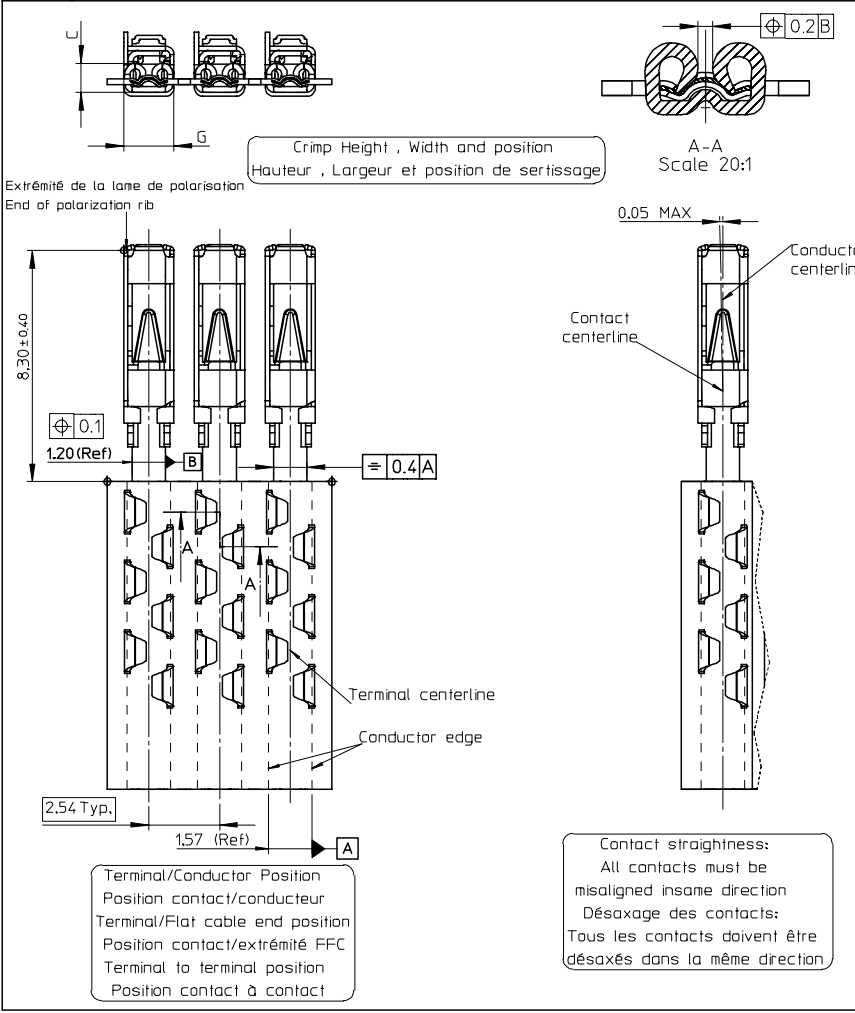
4 CONDITIONNEMENT PACKAGING



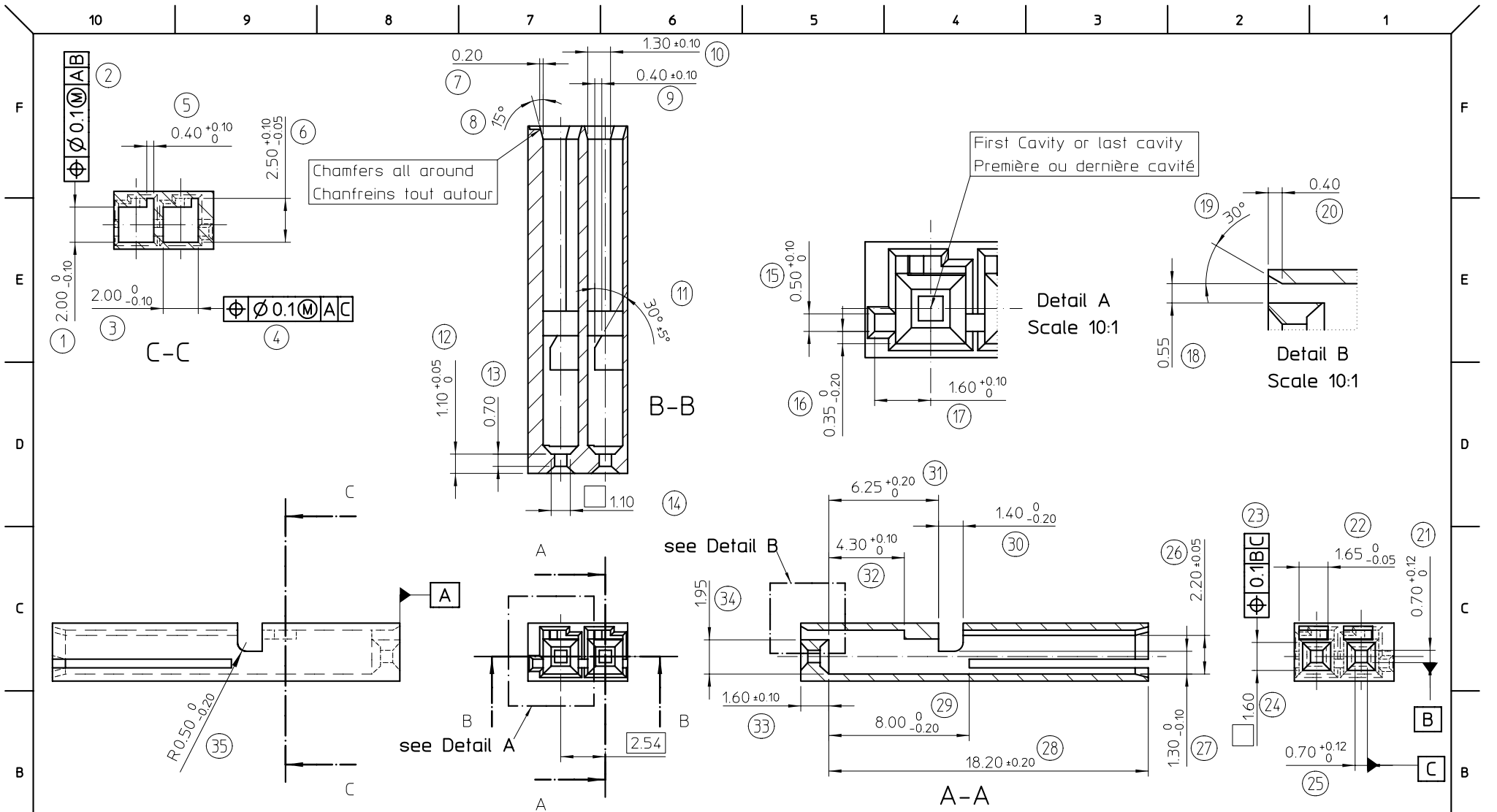
QUANTITE PAR ROULE: 15 000 pieces
3 CARTONS MAXI PAR PALETTE 620x640
MANIPULATION ET STOCKAGE A L'HORIZONTALE
NE PAS SUPERPOSER PLUS DE 3 CARTONS
SPECIFICATION DE CONDITIONNEMENT : PP-98194-001

QUANTITY PER REEL: 15 000 parts
3 CARDBOARD BOXES MAXI PER PALETTE 620x640
HORIZONTAL MANIPULATION AND STOCKAGE
DO NOT PILE UP MORE THAN 3 CARDBOARD BOXES
PACKAGING SPECIFICATION : PP-98194-001

3 INSPECTION DU CONTACT FLEX FLEX TERMINAL INSPECTION



REV. UPDATE FOLL. SH. 1 REV.	EC NO: GZ007-0149	SCALE 10:1	DESIGN UNITS METRIC	FIRST ANGLE PROJECTION	REVISE ON CAD ONLY
DRWN: PGRANDCL 2006/11/23	CHKD: MANDRE 2006/11/28	GENERAL TOLERANCES (UNLESS SPECIFIED)	MM ONLY	TITLE	
APPR: LSTICKEIR 2006/11/28	DESCRIPTION	4 PLACES ± --- ± ---	INCH	MOX 0.635 TERMINAL FFC/FPC CRIMP VERSION	
		3 PLACES ± --- ± ---		MOLEX INCORPORATED	
		2 PLACES ± 0.05 ± ---		MATERIAL NO.	DOCUMENT NO.
		1 PLACE ± 0.10 ± ---		SEE SHT 1	SD-98194-002
		ANGULAR ± 5°		SHEET NO.	2 OF 2
		DRAFT WHERE APPLICABLE	APPROVED BY WMORITZ	THIS DRAWING CONTAINS INFORMATION THAT IS PROPRIETARY TO MOLEX INCORPORATED AND SHOULD NOT BE USED WITHOUT WRITTEN PERMISSION	
		MUST REMAIN WITHIN DIMENSIONS	DATE 2000/05/30	A2	



NOTES:

- Dimensions 12, 13 and 33 have to be adjusted following the connector design and the requested contact overlapping.
- Les dimensions 12,13 et 33 doivent être modifiées suivant la définition de connecteur et la sécurité de contact exigée.

EC NO: G2002-0035 DRWN: LSTICKEI 2001/08/17 CHKD: MAN 2001/08/20 APPR: WMORITZ 2001/08/23	QUALITY SYMBOLS	GENERAL TOLERANCES (UNLESS SPECIFIED)	SCALE 5:1	DESIGN UNITS METRIC	FIRST ANGLE PROJECTION	REVISE ON CAD ONLY
	▼ - 0 ∇ - 0	mm	INCH	DIMENSION STYLE MM ONLY		TITLE STANDARD CAVITY MOX0.63 FLEX TERMINAL TERMINAL FRONT RELEASE
		4 PLACES ± ---	± ---	DRAWN BY LST	DATE 2001/08/06	
	A	DESCRIPTION	1 PLACE ± 0.10	± ---	CHECKED BY MAN	DATE
REV		ANGULAR ± 1/2°	DRAFT WHERE APPLICABLE	APPROVED BY WMO	DATE	
MUST REMAIN WITHIN DIMENSIONS			THIS DRAWING CONTAINS INFORMATION THAT IS PROPRIETARY TO MOLEX INCORPORATED AND SHOULD NOT BE USED WITHOUT WRITTEN PERMISSION			A3