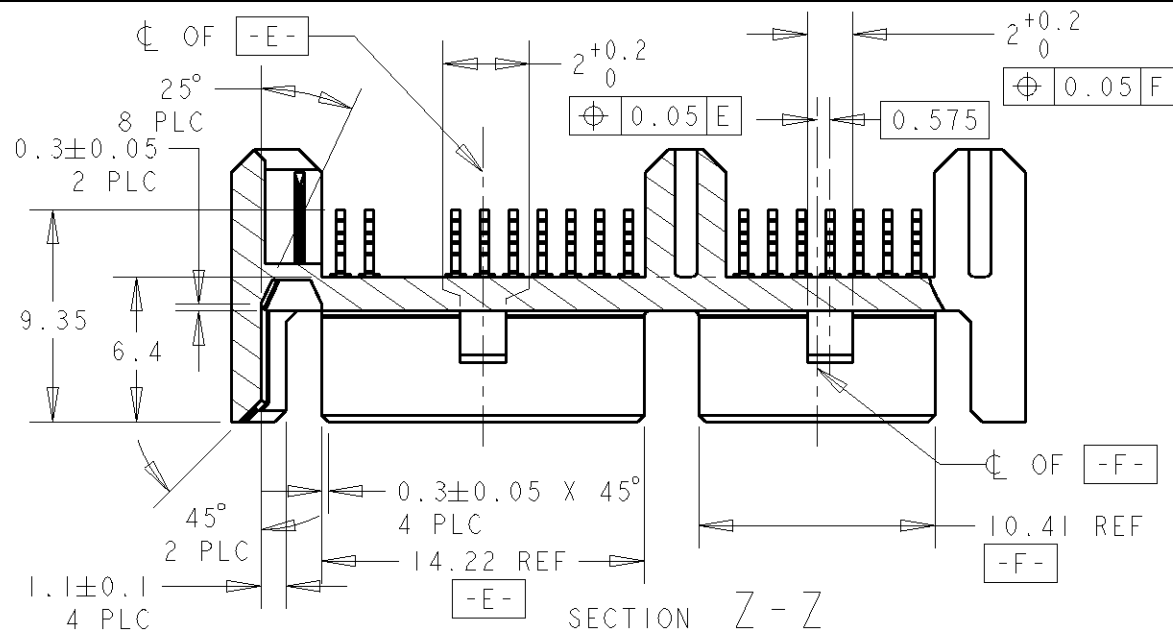
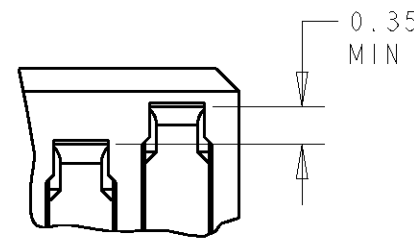
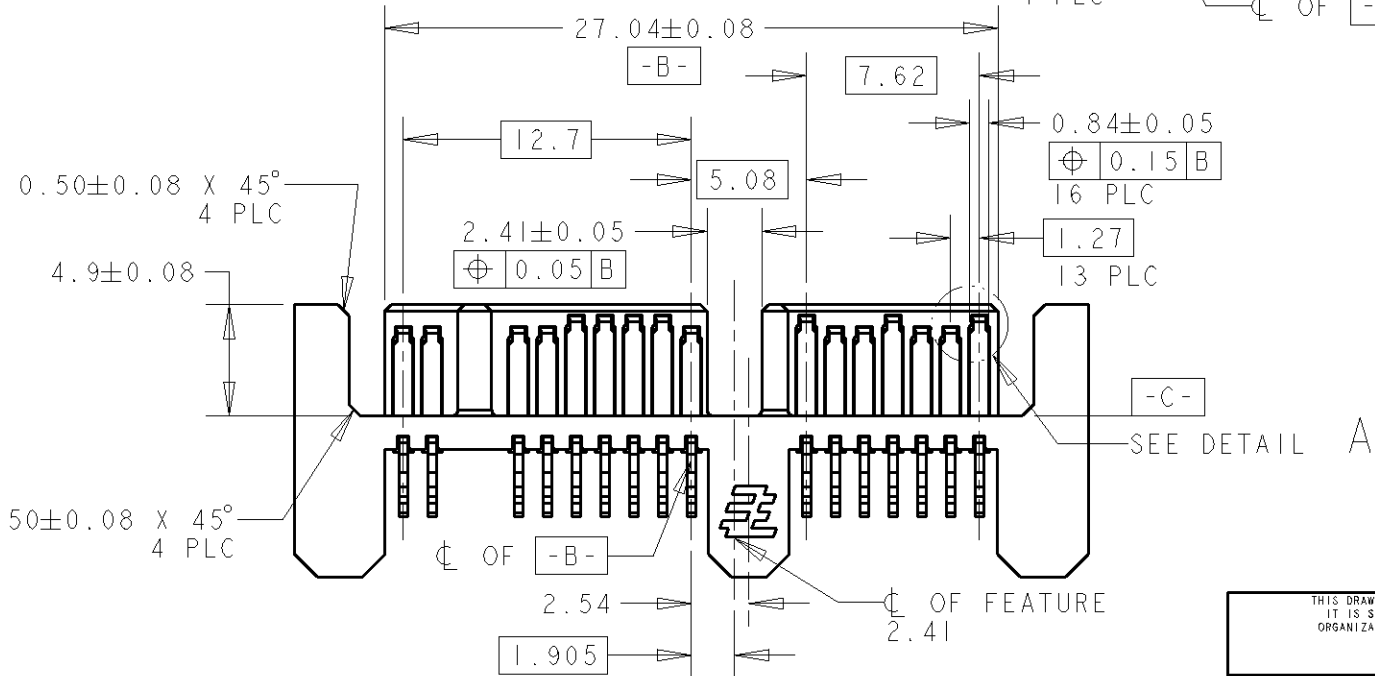
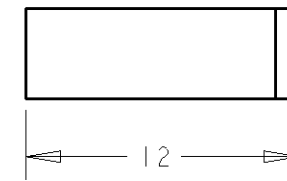
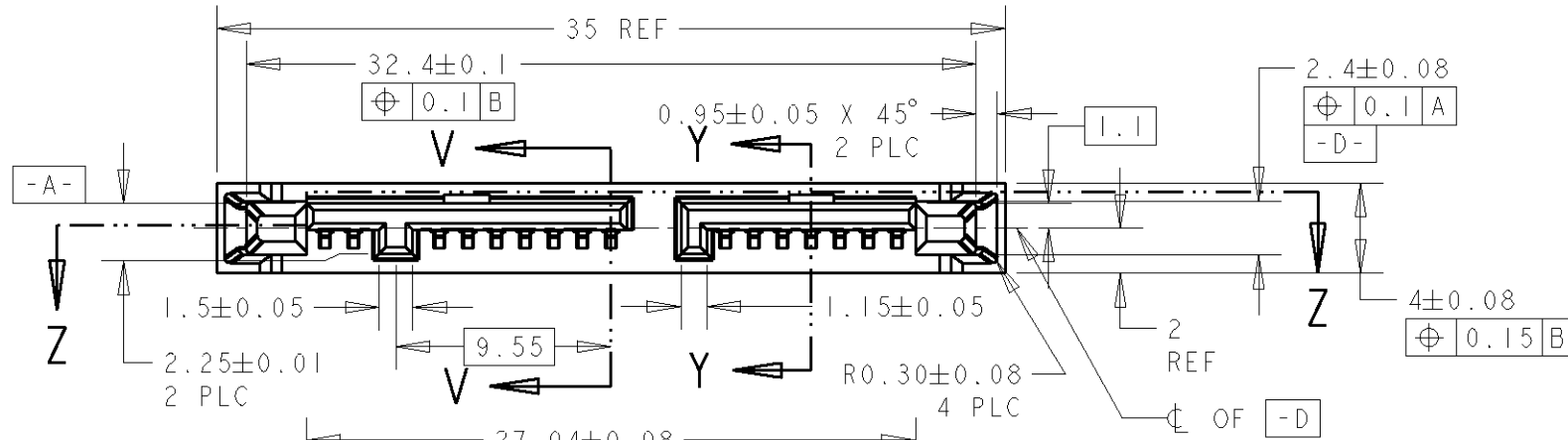


LOC		DIST		REVISIONS			
P	LTR	DESCRIPTION		DATE	DWN	APVD	
DY	-	A	NPR ECR-07-017845	03SEP2007	YKW	LSF	



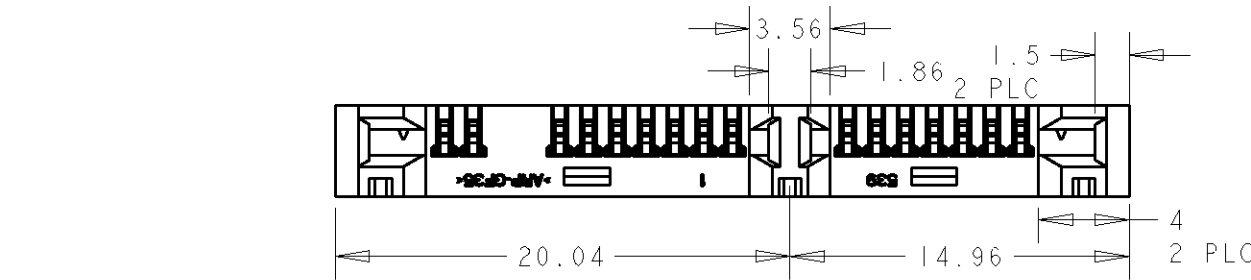
NOTE:

- 1 MATERIAL:
HOUSING: HIGH TEMP THERMOPLASTIC, UL94 V-0, BLACK
CONTACT: COPPER ALLOY
- 2 FINISH:
CONTACT: "A" MIN GOLD AT MATING AREA (SEE TABLE)
AND 0.05µm MIN GOLD AT SOLDER TAIL AREA
WITH 1.27µm MIN NICKEL UNDERPLATE ALL OVER.



DETAIL A
SCALE 10:1

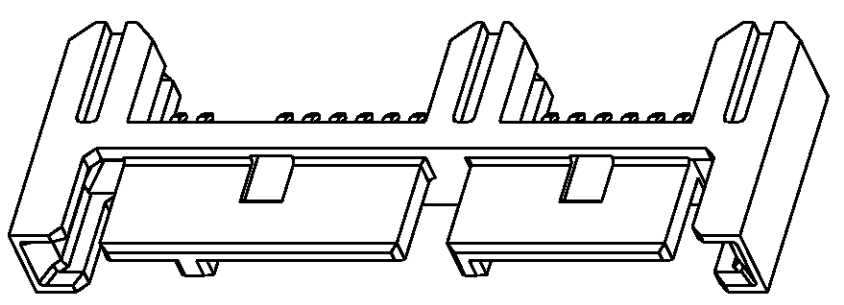
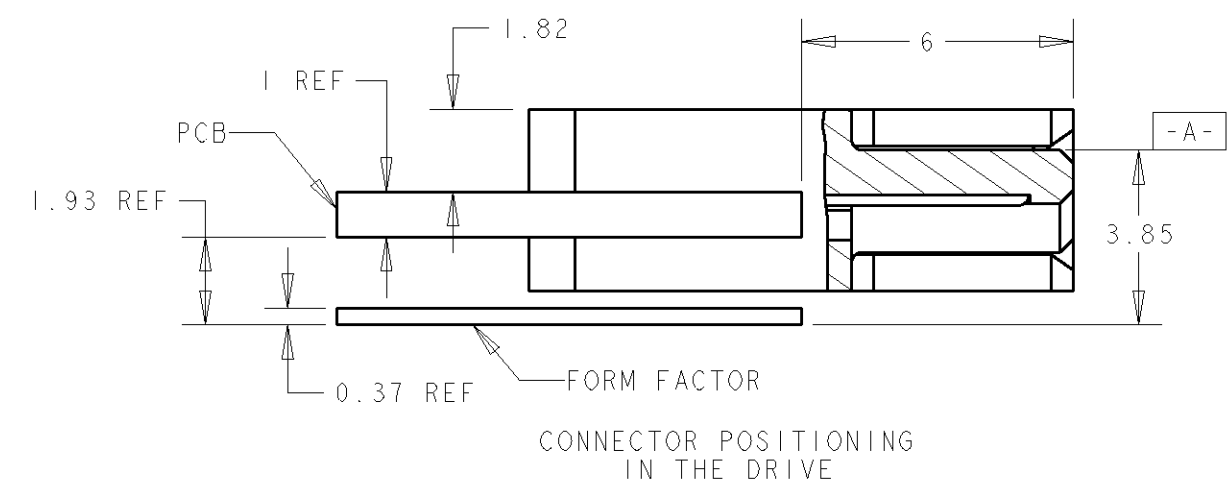
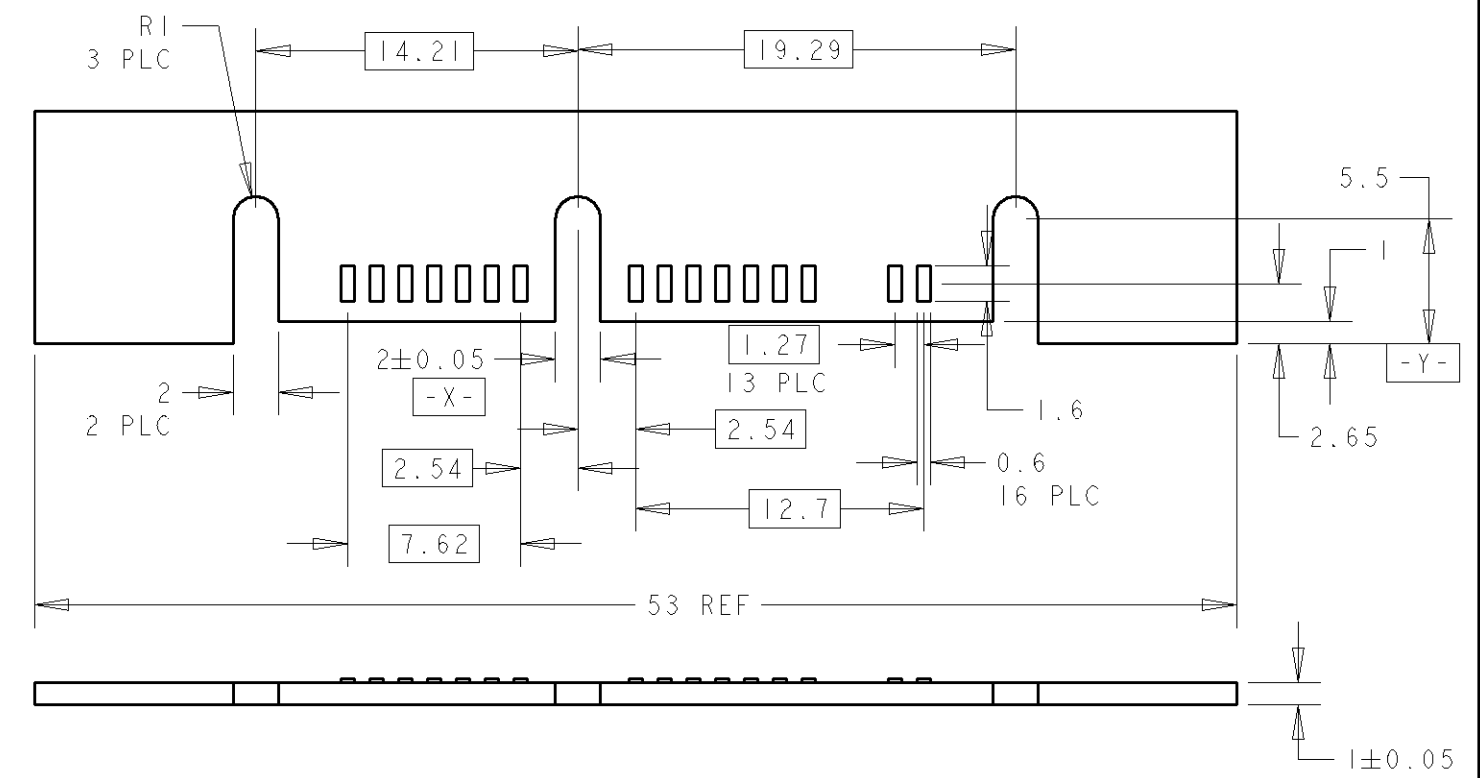
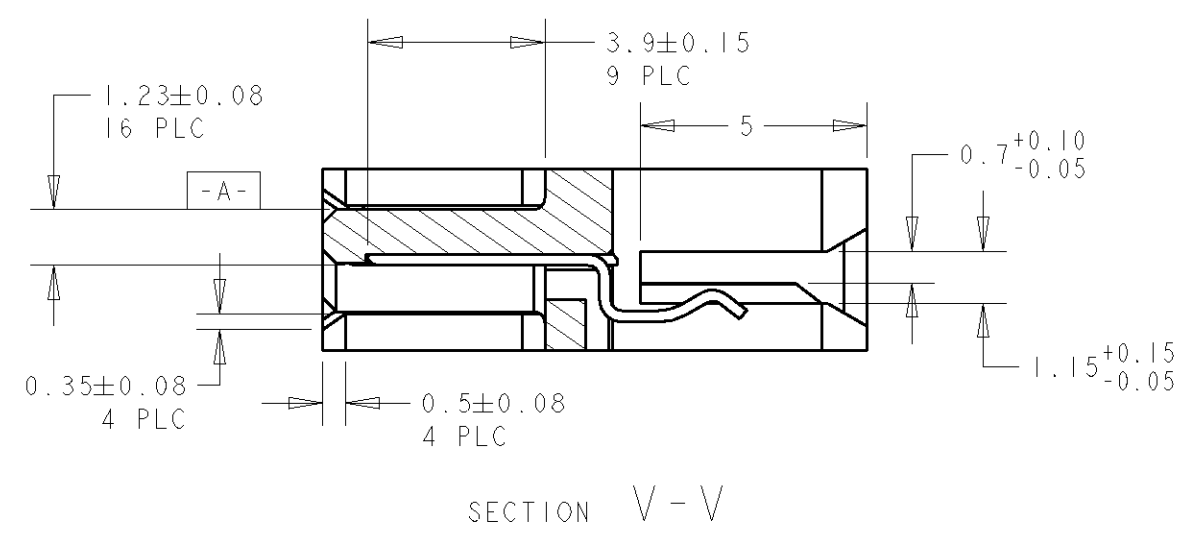
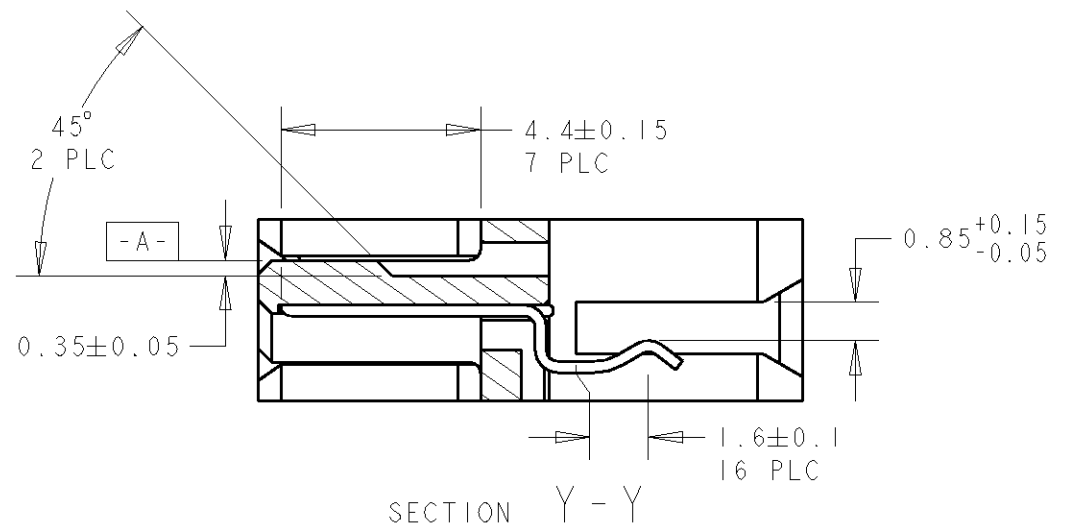
0.76µm	1735443-3
0.38µm	1735443-2
0.05µm	1735443-1
"A"	PART NO.



DIMENSIONS:		TOLERANCES UNLESS OTHERWISE SPECIFIED:		DWN 03SEP2007		Tyco Electronics Singapore Pte. Ltd.	
mm				CHK KW YAP		NAME	
		0 PLC ±0.20		APVD SF LEONG		CONNECTOR, MICRO SATA PLUG, 7P+9P STRADDLE MOUNT	
		1 PLC ±0.20		PRODUCT SPEC 108-51089		SIZE A3	
		2 PLC ±0.20		APPLICATION SPEC -		CAGE CODE 00779	
		3 PLC ±0.20		WEIGHT -		DRAWING NO C-1735443	
		4 PLC ±		CUSTOMER DRAWING		SCALE 1:1	
		ANGLES ±°				SHEET 1 OF 2	
MATERIAL 1		FINISH 2				REV A	

THIS DRAWING IS UNPUBLISHED. RELEASED FOR PUBLICATION .19 .
 © COPYRIGHT 19 BY AMP INCORPORATED. ALL RIGHTS RESERVED.

LOC	DIST	REVISIONS			
P	LTR	DESCRIPTION	DATE	DWN	APVD
DY	-	SEE SHEET 1			



THIS DRAWING IS A CONTROLLED DOCUMENT FOR AMP INCORPORATED. IT IS SUBJECT TO CHANGE AND THE CONTROLLING ENGINEERING ORGANIZATION SHOULD BE CONTACTED FOR THE LATEST REVISION.		DWN KW YAP 23MAY2007	Tyco Electronics Singapore Pte. Ltd.	
DIMENSIONS: mm	TOLERANCES UNLESS OTHERWISE SPECIFIED:	CHK SF LEONG	NAME	
	0 PLC ±0.20	APVD SF LEONG	CONNECTOR, MICRO SATA PLUG, 7P+9P STRADDLE MOUNT	
	1 PLC ±0.20	PRODUCT SPEC 108-51089	SIZE A3	CAGE CODE 00779
	2 PLC ±0.20	APPLICATION SPEC -	DRAWING NO 1735443	
	3 PLC ±0.20	WEIGHT -	SCALE 1:1	SHEET 2 OF 2
	4 PLC ±	CUSTOMER DRAWING	REV A	
	ANGLES ±2°			
MATERIAL	FINISH			