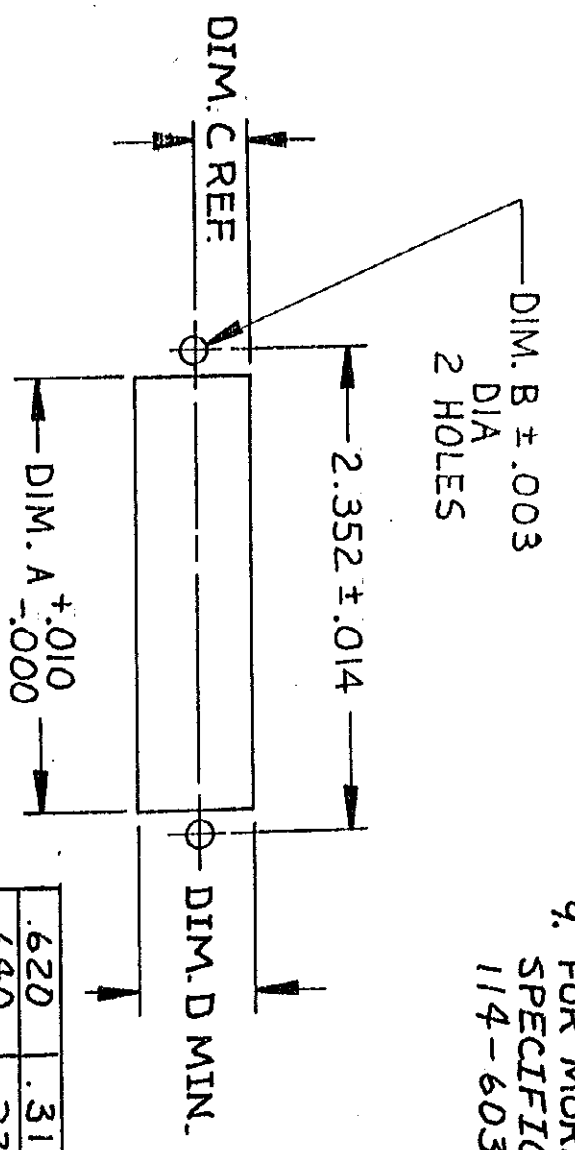
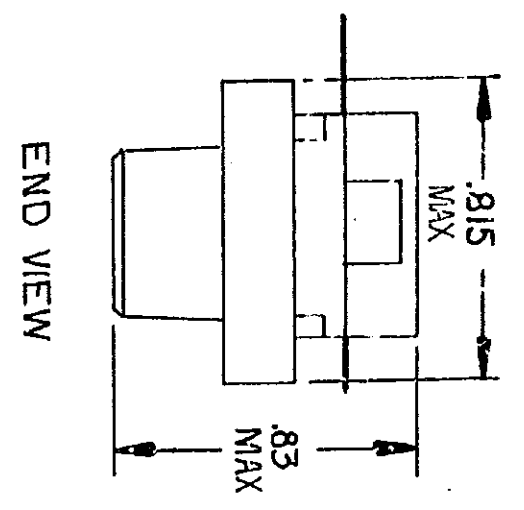


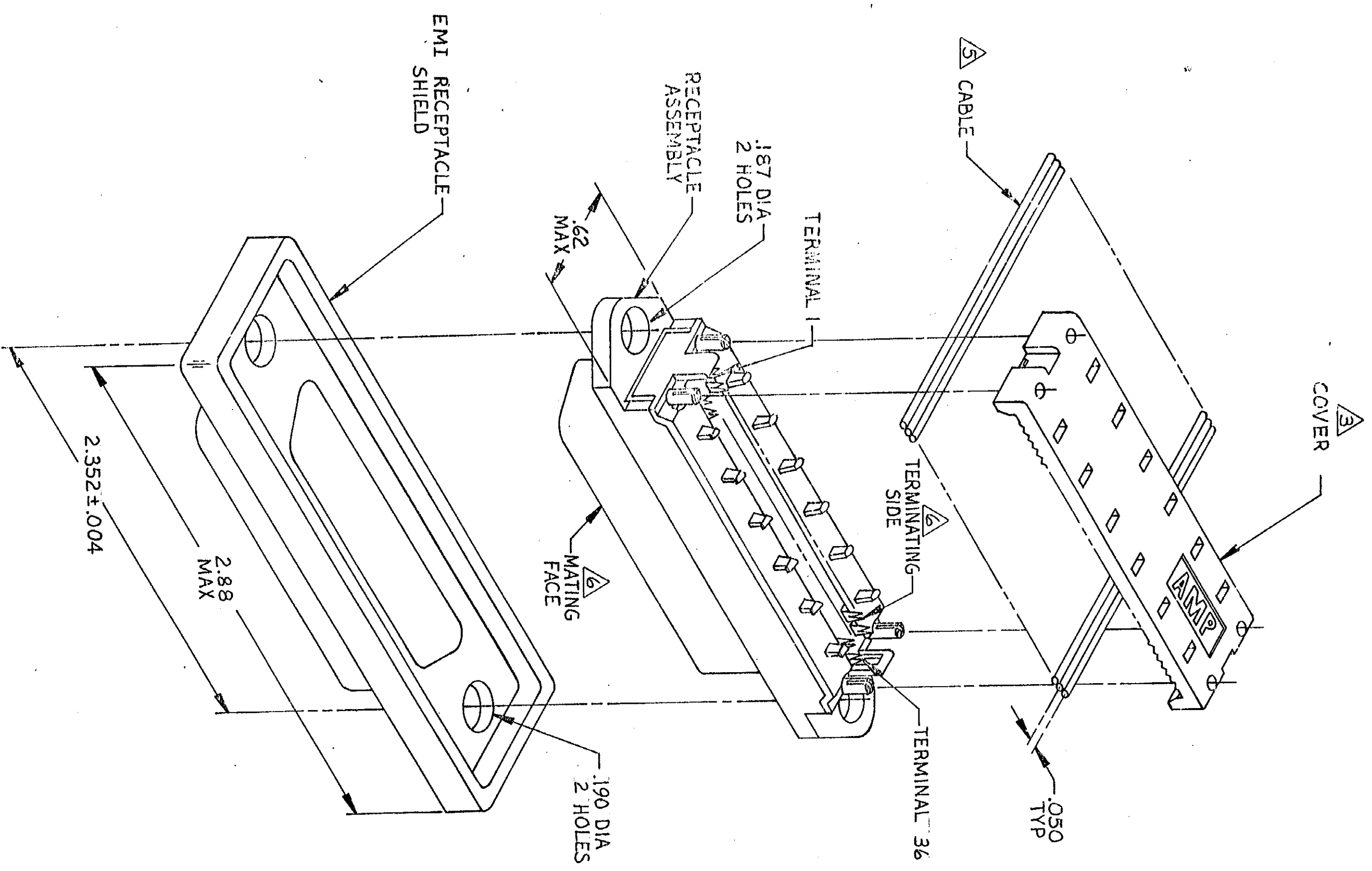
REVISIONS			
P	F	DESCRIPTION	DATE
D	LTR	REV PER ECN AA-3451	7/16/86
			BD

1. THE CONTACT SURFACES OF THE TERMINALS ARE COATED WITH LUBRICANT.
2. MATERIAL: HOUSING & COVER - POLYPHENYLENE OXIDE (BLACK)
 TERMINALS - GOLD OVER NICKEL PLATED
 HIGH STRENGTH COPPER ALLOY ON MATING FACE & GOLD FLASH OVER NICKEL PLATE ON TERMINATING SIDE.
 EMI SHIELD - NICKEL PLATED DIE CASTING.
3. COVER SHOWN LOOSE BUT SHIPPED ASSEMBLED.
4. WIRE RANGE: 26 AWG SOLID THRU 30 AWG SOLID AND 28 AWG STRANDED RIBBON CABLE.
5. FLAT CABLE SHALL BE FURNISHED BY CUSTOMER.
6. MATING FACE CONSISTS OF TWO ROWS OF TERMINALS ON .085 CENTERS. TERMINATING SIDE CONSISTS OF TERMINALS ON .100 CENTERS FOR AN EFFECTIVE .050 TERMINATION.
7. PANEL THICKNESS RANGE: OUTSIDE MOUNTING-.125 MAX. INSIDE MOUNTING-.062 MAX.
8. EMI SHIELD SHIPPED LOOSE.
9. FOR MORE INFORMATION REFER TO AMP PRODUCT SPECIFICATION 108-6076 & APPLICATION SPEC 114-6030.



DIM. D	DIM. C	DIM. B	DIM. A	DESCRIPTION
.620	.310	.149	2.085	REAR PANEL MOUNTING
.640	.320	.126	2.000	FRONT PANEL MOUNTING

554348-1 AS SHOWN



UNLESS OTHERWISE SPECIFIED DIMENSIONS ARE IN INCHES. TOLERANCES ON: DECIMALS ± .005 ANGLES		CONTRACT NO.	
MATERIAL		DR. <i>M. St. Buehly</i> 12/9/83	
FINISH		CHK. <i>MD</i> 12-29-83	
APPR. <i>M. St. Buehly</i> 1/13/84		NAME	
APPR. <i>J. D. ...</i> 1/13/84		AMP AMP INCORPORATED Harrisburg, Pa. 17105	
DESIGN APPD		SIZE	
OTHER APPD		FSCM NO. 00779	
SCALE 2:1		DRAWING NO. 554348	

CUSTOMER DRAWING

554348