

MODEL:

PDUMNV30HV

Monitored Rackmount PDU



High Voltage Input/Output



24 Outlets



30A Max Capacity



Multimode Load Meter



Network Interface



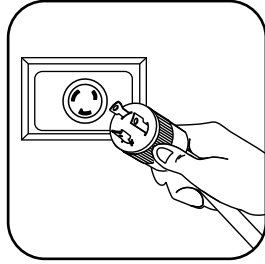
0U Rackmount



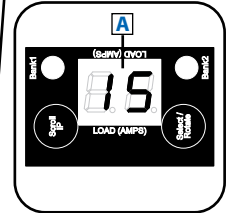
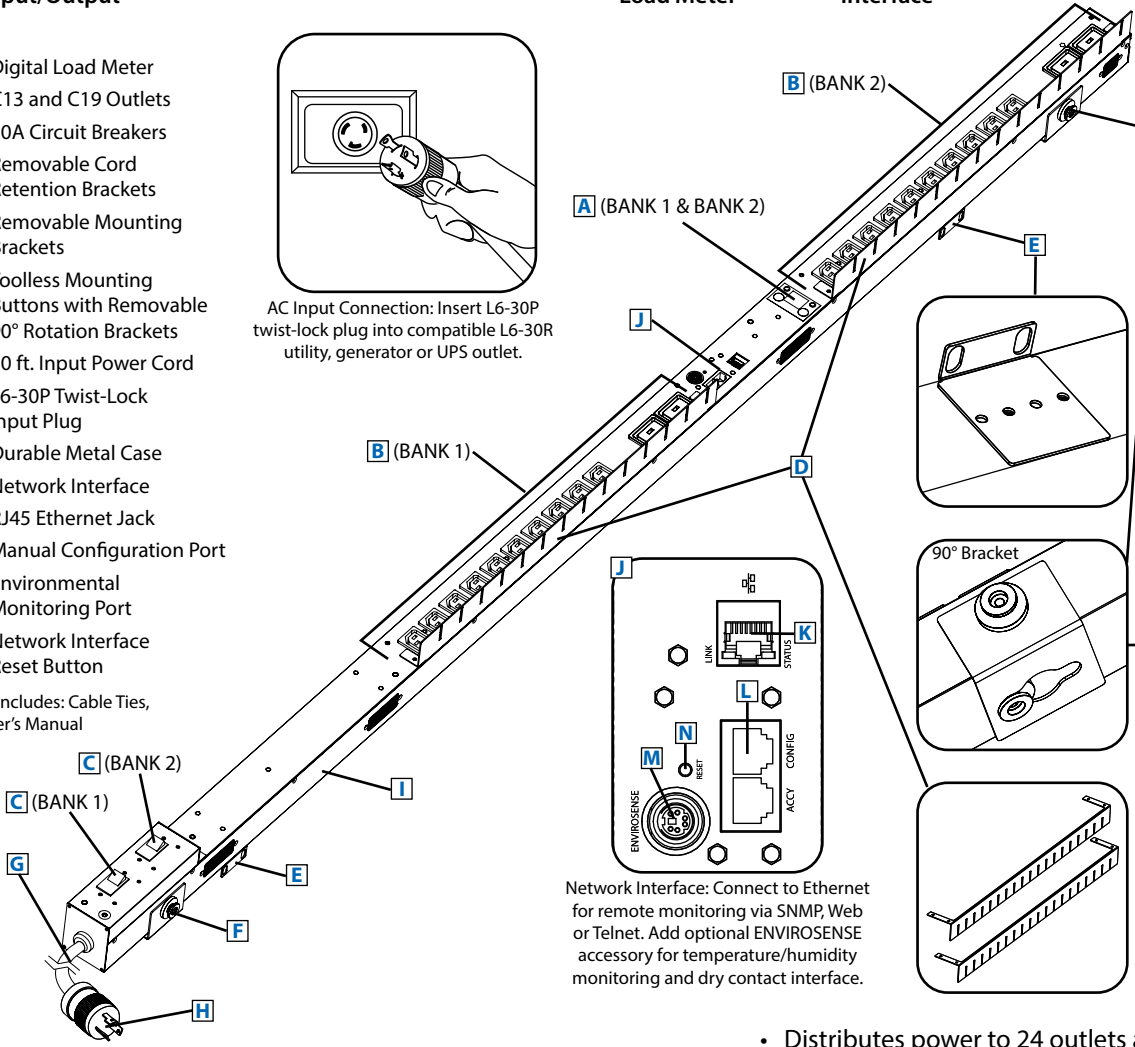
Toolless Mounting Buttons

- A** Digital Load Meter
- B** C13 and C19 Outlets
- C** 20A Circuit Breakers
- D** Removable Cord Retention Brackets
- E** Removable Mounting Brackets
- F** Toolless Mounting Buttons with Removable 90° Rotation Brackets
- G** 10 ft. Input Power Cord
- H** L6-30P Twist-Lock Input Plug
- I** Durable Metal Case
- J** Network Interface
- K** RJ45 Ethernet Jack
- L** Manual Configuration Port
- M** Environmental Monitoring Port
- N** Network Interface Reset Button

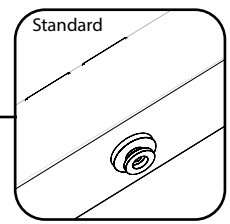
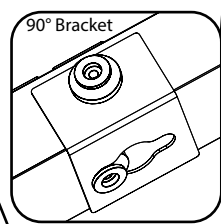
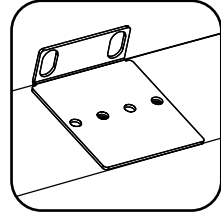
Also Includes: Cable Ties, Owner's Manual



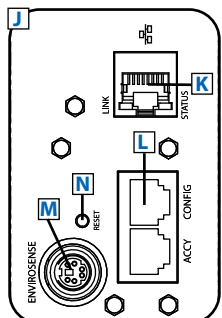
AC Input Connection: Insert L6-30P twist-lock plug into compatible L6-30R utility, generator or UPS outlet.



Multimode Load Meter: Press the "Select" button to switch modes—display the load for bank 1, bank 2 or both banks combined.



Note: Installed 17.67 mm toolless mounting buttons can be replaced with included 14.17 mm buttons for additional compatibility.



Network Interface: Connect to Ethernet for remote monitoring via SNMP, Web or Telnet. Add optional ENVIROSENSE accessory for temperature/humidity monitoring and dry contact interface.

- Distributes power to 24 outlets arranged in two banks
- Remote monitoring via SNMP, Web or Telnet
- Displays load for either outlet bank or both banks combined in real time
- Perfect for rackmount server, network and telecom applications

SEE NEXT PAGE FOR DETAILED UNIT MEASUREMENTS

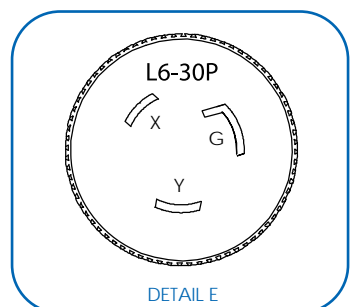
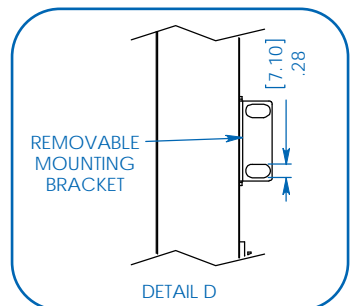
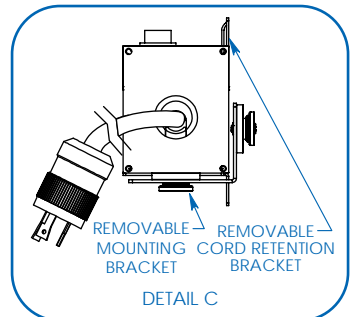
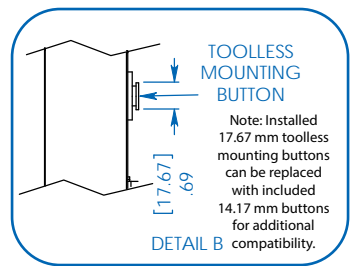
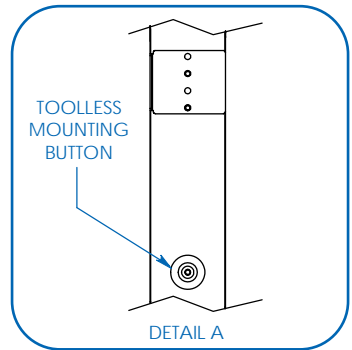
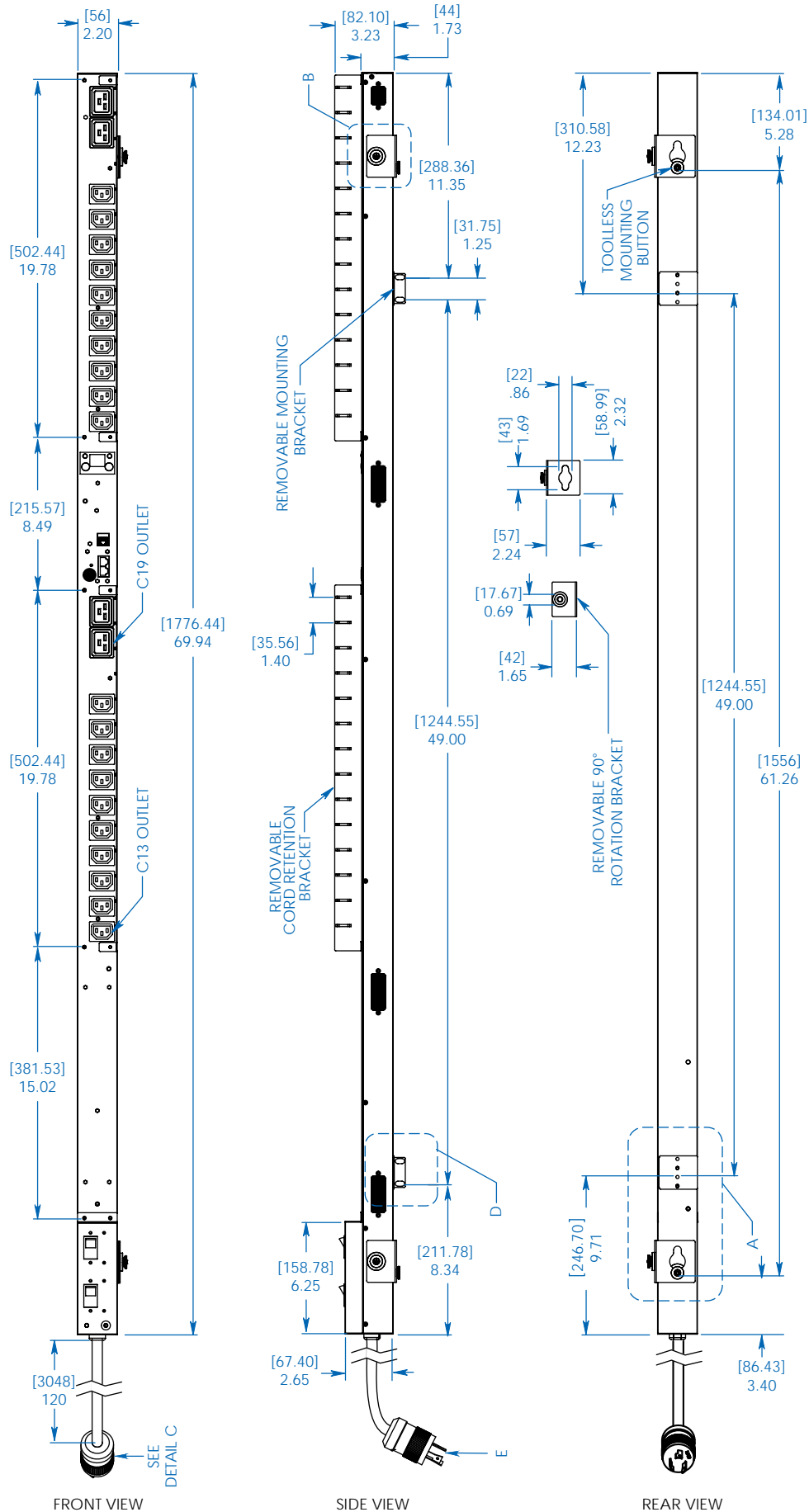
Specifications

| | |
|-------------------------------------|---|
| Model | PDUMNV30HV |
| Voltage | 200-240V |
| Frequency | 50/60Hz |
| Maximum Capacity | 30A |
| Agency-Derated Capacity | 24A |
| Input Connector | L6-30P |
| Cord Length | 10 ft. |
| Outlets | 24 (20 C13 / 4 C19) |
| Primary Mounting Option | 0U (Vertical) Rackmount |
| Unit Weight & Dimensions | 11.5 lb / 70 x 2.2 x 2.65 in. |
| | <i>See next page for detailed unit measurements.</i> |
| Standards | Tested to UL 60950-1 (US & Canada), NOM (Mexico), FCC Class A |

Tripp Lite has a policy of continuous improvement. Specifications are subject to change without notice.



1111 W. 35th Street
Chicago, IL 60609 USA
773.869.1234
www.tripplite.com



MODEL:
PDUMNV30HV
TRIPP-LITE

1111 W. 35th Street
 Chicago, IL 60609 USA
 773.869.1234
 www.triplite.com

Dimensions: [mm] INCHES

Tripp Lite has a policy of continuous improvement. Specifications are subject to change without notice.