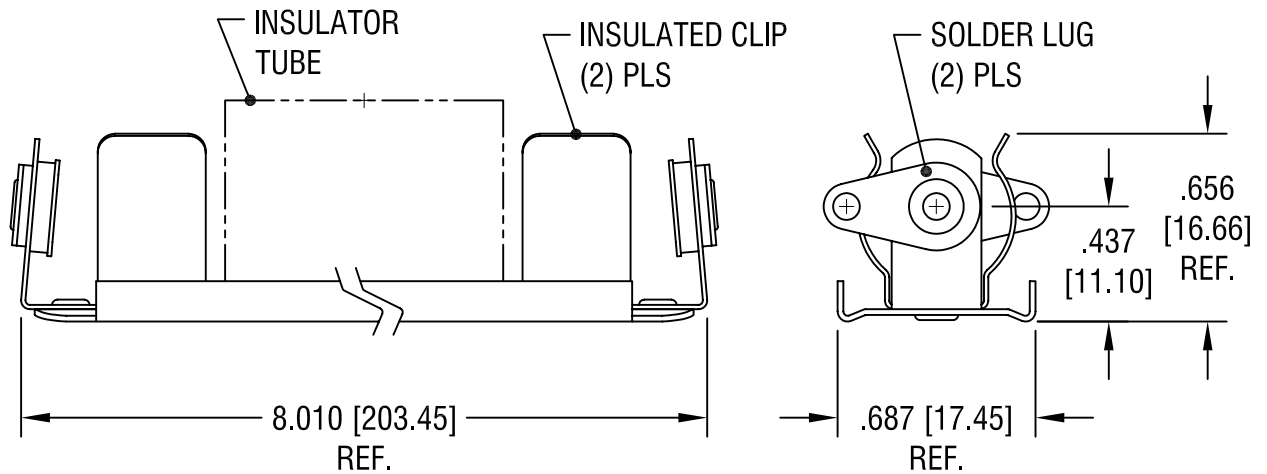
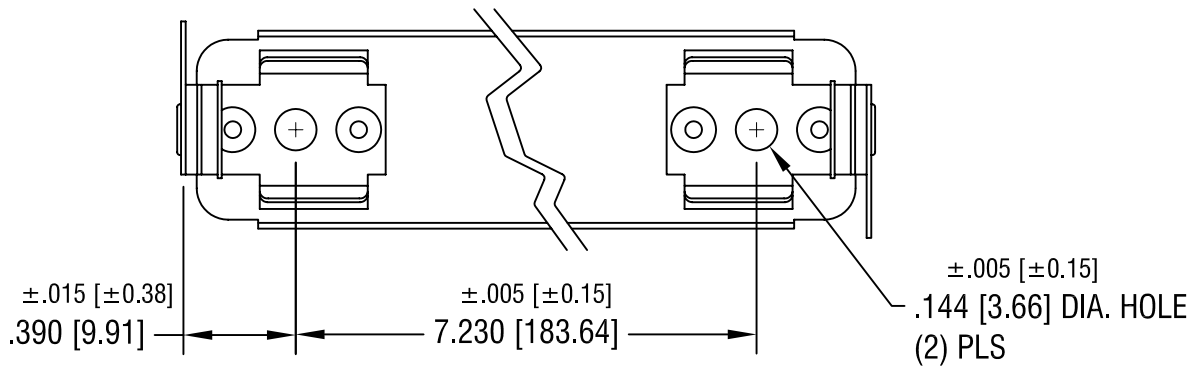


THIS DOCUMENT IS THE PROPERTY OF  
KEYSTONE ELECTRONICS CORP. AND  
SHALL NOT BE REPRODUCED, DISTRIBUTED  
OR USED AS A BASIS FOR MANUFACTURE  
WITHOUT PRIOR WRITTEN PERMISSION  
FROM KEYSTONE ELECTRONICS CORP.



**NOTES:**

- 1. BASE: MAT'L - STAINLESS STEEL
- CLIP: MAT'L - SPRING STEEL
- FINISH - NICKEL PLATE
- LUG: MAT'L - BRASS
- FINISH - TIN PLATE
- TUBE: MAT'L - WOUND PAPER, BLACK

<b>KEYSTONE ELECTRONICS CORP.</b>			
ASTORIA, N.Y. 11105-2017			
PART NAME			
INSULATED BATTERY HOLDER, (4) 'AA'			
MATERIAL			
AS NOTED			
FINISH		DRN BY	DATE
AS NOTED		BOONE	8.9.82
		APP'D	SCALE
		LN	1.5X
TOLERANCES		DWG NO.	
INCH	[MM]	<b>2194</b>	
DECIMAL	$\pm .010$ [ $\pm 0.25$ ]		
ANGULAR	$\pm 1^\circ$		
UNLESS OTHERWISE SPECIFIED		CODE	
		C	

6.13.00	CHANGE AS PER ECN 00-046	B
5.11.83	REVISED	A
DATE	DESCRIPTION	REV.