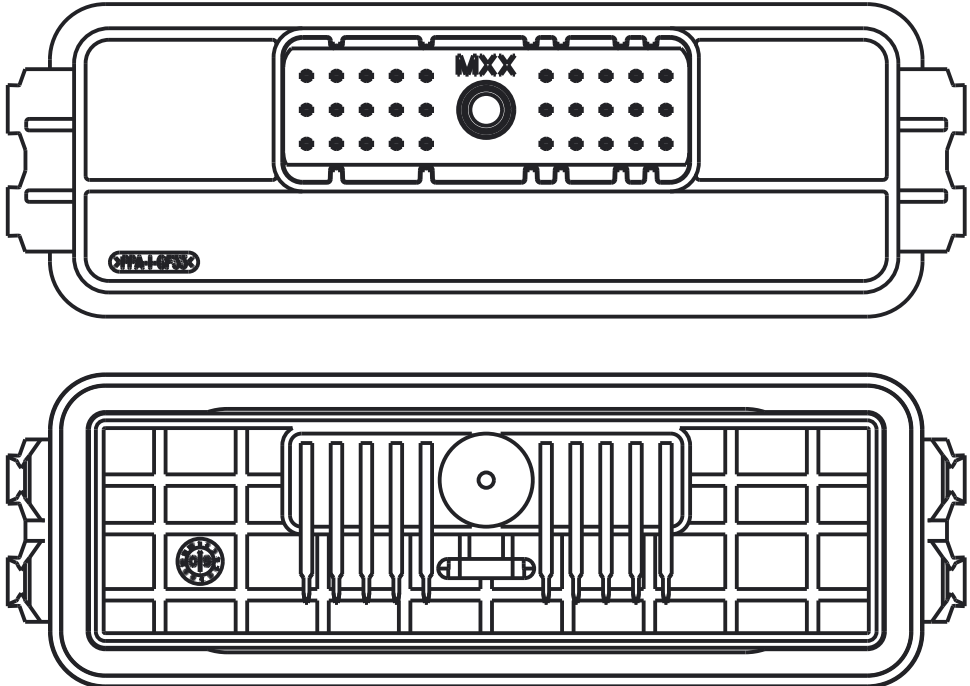
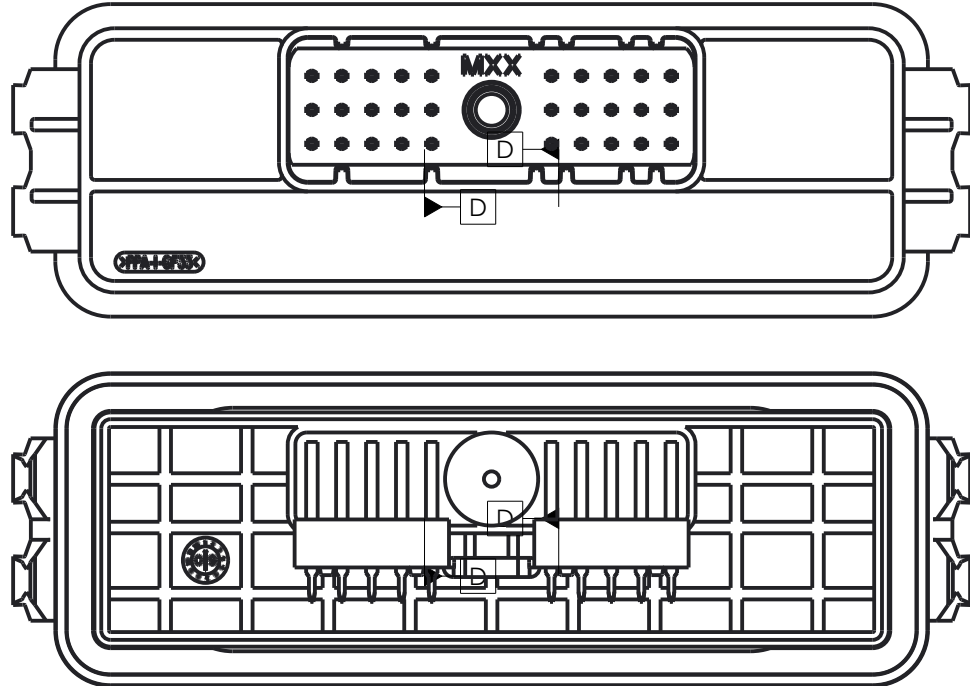
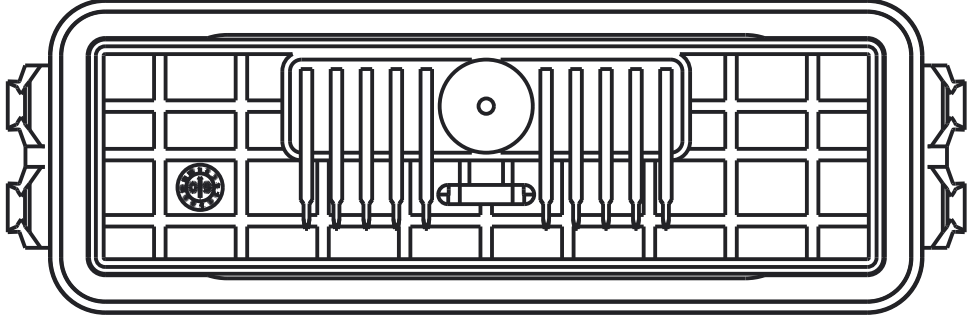
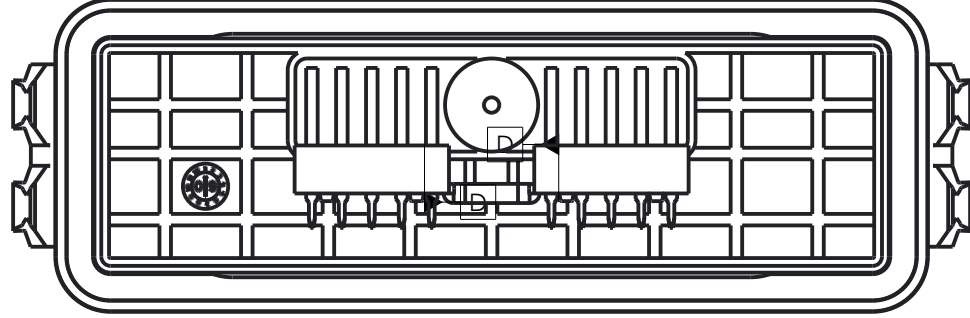



CINCH PART NUMBER MATRIX

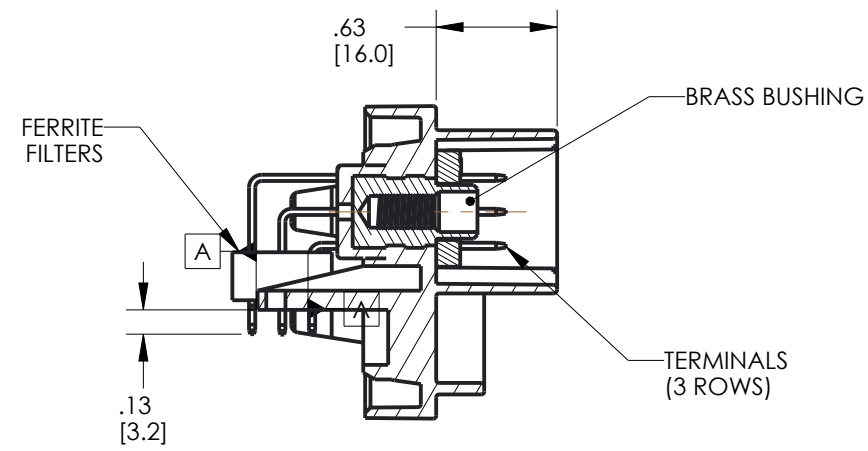
P/N: 5810130064	P/N: 5810130072
30-WAY HEADER ASSEMBLY WITHOUT FERRITE FILTERS	30-WAY HEADER ASSEMBLY WITH FERRITE FILTERS
	
	
MATES WITH CINCH HARNESS CONNECTOR P/N: 5810130029	

DRAWING REVISIONS (RELEASE DATE ON FILE)			
REV	DOCUMENT	APP	APPROVAL DATE
C	CO 3274	KR	7/18/16

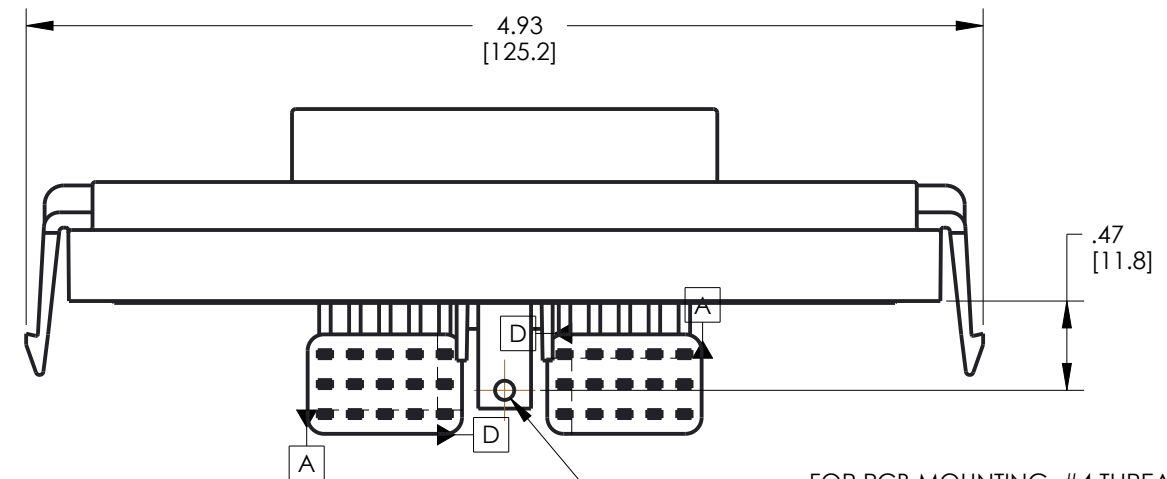
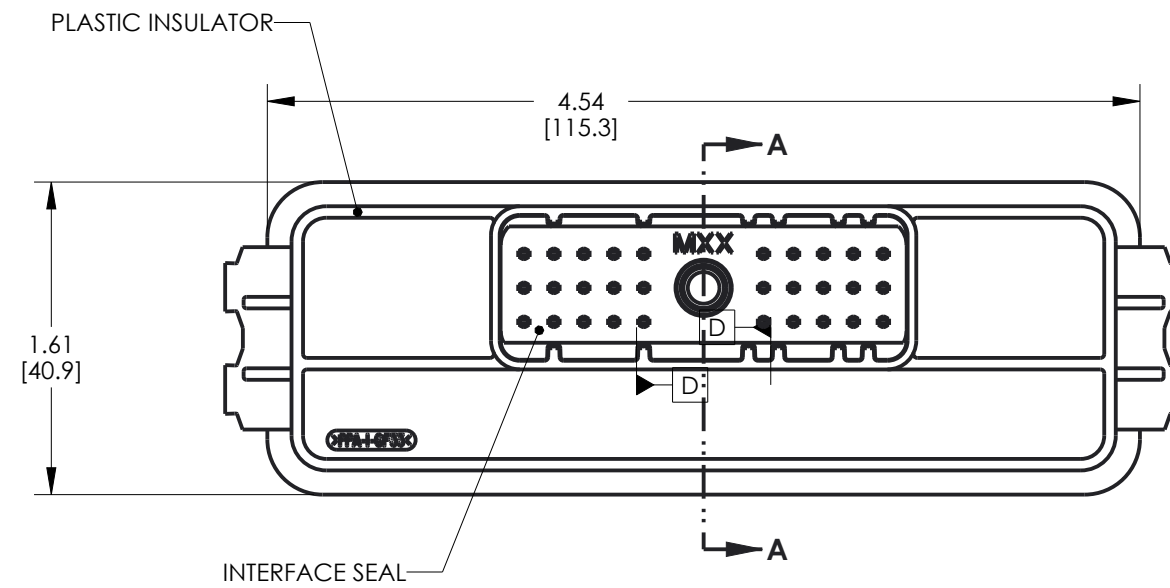
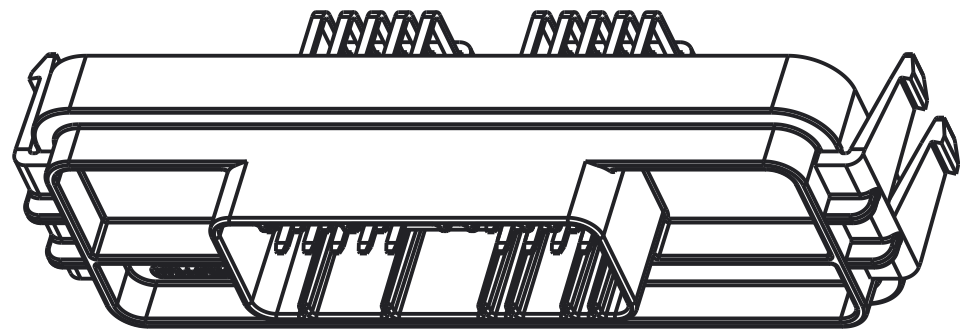
NOTES:

- ALL DIMENSIONS ARE IN INCHES; DIMENSIONS INSIDE [.XX] ARE IN mm, AS REFERENCE ONLY
- MATERIALS:
 INTERFACE SEAL: SILICONE RUBBER, COLOR BLUE
 INSULATOR: 30% GLASS FILLED POLYMER, COLOR BLACK
 BUSHING: BRASS ALLOY, UNPLATED 10-24 UNC THREAD
 TERMINAL BLADES: 1.5 mm BRASS WITH TIN OVER NICKEL PLATING
 FILTERS: FERRITE BLOCKS
- ALL HEADERS ARE REFLOW OR WAVE SOLDERING PROCESS, ROHS COMPLIANT
- SUGGESTED PCB THICKNESS: .062 [1.57]
- IF USING FERRITE FILTER VERSION, TRACES SHOULD BE AVOIDED UNDER THE FERRITE SPACER FEET. SEE "PCB TOP SIDE PIN AREA WITH FERRITES DETAIL" - PAGE 3.
- MATES WITH CINCH SHS PUSH-TO-SEAT HARNESS CONNECTORS (SEE TABLE ABOVE)
- TORQUE MATING CONNECTOR SCREW TO 15 - 20 IN*LBS [1.70 - 2.26 N*m]

UNITS ENGLISH INCHES			PRO/E	MODELED BY: A. ECKHART	
DO NOT SCALE DRAWING		DESIGN ENGINEER A. ECKHART	DATE 9/9/08	TITLE 30-WAY HEADERS MODICE ME	
CONFIDENTIAL THIS DOCUMENT IS THE PROPERTY OF CINCH. NEITHER THIS DOCUMENT NOR ANY OF THE INFORMATION CONTAINED IN IT MAY BE DUPLICATED OR DISCLOSED WITHOUT PRIOR WRITTEN CONSENT OF CINCH. ©COPYRIGHT 2008 CINCH		APPROVALS ON FILE		MATERIAL	CONTROL SPEC NUMBER
				MATERIAL SPEC NUMBER	FINISH
CAD FILE NUMBER 5810130064S		DRAWING NUMBER 5810130064S		SCALE 1:1	
CAGE IDENT NO. 71785	SIZE B	SHEET 1 OF 3			



SECTION A-A



CINCH P/N: 5810130072 SHOWN
(HEADER WITH FILTERS)

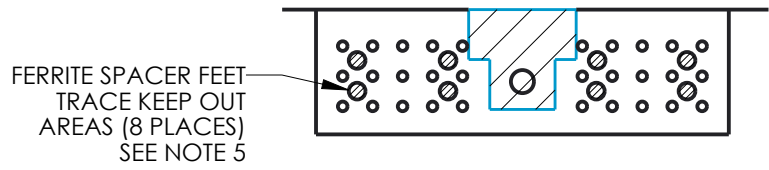
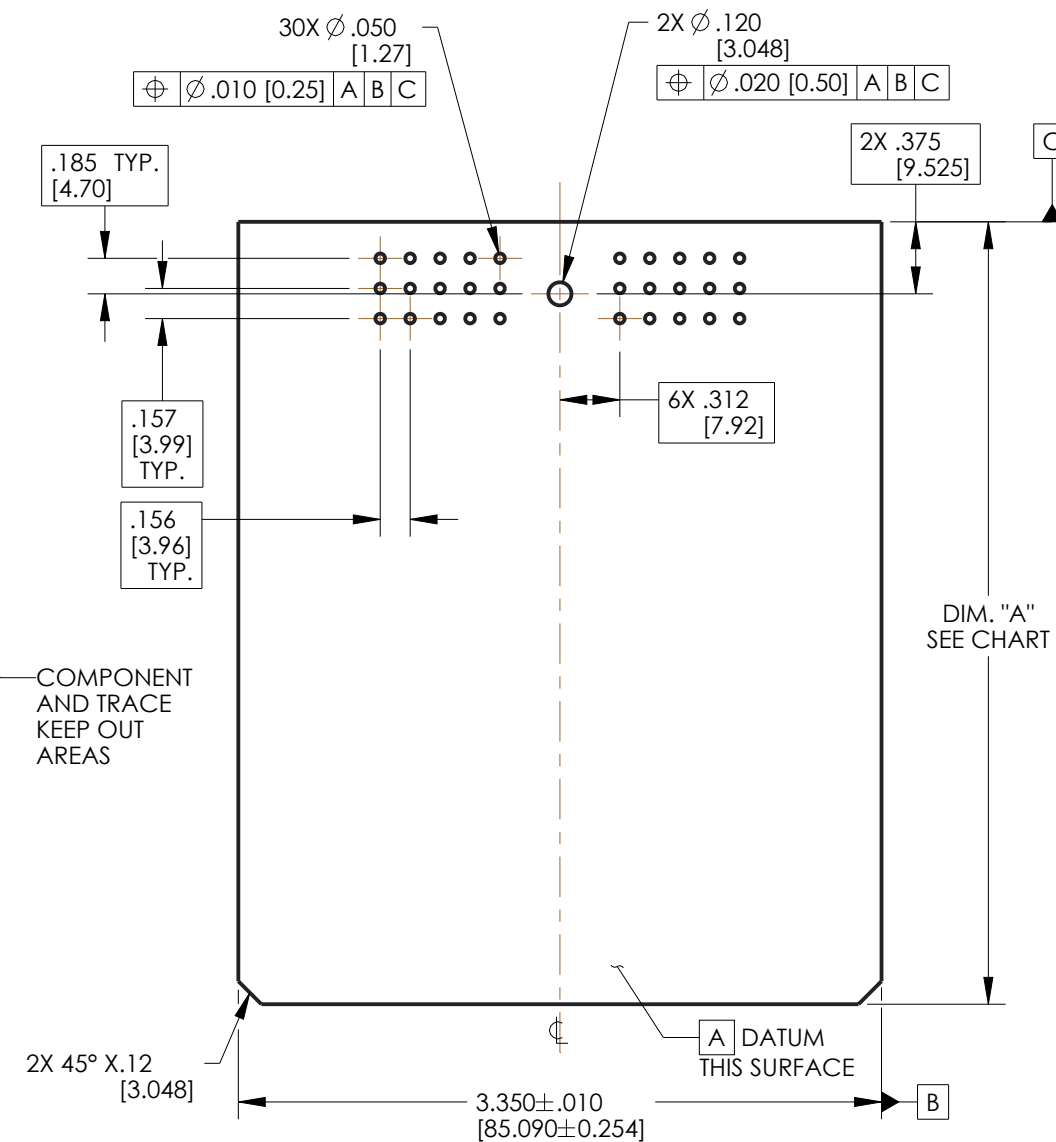
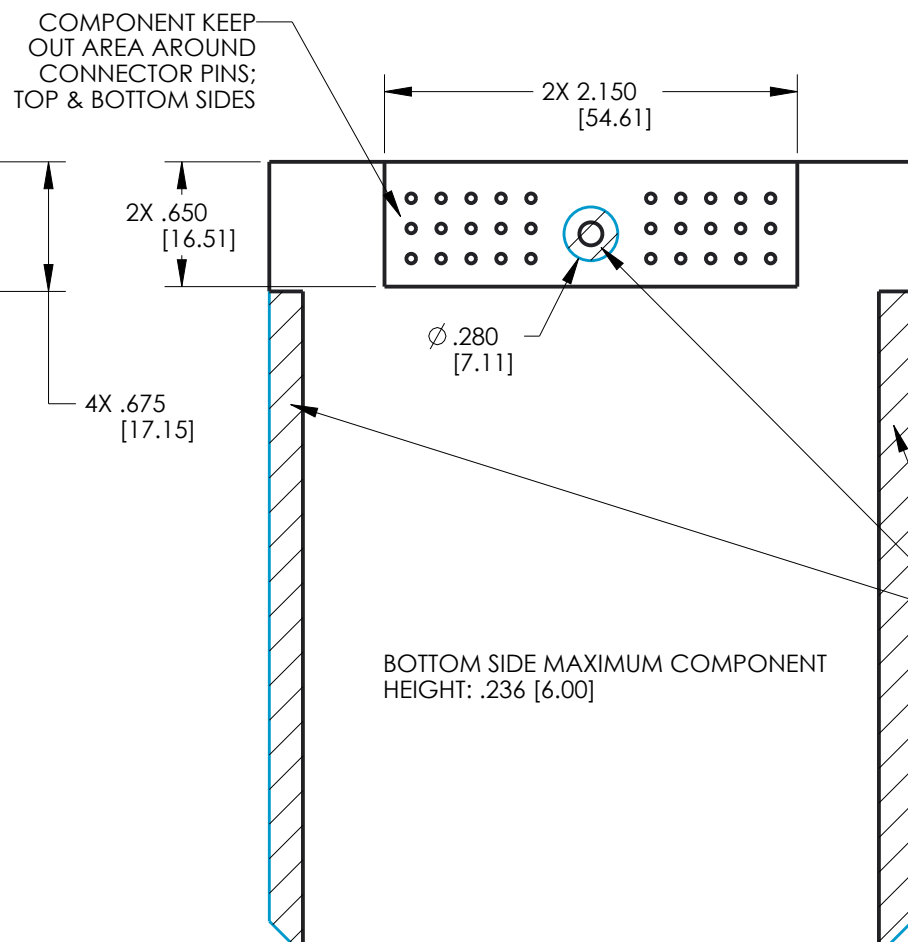
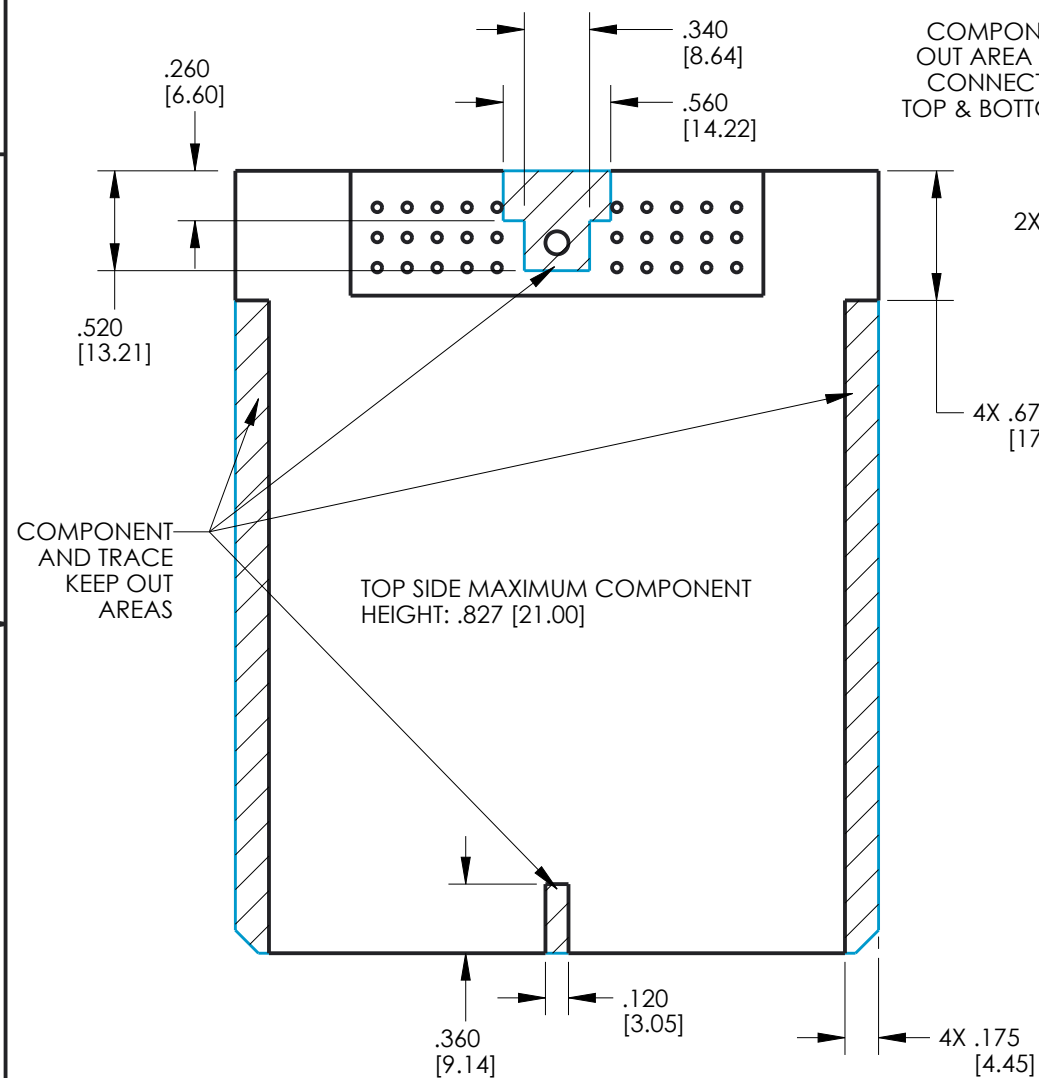
FOR PCB MOUNTING, #4 THREAD CUTTING SCREW (TYPE 23 OR SIMILAR) IS RECOMMENDED; TORQUE TO 2-3 IN*LBS [0.23-0.34Nm]

UNITS ENGLISH INCHES	CINCH		1700 FINLEY RD LOMBARD, IL. 60148
DO NOT SCALE DRAWING	TITLE 30-WAY HEADERS MODICE ME		
CONFIDENTIAL THIS DOCUMENT IS THE PROPERTY OF CINCH. NEITHER THIS DOCUMENT NOR ANY OF THE INFORMATION CONTAINED IN IT MAY BE DUPLICATED OR DISCLOSED WITHOUT PRIOR WRITTEN CONSENT OF CINCH. ©COPYRIGHT 2008 CINCH	CAD FILE NUMBER 5810130064S	DRAWING NUMBER 5810130064S	REV C
	CAGE IDENT NO. 71785	SIZE B	SCALE 1:1
			SHEET 2 OF 3

PCB TOP SIDE GENERAL ZONING AND KEEP-OUT AREAS

PCB BOTTOM SIDE GENERAL ZONING AND KEEP-OUT AREAS

PCB OVERALL DIMENSIONS AND HOLE LOCATIONS



PCB TOP SIDE PIN AREA WITH FERRITES DETAIL

RECOMMENDED PCB LENGTH

DIM. "A" (SEE DRAWING)	USE WITH ENCLOSURE	
	PART NUMBER	DESCRIPTION
4.075±0.015 [103.53±0.38]	581 01 30 065	ME
	581 01 30 075	ME WITH BREATHER
2.375±0.015 [60.33±0.38]	581 01 30 090	MINI ME
	581 01 30 095	MINI ME WITH BREATHER

UNITS ENGLISH INCHES	CINCH		1700 FINLEY RD LOMBARD, IL. 60148
DO NOT SCALE DRAWING	TITLE 30-WAY HEADERS MODICE ME		
PRO/E DRAWING			
CONFIDENTIAL THIS DOCUMENT IS THE PROPERTY OF CINCH. NEITHER THIS DOCUMENT NOR ANY OF THE INFORMATION CONTAINED IN IT MAY BE DUPLICATED OR DISCLOSED WITHOUT PRIOR WRITTEN CONSENT OF CINCH. ©COPYRIGHT 2008 CINCH	CAD FILE NUMBER 5810130064S	DRAWING NUMBER 5810130064S	REV C
	CAGE IDENT NO. 71785	SIZE B	SCALE 1:1
		SHEET 3 OF 3	