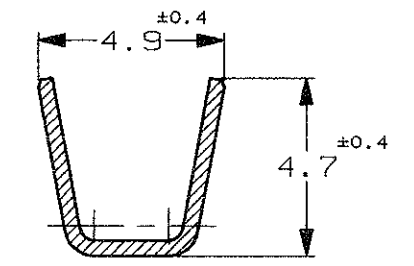
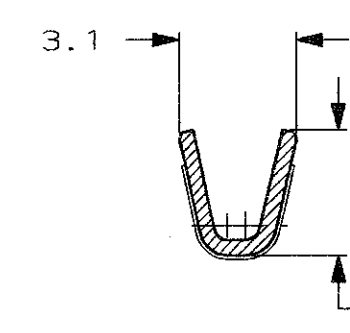


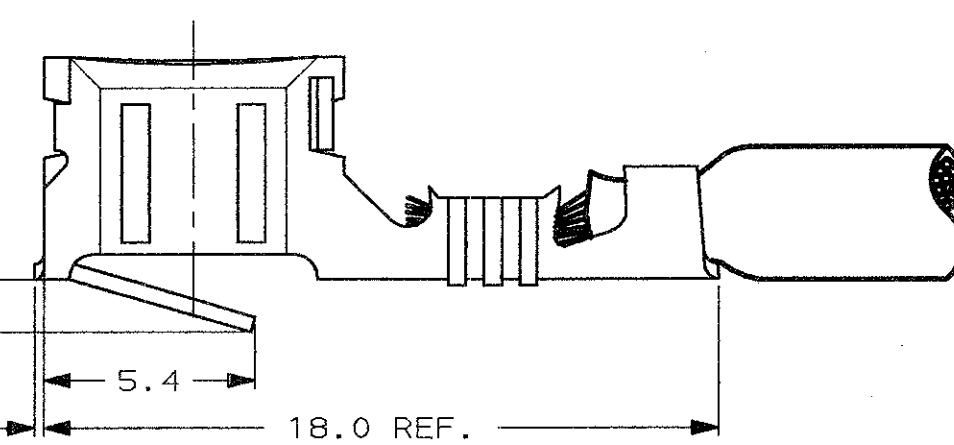
SEZIONE A-A (SECTION A-A)

SEZIONE B-B (SECTION B-B)

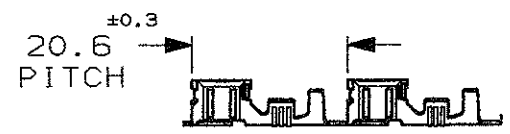


1.3-1.6 DEPRESSED DURING AUTOMATIC APPLICATION BY MINI APPLICATOR

0.4 MAX. CUT-OFF DIMENSION



1) STATO DI FORNITURA -SCALA 1:1- (SUPPLY CONDITION -SCALE 1:1-)



SENSO DI USCITA DEL TERMINALE DALLA BOBINA (DIRECTION OFF TOP OF REEL)

2) CONFEZIONATO IN ACCORDO ALLA AMP SPEC. 107-20211. (PACKAGING ACCORDING TO AMP SPEC. 107-20211).

STAGNATO (TIN PLATED)	BRONZO FOSF. (PH. BRONZE)	0-160640-2	Z
NUDO (UNPLATED)	BRONZO FOSF. (PH. BRONZE)	0-160640-1	Z
FINITURA / COLORE (FINISH / COLOUR)	MATERIALE (MATERIAL)	NUMERO (AMP P/N)	REV

CUSTOMER DWG. FOR REFERENCE ONLY DISEGNO PER CLIENTE SOLO PER RIFERIMENTO

THIS DRAWING IS UNPUBLISHED RELEASE FOR PUBLICATION 19

© COPYRIGHT 19 BY AMP INCORPORATED, HARRISBURG, PA. ALL INTERNATIONAL RIGHT RESERVED. AMP PRODUCTS MAY BE COVERED BY U.S. AND FOREIGN PATENT AND/OR PATENT PENDING

TOLLERANZE, SE NON DIVERSAMENTE SPECIFICATO (TOLERANCES, UNLESS OTHERWISE SPECIFIED)	DIAM. ISOLANTE (INS. DIA. RANGE) mm	RANGO FILO (WIRE RANGE) REF.	SCALA (SCALE)
± 0.3	3.4-4.1	18-16 AWG (0.8-1.5 mm ²)	5:1

ANGOLI (ANGLES) ± 2°

AMP AMP ITALIA S.p.A. Corso F.lli Cervi, 15 COLLEGNO (TORINO)

DIS. H. YAALI (DR.) 11 JAN 2000 DESCRIZIONE (DESCRIPTION) SNAP-IN CLUSTER REC. CONTACT

CONT. C. TARTARI (CHK) 11 JAN 2000

REV. (REV. NO.)	REVISIONI (REVISION RECORD)	DIS. DATA (DR. DATE)
Z	REVISED & REDRAWN ETOO-0407-99	H. Y. 11 JAN 2000

LOC. (LOC.)	SIZE (SIZE)	NUMERO (DWG NO)	REV. (REV.)	FOGLIO (SHEET)
I	A3	C-160640	Z	1 DI 1

DISTRIBUZIONE (PRINT DIST.)