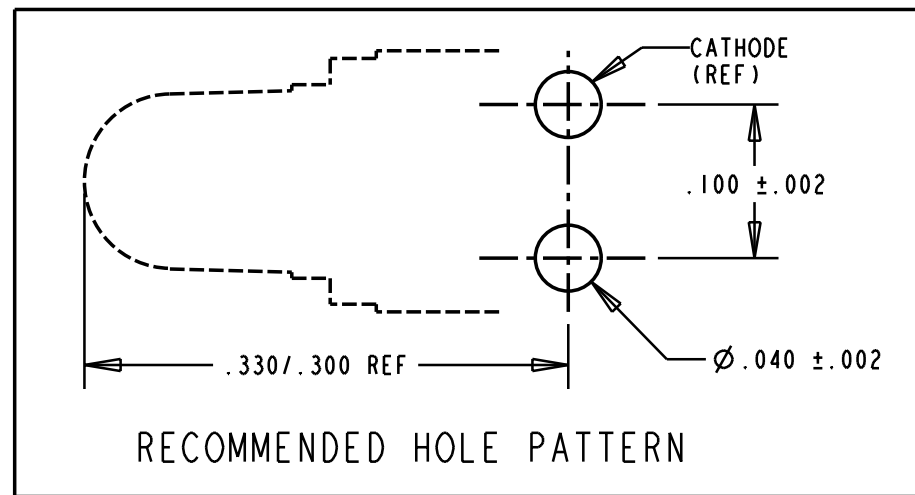


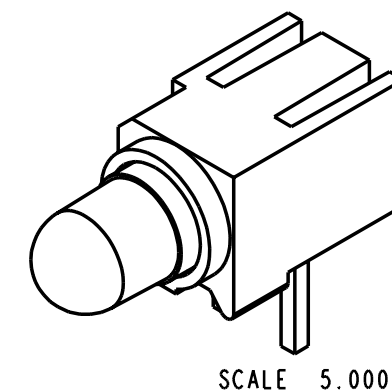
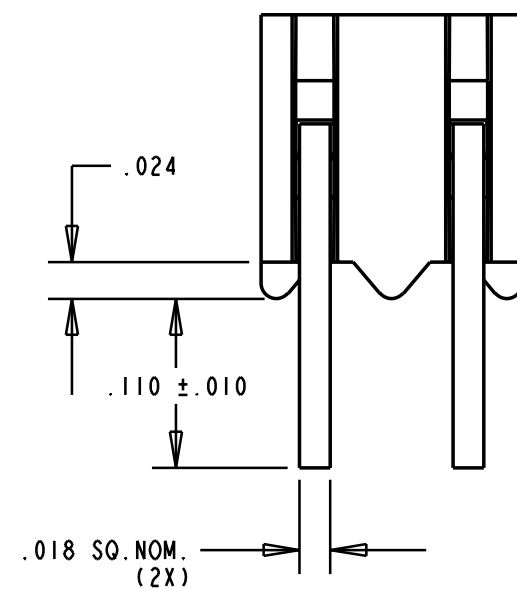
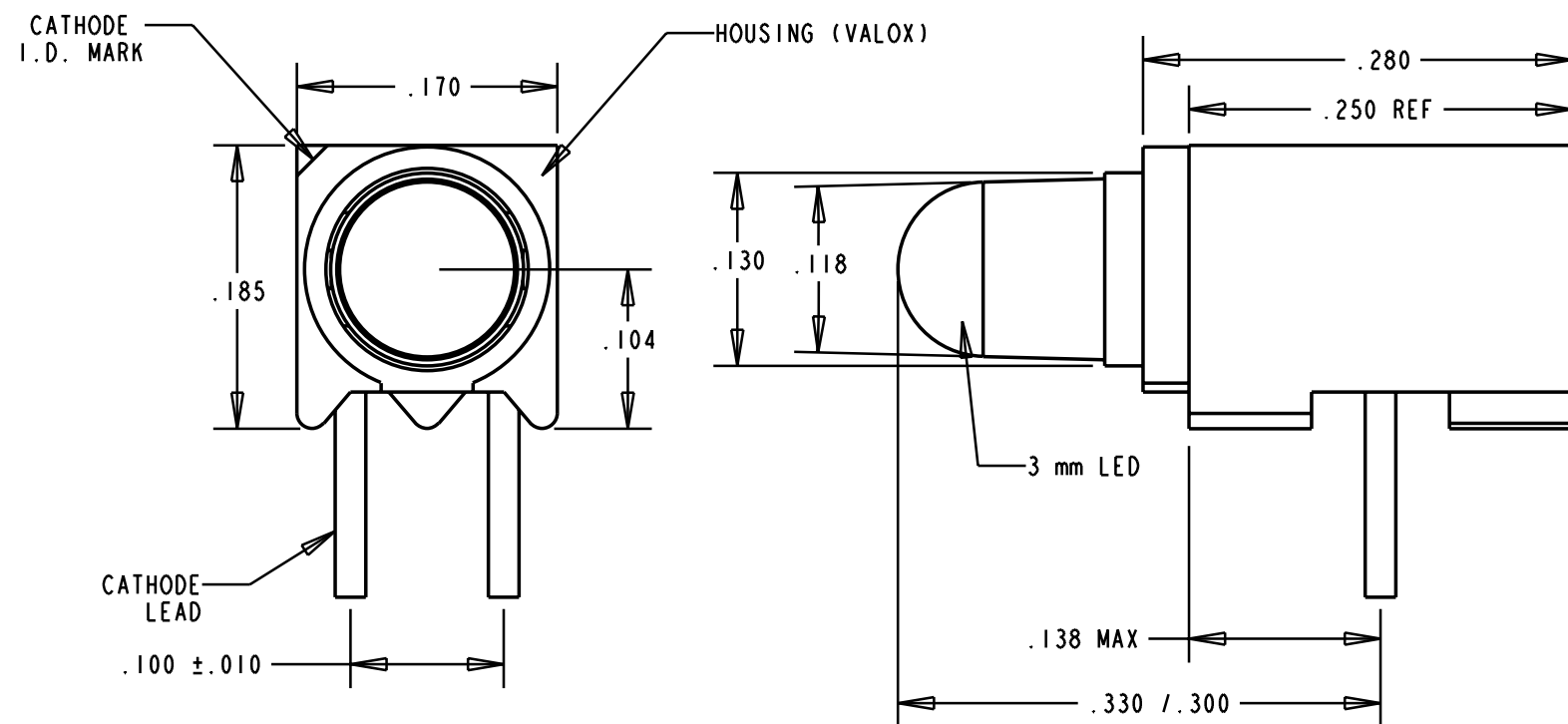
LED COLOR= GREEN DIFFUSED					
OPERATING CHARACTERISTICS AT 25°C AMBIENT					
CHARACTERISTICS	MIN	TYP	MAX	UNITS	TEST CONDITIONS
LUMINOUS INTENSITY	4.7	12.6		mcd	$I_f = 10 \text{ mA}$
FORWARD VOLTAGE		2.1	2.8	V	$I_f = 20 \text{ mA}$
PEAK WAVELENGTH		565		nm	
VIEWING ANGLE		60		Degree	
CAPACITANCE		35		pF	$V = 0, f = 1 \text{ MHz}$

ABSOLUTE MAXIMUM RATING AT 25°C AMBIENT	UNITS	GREEN
POWER DISSIPATION	mW	100
CONTINUOUS FORWARD CURRENT	mA	30
DERATE LINEARLY FROM 50°C	mA/°C	0.4
PEAK FORWARD CURRENT (1/10 DUTY CYCLE, 0.1 ms PULSE WIDTH)	mA	120
REVERSE VOLTAGE	V	5
LEAD SOLDERING TEMPERATURE, 5 SEC., 1/16" FROM BODY	°C	260
OPERATING TEMPERATURE	°C	120
STORAGE TEMPERATURE	°C	-55 TO +100



NOTES :

- LEADS TO FIT INTO HOLES SPACED AS PER HOLE PATTERN
- LEADS SPACING MEASURED AT HOUSING EXIT.
- DIALIGHT PART NUMBER = 551-0001-897



REV.	ECN NO.	REVISIONS	DRN.	CKD.	APP.	DATE
A		NEW RELEASE	DC			

THIS DRAWING AND THE CONTENTS HEREIN ARE CONFIDENTIAL AND THE SOLE PROPERTY OF DIALIGHT. REPRODUCTION OF THIS DRAWING OR CONSTRUCTION OF ANY PARTS WITHIN THIS DRAWING ARE FORBIDDEN WITHOUT THE WRITTEN CONSENT OF DIALIGHT.		
SCALE 8:1	DRAWING NUMBER	REV
ALL DIM'S IN: INCHES	C-16605	A
TOLERANCES: UNLESS OTHERWISE SPECIFIED	TITLE GREEN DIFFUSED 3mm CBI	
FRACTIONS: ±1/64	MATERIAL	
DECIMALS (.XX): ±.02	Dialight	
DECIMALS (.XXX): ±.015	1913 ATLANTIC AVE.	
DECIMALS (.XXXX):	MANASQUAN, N.J. 08736	
ANGLES: ±3°	SHEET OF FAMILY TABLE:	
FINISH:	FSCM 83330	