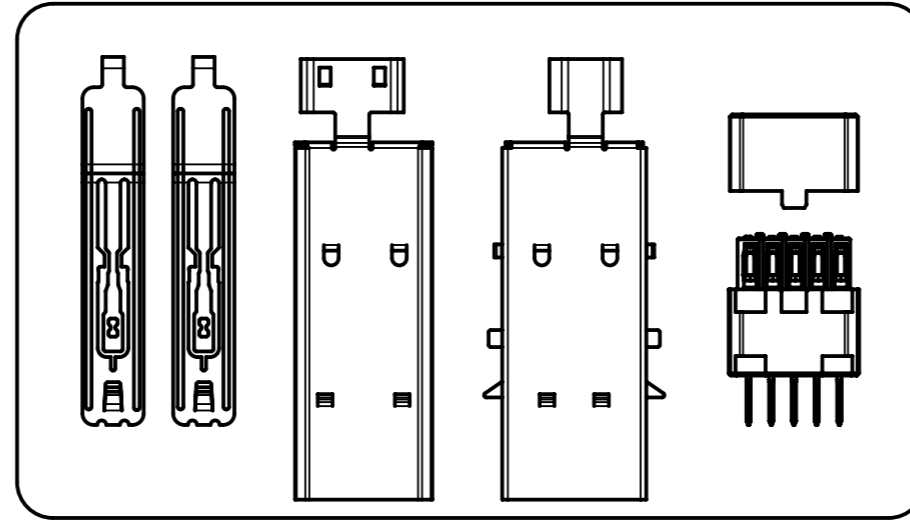
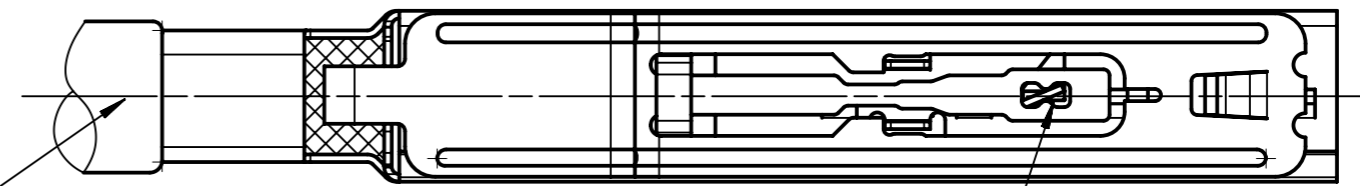
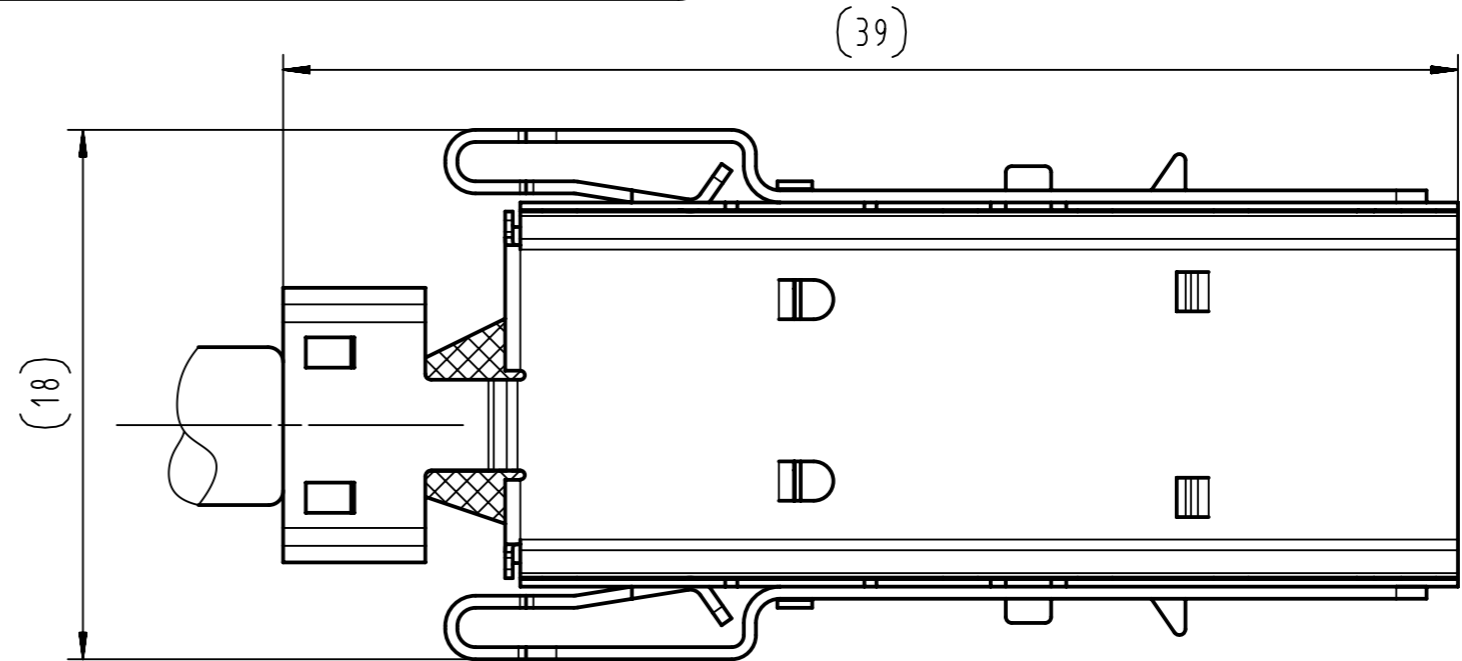
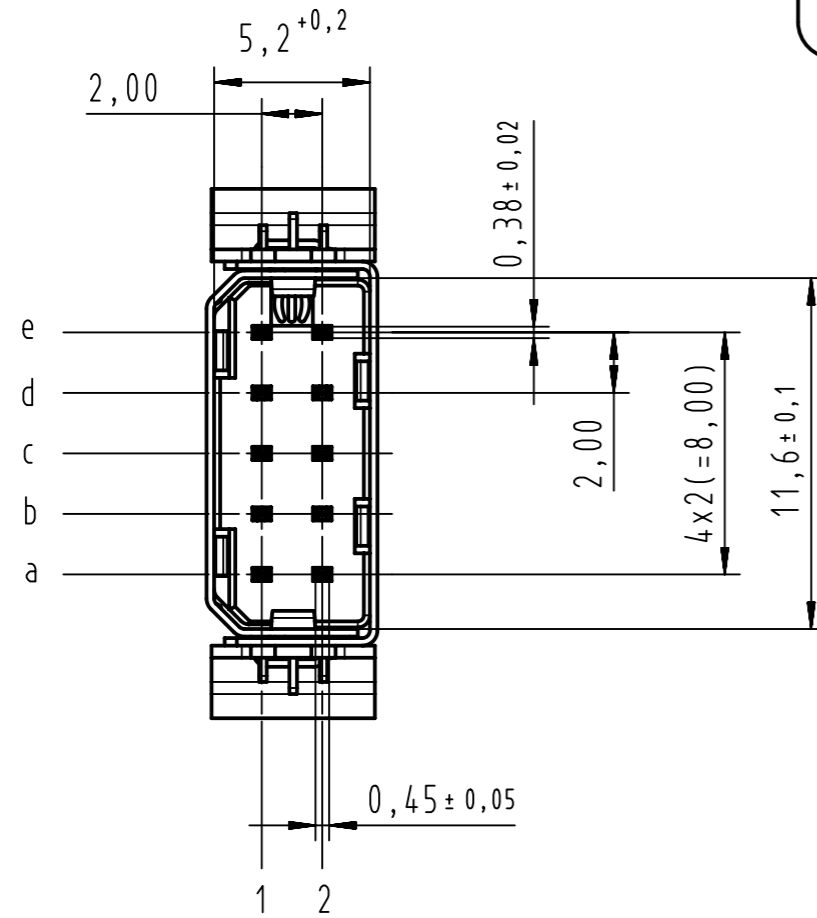
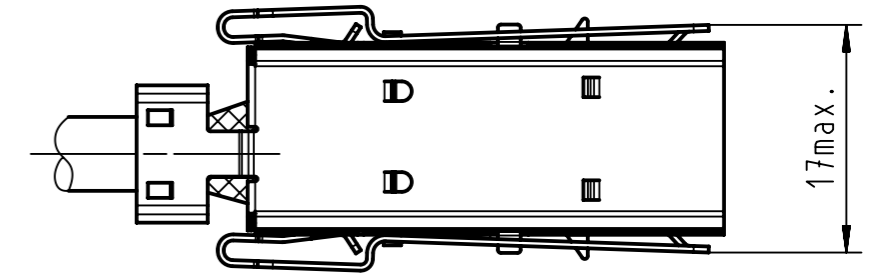


PACKAGING PIECE PARTS



AFTER LATCHES OPENING



Twisting (from 20° to 45°) of front stop over central blade is recommended.

Recommended cable:

Outer insulation diameter 5.33 ± 0.25
Wires gauge from AWG 30 to AWG 24.

	All rights reserved	Scale 5:1	Free size tol.	Ref.	
	Department EC PD - CN	Created by LUOK	Inspected by WANGSTE	Standardisation HOFFMANN	Date 2012-09-28
HARTING Electronics GmbH D-32339 Espelkamp		Title har-link male solder bucket			State Final Release
		Type TB	Number 27111222001	Doc-Key / ECM-Nr. 100228792/UGD/002/B 50000054690	Rev. B Page 1/1