

NCV896530EVB

NCV896530 Evaluation Board User's Manual



ON Semiconductor®

<http://onsemi.com>

EVAL BOARD USER'S MANUAL

Description

The NCV896530EVB evaluation board provides an opportunity to evaluate the NCV896530 in a convenient form factor with an adjustable output. The board contains four potentiometers, allowing the user to coarsely and finely adjust each output independently. The outputs are capability of providing up to 1 A each and 1.6 A total. The two enable pins allow each switcher to be used independently, while the SYNC pin allows you to synchronize the oscillator to an external clock up to 2.7 MHz and the POR pin reports the state of the outputs.

Key Features

- Dual 0.9 V – 3.3 V Adjustable Output
- 1 A Output Current Per Channel, 1.6 A Total
- Fixed Frequency Operation at 2.1 MHz
- 2.7 V – 5.5 V Input Voltage Range
- External Clock Synchronization up to 2.7 MHz
- Output Monitoring
- Automotive Grade



Figure 1. NCV896530EVB Evaluation Board

NCV896530EVB

Table 1. EVALUATION BOARD TERMINAL DESCRIPTION

Terminal	Function
VIN	Positive dc input voltage.
GND	Common dc return.
VOUT1	Dc output voltage for SMPS1.
EN1	Dc enable voltage for SMPS1. A dc logic high enables the device.
VOUT2	Dc output voltage for SMPS2.
EN2	Dc enable voltage for SMPS2. A dc logic high enables the device.
SYNC	External clock synchronization.
POR	Power on reset pin. Pulls low if either output is out of regulation. By default this pin is pulled up to VIN

Table 2. EVALUATION BOARD POTENTIOMETER DESCRIPTIONS

Potentiometer name	Function
V1 ADJ F	Fine adjust for SMPS1 output.
V1 ADJ C	Coarse adjust for SMPS1 output.
V2 ADJ F	Fine adjust for SMPS2 output.
V2 ADJ C	Coarse adjust for SMPS2 output.

Table 3. ABSOLUTE MAXIMUM RATINGS (Voltages are with respect to GND unless otherwise noted)

Rating	Value	Unit
Dc Supply Voltage (VIN)	-0.3 to 6	V
Dc Supply Voltage (EN1,EN2,SYNC)	-0.3 to 6, VIN + 0.3	V
Ambient Temperature	-40 to 105	°C

Stresses exceeding Maximum Ratings may damage the device. Maximum Ratings are stress ratings only. Functional operation above the Recommended Operating Conditions is not implied. Extended exposure to stresses above the Recommended Operating Conditions may affect device reliability.

Table 4. ELECTRICAL CHARACTERISTICS (TA = 25°C, 4.5 ≤ VIN ≤ 18 V, IOUT ≤ 2 A, unless otherwise specified)

Characteristic	Conditions	Typical Value	Unit
OUTPUT VOLTAGE			
Output Voltage	-	0.9 to 3.3	V
Soft-start Time	-	700	μs
SWITCHING REGULATOR			
Switching Frequency	-	2.2	MHz
SYNC Frequency	-	1.8 to 2.7	MHz
CURRENT LIMIT			
Current limit		1.7	A
GENERAL			
Input Undervoltage Lockout (UVLO)	VIN falling	2.4	V
Efficiency	VIN = 5 V, IOUT = 1 A	70	%
Thermal Shutdown		170	°C

NCV896530EVB

TYPICAL WAVEFORMS

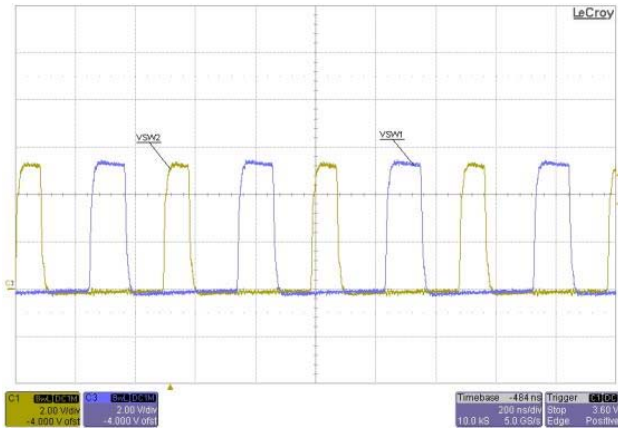


Figure 2. Normal Operation

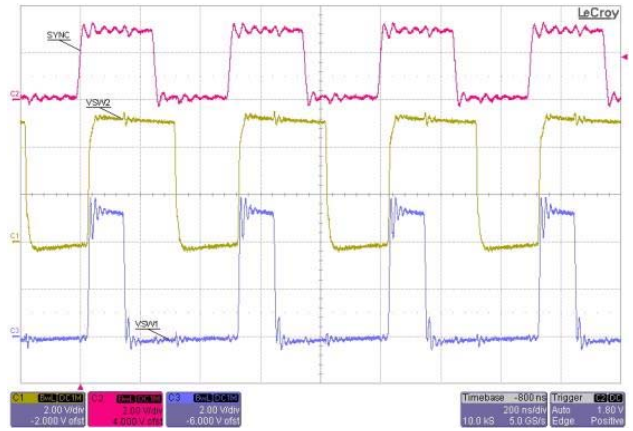


Figure 3. Synchronization

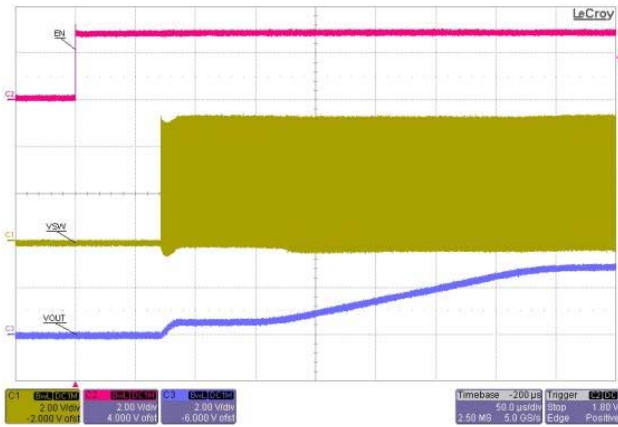
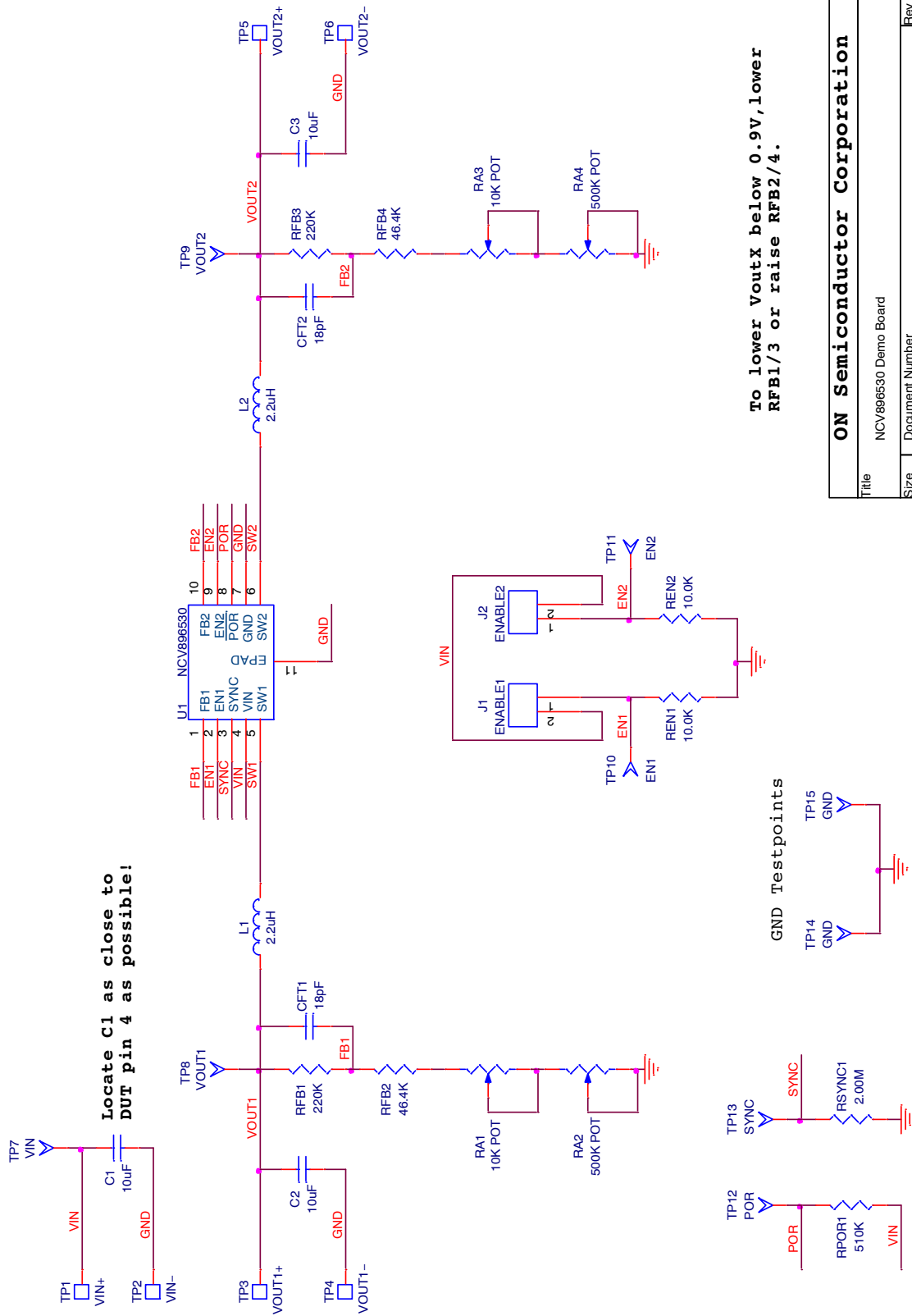


Figure 4. Start Up

SCHMATIC



Title		NCV896530 Demo Board	
Size	A	Document Number	Main Page
Date:	Wednesday, August 28, 2013	Rev	1.00
Sheet	1	of	1

ON Semiconductor Corporation

Figure 5. Evaluation Board Schematic

NCV896530EVB

PCB LAYOUT

NCV896530 Demo Board Rev 1.00 08/28/13
Top Layer

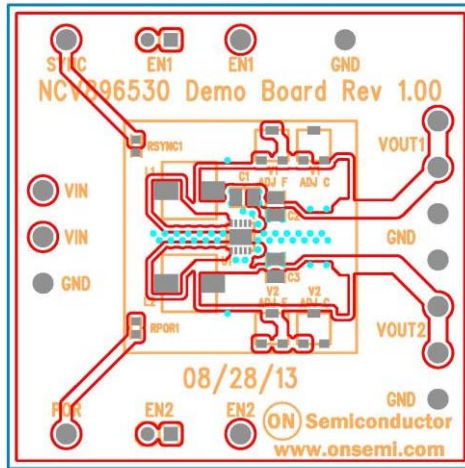


Figure 6. Top Layout

NCV896530 Demo Board Rev 1.00 08/28/13
Bottom Layer (mirrored)

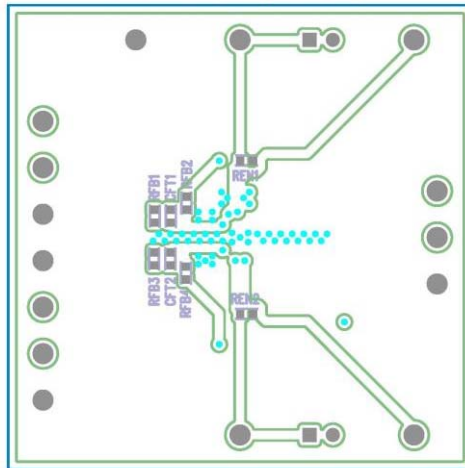



Figure 7. Bottom Layout

NCV896530EVB

BILL OF MATERIALS

Table 5. BILL OF MATERIALS

Reference	Value	PCB Footprint	Manufacturer's Part Number	Digi-Key Part Number
CFT1	18 pF	603	GRM1885C1H180JA01D	490-1409-1-ND
CFT2	18 pF	603	GRM1885C1H180JA01D	490-1409-1-ND
C1	10 μ F	805	GRM21BR71A106KE51L	490-3905-1-ND
C2	10 μ F	805	GRM21BR71A106KE51L	490-3905-1-ND
C3	10 μ F	805	GRM21BR71A106KE51L	490-3905-1-ND
J1	ENABLE1	JMP	22-28-4023	WM6502-ND
J2	ENABLE2	JMP	22-28-4023	WM6502-ND
L1	2.2 μ H	WE-PD-S	7447785002	Wurth Samples
L2	2.2 μ H	WE-PD-S	7447785002	Wurth Samples
RA1	10K POT	PVG3A_POT	PVG3A103C01R00	490-2644-1-ND
RA3	10K POT	PVG3A_POT	PVG3A103C01R00	490-2644-1-ND
RA2	500K POT	PVG3A_POT	PVG3A504C01R00	490-2657-1-ND
RA4	500K POT	PVG3A_POT	PVG3A504C01R00	490-2657-1-ND
REN1	10.0 K	603	CRCW060310K0FKEA	541-10.0KHCT-ND
REN2	10.0 K	603	CRCW060310K0FKEA	541-10.0KHCT-ND
RFB1	220 K	603	CRCW0603220KFKEA	541-220KHCT-ND
RFB3	220 K	603	CRCW0603220KFKEA	541-220KHCT-ND
RFB2	46.4 K	603	CRCW060346K4FKEA	541-46.4KHCT-ND
RFB4	46.4 K	603	CRCW060346K4FKEA	541-46.4KHCT-ND
RPOR1	510 K	603	CRCW0603510KFKEA	541-510KHCT-ND
RSYNC1	2.00 M	603	CRCW06032M00FKEA	541-2.00MHCT-ND
TP1	VIN+	TP		
TP2	VIN-	TP		
TP3	VOUT1+	TP		
TP4	VOUT1-	TP		
TP5	VOUT2+	TP		
TP6	VOUT2-	TP		
TP7	VIN	TP		
TP8	VOUT1	TP		
TP9	VOUT2	TP		
TP10	EN1	TP		
TP11	EN2	TP		
TP12	POR	TP		
TP13	SYNC	TP		
TP14	GND	TP		
TP15	GND	TP		
U1	NCV896530	10PINDFNP5		

ON Semiconductor and  are registered trademarks of Semiconductor Components Industries, LLC (SCILLC). SCILLC owns the rights to a number of patents, trademarks, copyrights, trade secrets, and other intellectual property. A listing of SCILLC's product/patent coverage may be accessed at www.onsemi.com/site/pdf/Patent-Marking.pdf. SCILLC reserves the right to make changes without further notice to any products herein. SCILLC makes no warranty, representation or guarantee regarding the suitability of its products for any particular purpose, nor does SCILLC assume any liability arising out of the application or use of any product or circuit, and specifically disclaims any and all liability, including without limitation special, consequential or incidental damages. "Typical" parameters which may be provided in SCILLC data sheets and/or specifications can and do vary in different applications and actual performance may vary over time. All operating parameters, including "Typicals" must be validated for each customer application by customer's technical experts. SCILLC does not convey any license under its patent rights nor the rights of others. SCILLC products are not designed, intended, or authorized for use as components in systems intended for surgical implant into the body, or other applications intended to support or sustain life, or for any other application in which the failure of the SCILLC product could create a situation where personal injury or death may occur. Should Buyer purchase or use SCILLC products for any such unintended or unauthorized application, Buyer shall indemnify and hold SCILLC and its officers, employees, subsidiaries, affiliates, and distributors harmless against all claims, costs, damages, and expenses, and reasonable attorney fees arising out of, directly or indirectly, any claim of personal injury or death associated with such unintended or unauthorized use, even if such claim alleges that SCILLC was negligent regarding the design or manufacture of the part. SCILLC is an Equal Opportunity/Affirmative Action Employer. This literature is subject to all applicable copyright laws and is not for resale in any manner.

PUBLICATION ORDERING INFORMATION

LITERATURE FULFILLMENT:

Literature Distribution Center for ON Semiconductor
P.O. Box 5163, Denver, Colorado 80217 USA
Phone: 303-675-2175 or 800-344-3860 Toll Free USA/Canada
Fax: 303-675-2176 or 800-344-3867 Toll Free USA/Canada
Email: orderlit@onsemi.com

N. American Technical Support: 800-282-9855 Toll Free
USA/Canada
Europe, Middle East and Africa Technical Support:
Phone: 421 33 790 2910
Japan Customer Focus Center
Phone: 81-3-5817-1050

ON Semiconductor Website: www.onsemi.com
Order Literature: <http://www.onsemi.com/orderlit>
For additional information, please contact your local
Sales Representative