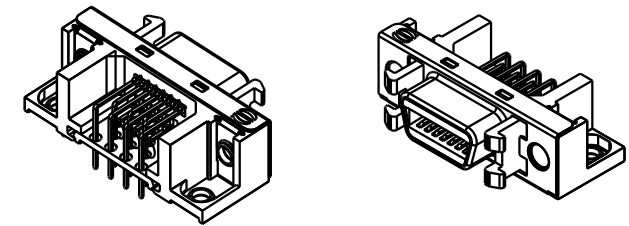
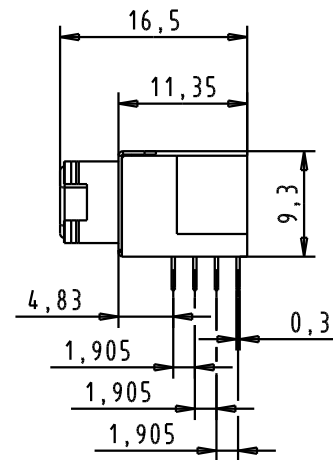
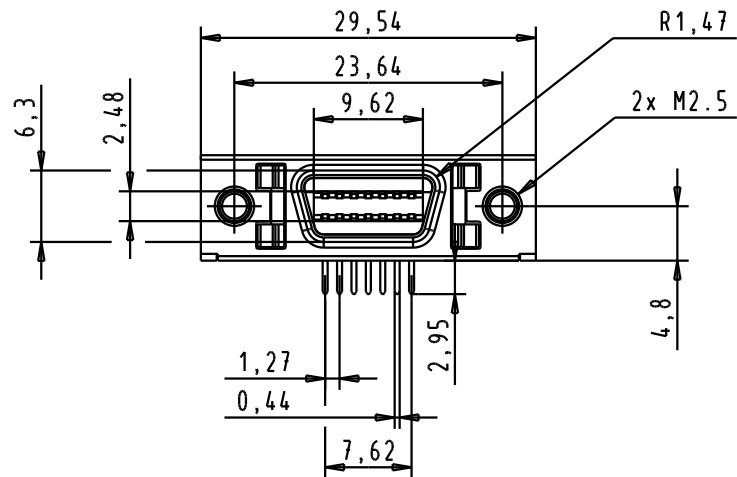




PCB Layout: component side



According to IEC 61076-3-100

				Dat.	Name	 All Dim. in mm Orig. Size DIN A 4	har.mik	I/O bellow	Moßstab/ Scale
			Detail.	11 Jul 2006	ED		14 poles female SMC with angled solder pins, thread hole M2.5, fixed latches	1.5:1	
			Insp.						
			Stand.						
33795	07 Aug 2006	ED	HARTING EURL F-95972 Paris				TB 60 11 014 5732	Blatt/ Page 1 / 1	
33781	12 Jul 2006	ED							
Mod.	Dat.	Name							
							Sub.		