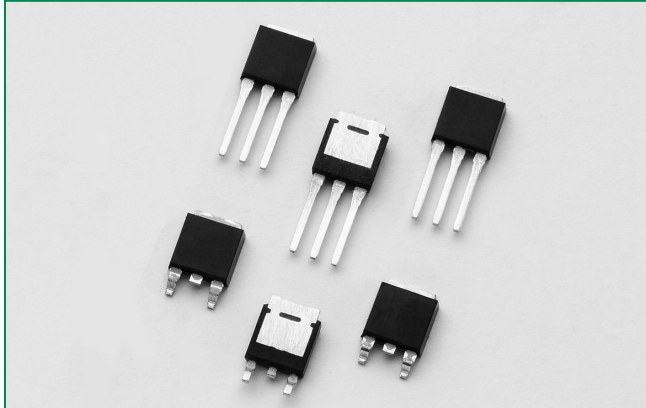


LJxx08xx & QJxx08xHx Series



Description

This 8 A High Temperature Alternistor Triac solid state switch series is designed for AC switching and phase control applications such as motor speed and temperature modulation controls, lighting controls, and static switching relays.

Sensitive type components guarantee gate control in Quadrants I & IV needed for digital control circuitry.

Alternistor type components only operate in quadrants I, II, & III and are used in circuits requiring high dv/dt capability.

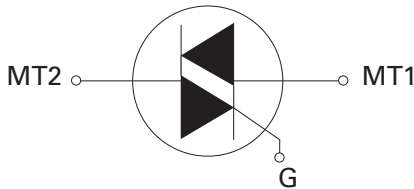
Main Features

Symbol	Value	Unit
$I_{T(RMS)}$	8	A
V_{DRM}/V_{RRM}	400 or 600	V
$I_{GT(Q1)}$	10 to 35	mA

Features & Benefits

- ~~RoHS compliant~~
- 150°C maximum junction temperature
- Voltage capability up to 600V
- Surge capability up to 84A at 60Hz half cycle
- Solid-state switching eliminates arcing or contact bounce that create voltage transients
- No contacts to wear out from reaction of switching events
- Restricted (or limited) RFI generation, depending on activation point of sine wave
- Requires only a small gate activation pulse in each half-cycle
- Halogen free and RoHS compliant

Schematic Symbol



PRELIMINARY & CONFIDENTIAL
 Littelfuse, Inc. has characterized initial samples of this device and is currently conducting reliability testing. Parts numbers and specifications are subject to change until the datasheet is made final.

Applications

Excellent for AC switching and phase control applications such as heating, lighting, and motor speed controls.

Typical applications are AC solid-state switches, light dimmers, power tools, home/brown goods and white goods appliances.

Alternistor Triacs (no snubber required) are used in applications with high inductive loads requiring the highest commutation performance.

Internally constructed isolated packages are offered for ease of heat sinking with highest isolation voltage.

Absolute Maximum Ratings — Sensitive Triac (4 Quadrants)

Symbol	Parameter		Value	Unit		
V_{DSM}/V_{RSM}	Peak non-repetitive blocking voltage		Pw=100 μ s	700	V	
$I_{T(RMS)}$	RMS on-state current (full sine wave)		LJxx08Vy/LJxx08Dy	$T_C = 130^\circ\text{C}$	8	A
I_{TSM}	Non repetitive surge peak on-state current (full cycle, T_J initial = 25°C)	f = 50 Hz	t = 20 ms	70	A	
		f = 60 Hz	t = 16.7 ms	84		
I^2t	I^2t Value for fusing		$t_p = 8.3$ ms	29	A^2s	
di/dt	Critical rate of rise of on-state current $I_G = 50\text{mA}$ with 0.1 μ s rise time		f = 60 Hz	$T_J = 150^\circ\text{C}$	150	A/ μ s
I_{GTM}	Peak gate trigger current		$t_p \leq 10$ μ s	$T_J = 150^\circ\text{C}$	0.2	A
$P_{G(AV)}$	Average gate power dissipation		$T_J = 150^\circ\text{C}$	0.3	W	
T_{stg}	Storage temperature range			-40 to 150	$^\circ\text{C}$	
T_J	Operating junction temperature range			-40 to 150	$^\circ\text{C}$	

Note: xx=voltage/10, y = sensitivity

Absolute Maximum Ratings — Alternistor (3 Quadrants)

Symbol	Parameter		Value	Unit		
V_{DSM}/V_{RSM}	Peak non-repetitive blocking voltage		Pw=100 μ s	700	V	
$I_{T(RMS)}$	RMS on-state current (full sine wave)		QJxx08VHy/QJxx08DHy	$T_C = 120^\circ\text{C}$	8	A
I_{TSM}	Non repetitive surge peak on-state current (full cycle, T_J initial = 25°C)	f = 50 Hz	t = 20 ms	70	A	
		f = 60 Hz	t = 16.7 ms	84		
I^2t	I^2t Value for fusing		$t_p = 8.3$ ms	29	A^2s	
di/dt	Critical rate of rise of on-state current		f = 60 Hz	$T_J = 150^\circ\text{C}$	70	A/ μ s
I_{GTM}	Peak gate trigger current		$t_p \leq 10$ μ s; $I_{GT} \leq I_{GTM}$	$T_J = 150^\circ\text{C}$	1.6	A
$P_{G(AV)}$	Average gate power dissipation		$T_J = 150^\circ\text{C}$	$I_{GT} = 10\text{mA}$	0.4	W
T_{stg}	Storage temperature range			-40 to 150	$^\circ\text{C}$	
T_J	Operating junction temperature range			-40 to 150	$^\circ\text{C}$	

Note: xx=voltage/10, y = sensitivity

Electrical Characteristics ($T_J = 25^\circ\text{C}$, unless otherwise specified) — Sensitive Triac (4 Quadrants)

Symbol	Test Conditions	Quadrant		LJxx08x8	Unit
I_{GT}	$V_D = 12\text{V}$ $R_L = 60 \Omega$	I – II – III IV	MAX.	10 20	mA
V_{GT}		ALL	MAX.	1.3	
V_{GD}	$V_D = V_{DRM}$ $R_L = 3.3 \text{ k}\Omega$ $T_J = 150^\circ\text{C}$	ALL	MIN.	0.15	V
I_H	$I_T = 100\text{mA}$		MAX.	25	mA
dv/dt	$V_D = V_{DRM}$ Gate Open $T_J = 150^\circ\text{C}$	400V	TYP.	80	V/ μ s
		600V		50	
(dv/dt)c	(di/dt)c = 4.3 A/ms $T_J = 150^\circ\text{C}$		TYP.	2	V/ μ s
t_{gt}	$I_G = 100\text{mA}$ PW = 15 μ s $I_T = 11.3 \text{ A(pk)}$		TYP.	12	μ s

Note: xx=voltage/10, x = package,

Electrical Characteristics ($T_j = 25^\circ\text{C}$, unless otherwise specified) — Alternistor Triac (3 Quadrants)

Symbol	Test Conditions	Quadrant		QJxx08xH3	QJxx08xH4	Unit
I_{GT}	$V_D = 12V$ $R_L = 60 \Omega$	I – II – III	MAX.	10	35	mA
V_{GT}		I – II – III	MAX.	1.3		V
V_{GD}	$V_D = V_{DRM}$ $R_L = 3.3 k\Omega$ $T_j = 150^\circ\text{C}$	I – II – III	MIN.	0.15		V
I_H	$I_T = 100\text{mA}$		MAX.	25	35	mA
dv/dt	$V_D = V_{DRM}$ Gate Open $T_j = 150^\circ\text{C}$		MIN.	400V	150	V/ μs
(dv/dt)c				600V	100	
(di/dt)c	(di/dt)c = 4.3 A/ms $T_j = 150^\circ\text{C}$		MIN.	15	20	V/ μs
t_{gt}	$I_G = 100\text{mA}$ $PW = 15\mu\text{s}$ $I_T = 11.3 \text{A(pk)}$		TYP.	10	10	μs

Note: xx=voltage/10, x = package

Static Characteristics

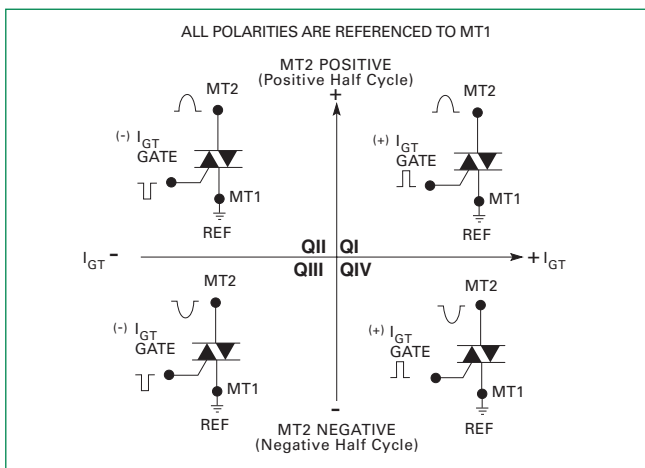
Symbol	Test Conditions		Value	Unit
V_{TM}	$I_{TM} = 11.3\text{A}$ $t_p = 380 \mu\text{s}$		MAX.	1.50 V
I_{DRM} I_{RRM}	$V_{DRM} = V_{RRM}$	LJxx08xy	$T_j = 25^\circ\text{C}$	10 μA
			$T_j = 125^\circ\text{C}$	0.5 mA
			$T_j = 150^\circ\text{C}$	3 mA
		QJxx08xHy	$T_j = 25^\circ\text{C}$	10 μA
			$T_j = 125^\circ\text{C}$	0.5 mA
			$T_j = 150^\circ\text{C}$	3 mA

Note: xx=voltage/10, x=package, y = sensitivity

Thermal Resistances

Symbol	Parameter	Value	Unit
$R_{\theta(JC)}$	Junction to case (AC)	1.5	$^\circ\text{C/W}$
$R_{\theta(J-A)}$	Junction to ambient	70	$^\circ\text{C/W}$

Figure 1: Definition of Quadrants



Note: Alternistors will not operate in QIV

Figure 2: Normalized DC Gate Trigger Current for All Quadrants vs. Junction Temperature

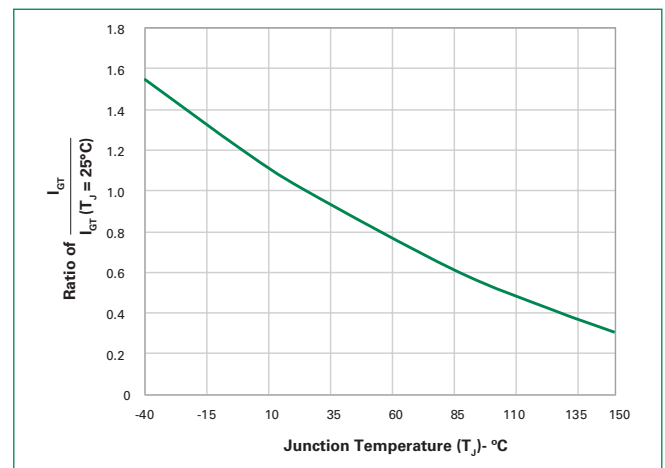


Figure 3: Normalized DC Holding Current vs. Junction Temperature

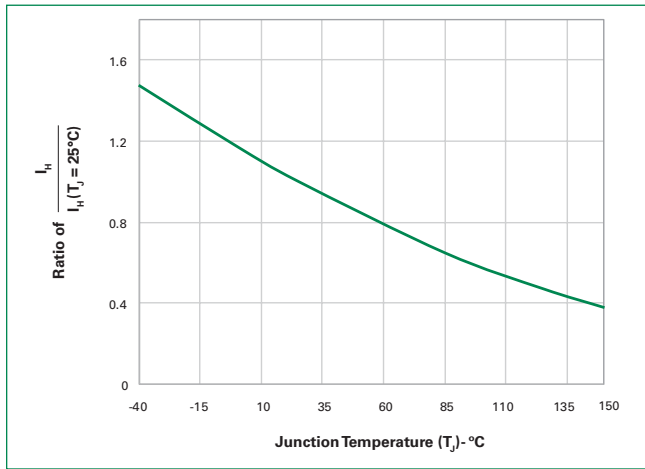


Figure 4: Normalized DC Gate Trigger Voltage for All Quadrants vs. Junction Temperature

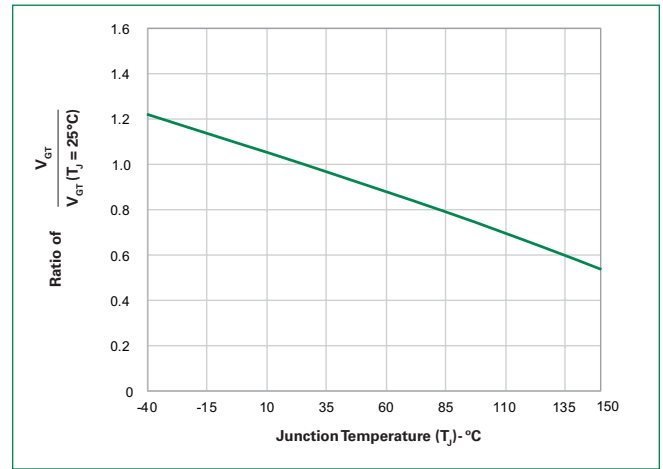


Figure 5: Power Dissipation (Typical) vs. RMS On-State Current

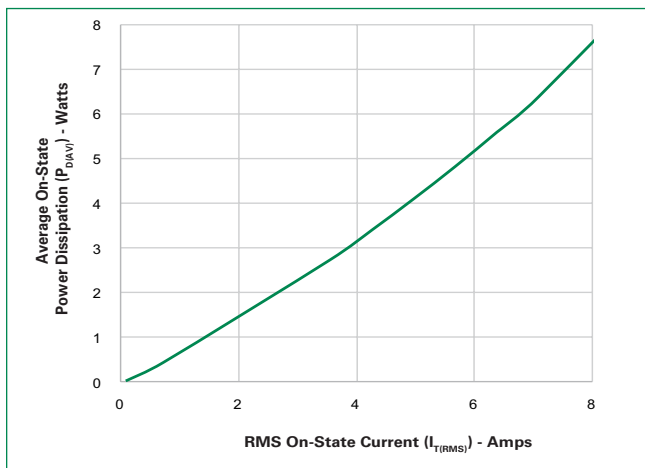


Figure 6: Maximum Allowable Case Temperature vs. On-State Current

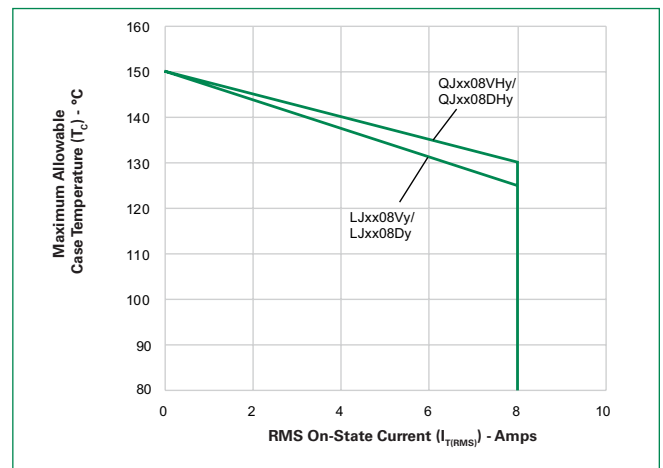
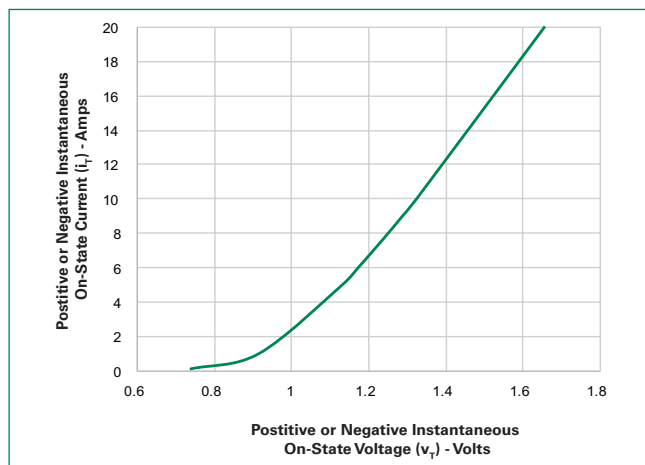


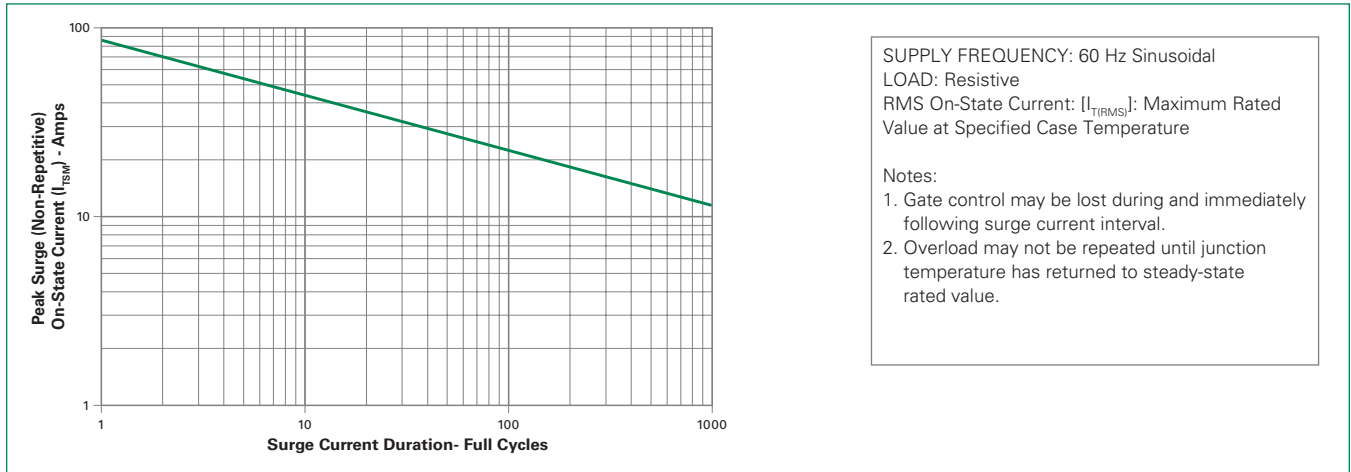
Figure 7: On-State Current vs. On-State Voltage (Typical)



PRELIMINARY & CONFIDENTIAL

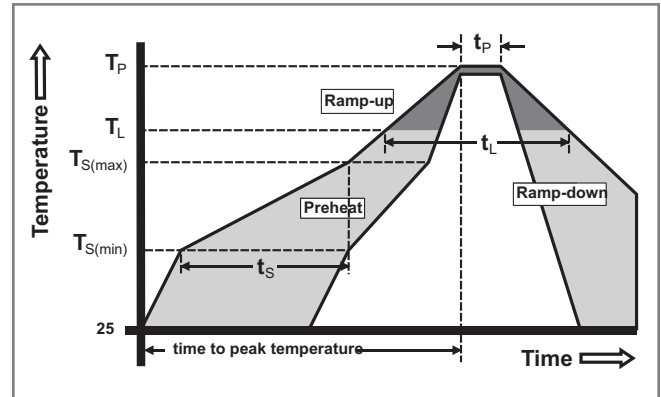
Littelfuse, Inc. has characterized initial samples of this device and is currently conducting reliability testing. Parts numbers and specifications are subject to change until the datasheet is made final.

Figure 8: Surge Peak On-State Current vs. Number of Cycles



Soldering Parameters

Reflow Condition		Pb – Free assembly
Pre Heat	- Temperature Min ($T_{s(min)}$)	150°C
	- Temperature Max ($T_{s(max)}$)	200°C
	- Time (min to max) (t_s)	60 – 180 secs
Average ramp up rate (Liquidus Temp (T_L) to peak)		5°C/second max
$T_{s(max)}$ to T_L - Ramp-up Rate		5°C/second max
Reflow	- Temperature (T_L) (Liquidus)	217°C
	- Time (t_L)	60 – 150 seconds
Peak Temperature (T_p)		260 ^{+0/-5} °C
Time within 5°C of actual peak Temperature (t_p)		20 – 40 seconds
Ramp-down Rate		5°C/second max
Time 25°C to peak Temperature (T_p)		8 minutes Max.
Do not exceed		280°C



Physical Specifications

Terminal Finish	100% Matte Tin-plated
Body Material	UL recognized compound meeting flammability rating V-0.
Terminal Material	Copper Alloy

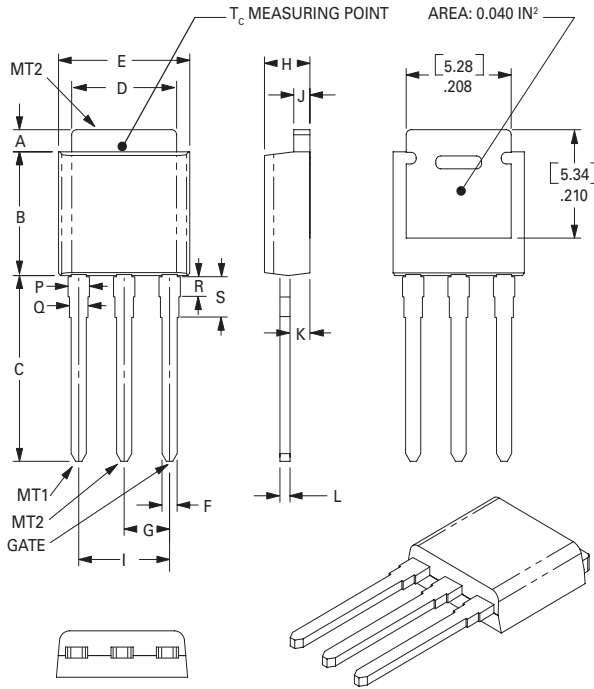
Design Considerations

Careful selection of the correct component for the application's operating parameters and environment will go a long way toward extending the operating life of the Thyristor. Good design practice should limit the maximum continuous current through the main terminals to 75% of the component rating. Other ways to ensure long life for a power discrete semiconductor are proper heat sinking and selection of voltage ratings for worst case conditions. Overheating, overvoltage (including dv/dt), and surge currents are the main killers of semiconductors. Correct mounting, soldering, and forming of the leads also help protect against component damage.

Environmental Specifications

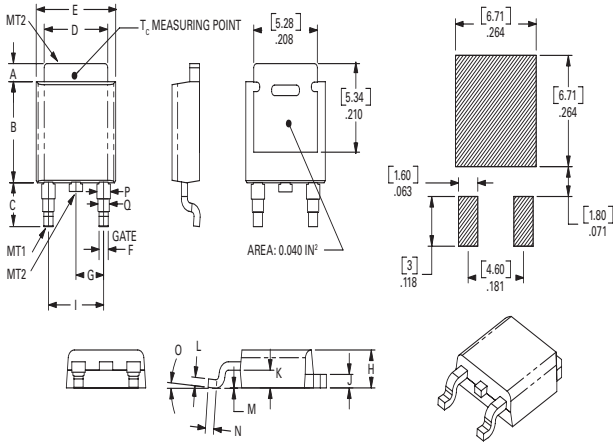
Test	Specifications and Conditions
AC Blocking (V_{DRM})	MIL-STD-750, M-1040, Cond A Applied Peak AC voltage @ 150°C for 1008 hours
Temperature Cycling	MIL-STD-750, M-1051, 100 cycles; -55°C to +150°C; 15-min dwell-time
Temperature/Humidity	EIA / JEDEC, JESD22-A101 1008 hours; 160V - DC: 85°C; 85% rel humidity
High Temp Storage	MIL-STD-750, M-1031, 1008 hours; 150°C
Low-Temp Storage	1008 hours; -40°C
Resistance to Solder Heat	MIL-STD-750 Method 2031
Solderability	ANSI/J-STD-002, category 3, Test A
Lead Bend	MIL-STD-750, M-2036 Cond E

Dimensions — TO-251AA (V-Package) — V-PAK Through Hole



Dimension	Inches			Millimeters		
	Min	Typ	Max	Min	Typ	Max
A	0.037	0.040	0.043	0.94	1.01	1.09
B	0.235	0.242	0.245	5.97	6.15	6.22
C	0.350	0.361	0.375	8.89	9.18	9.53
D	0.205	0.208	0.213	5.21	5.29	5.41
E	0.255	0.262	0.265	6.48	6.66	6.73
F	0.027	0.031	0.033	0.69	0.80	0.84
G	0.087	0.090	0.093	2.21	2.28	2.36
H	0.085	0.092	0.095	2.16	2.34	2.41
I	0.176	0.180	0.184	4.47	4.57	4.67
J	0.018	0.020	0.023	0.46	0.51	0.58
K	0.035	0.037	0.039	0.90	0.95	1.00
L	0.018	0.020	0.023	0.46	0.52	0.58
P	0.042	0.047	0.052	1.06	1.20	1.32
Q	0.034	0.039	0.044	0.86	1.00	1.11
R	0.034	0.039	0.044	0.86	1.00	1.11
S	0.074	0.079	0.084	1.86	2.00	2.11

Dimensions — TO-252AA (D-Package) — D-PAK Surface Mount



Dimension	Inches			Millimeters		
	Min	Typ	Max	Min	Typ	Max
A	0.037	0.040	0.043	0.94	1.01	1.09
B	0.235	0.243	0.245	5.97	6.16	6.22
C	0.106	0.108	0.113	2.69	2.74	2.87
D	0.205	0.208	0.213	5.21	5.29	5.41
E	0.255	0.262	0.265	6.48	6.65	6.73
F	0.027	0.031	0.033	0.69	0.80	0.84
G	0.087	0.090	0.093	2.21	2.28	2.36
H	0.085	0.092	0.095	2.16	2.33	2.41
I	0.176	0.179	0.184	4.47	4.55	4.67
J	0.018	0.020	0.023	0.46	0.51	0.58
K	0.035	0.037	0.039	0.90	0.95	1.00
L	0.018	0.020	0.023	0.46	0.51	0.58
M	0.000	0.000	0.004	0.00	0.00	0.10
N	0.021	0.026	0.027	0.53	0.67	0.69
O	0°	0°	5°	0°	0°	5°
P	0.042	0.047	0.052	1.06	1.20	1.32
Q	0.034	0.039	0.044	0.86	1.00	1.11

PRELIMINARY & CONFIDENTIAL

Littelfuse, Inc. has characterized initial samples of this device and is currently conducting reliability testing. Parts numbers and specifications are subject to change until the datasheet is made final.

Product Selector

Part Number	Voltage		Gate Sensitivity Quadrants		Type	Package
	400V	600V	I – II – III	IV		
LJxx08D8	x	x	10mA	20mA	Sensitive Triac	TO-252 D-PAK
LJxx08V8	x	x	10mA	20mA	Sensitive Triac	TO-251 V-PAK
QJxx08DH3	x	x	10mA		Alternistor Triac	TO-252 D-PAK
QJxx08VH3	x	x	10mA		Alternistor Triac	TO-251 V-PAK
QJxx08DH4	x	x	25mA		Alternistor Triac	TO-252 D-PAK
QJxx08VH4	x	x	25mA		Alternistor Triac	TO-251 V-PAK

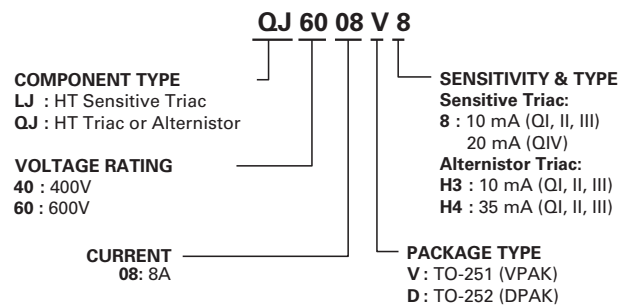
Note: xx=voltage/10.

Packing Options

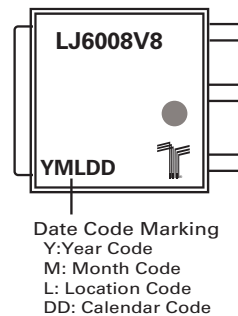
Part Number	Marking	Weight	Packing Mode	Base Quantity
LJxx08D8TP	LJxx08D8	0.3g	Tube Pack	750(75 per tube)
LJxx08D8RP	LJxx08D8	0.3g	Embossed Carrier	2500
LJxx08V8TP	LJxx08V8	0.4g	Tube Pack	750(75 per tube)
QJxx08DH3TP	QJxx08DH3	0.3g	Tube Pack	750(75 per tube)
QJxx08DH3RP	QJxx08DH3	0.3g	Embossed Carrier	2500
QJxx08VH3TP	QJxx08VH3	0.4g	Tube Pack	750(75 per tube)
QJxx08DH4TP	QJxx08DH4	0.3g	Tube Pack	750(75 per tube)
QJxx08DH4RP	QJxx08DH4	0.3g	Embossed Carrier	2500
QJxx08VH4TP	QJxx08VH4	0.4g	Tube Pack	750(75 per tube)

Note: xx=voltage/10

Part Numbering System



Part Marking System

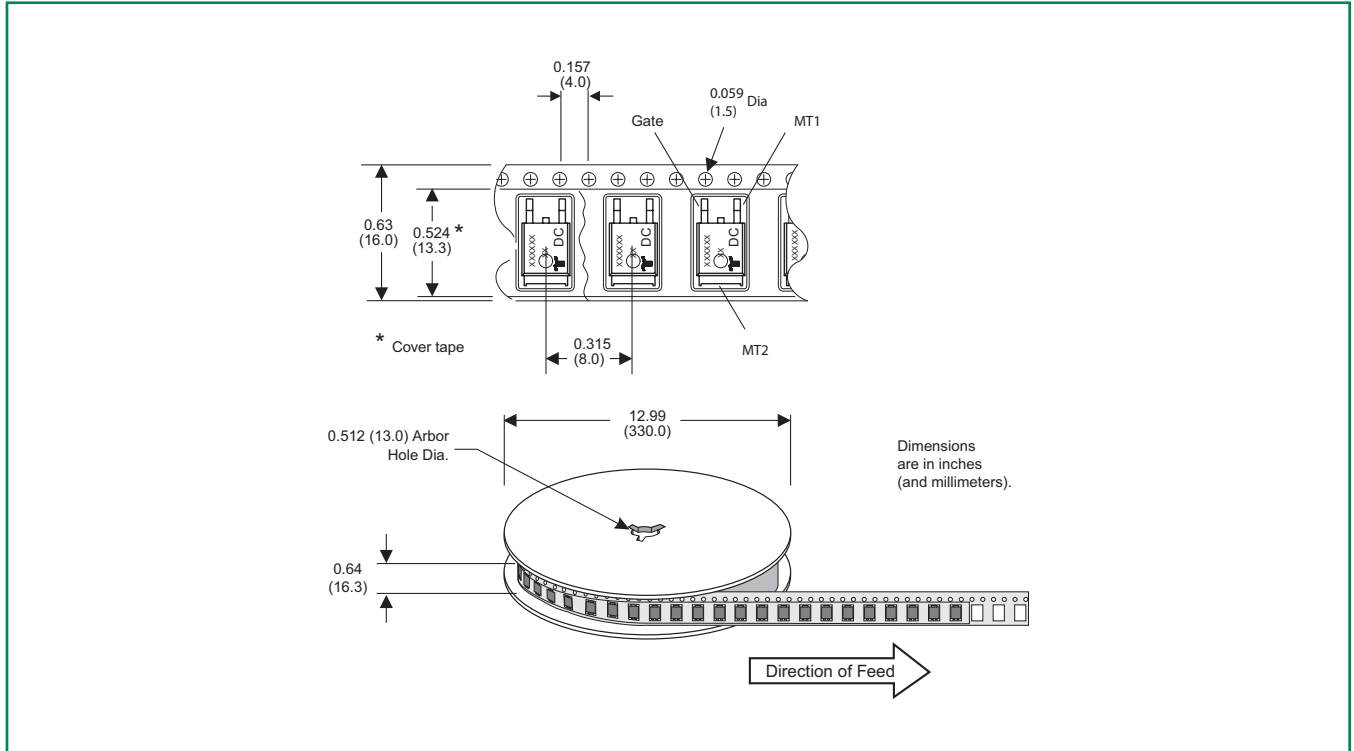


PRELIMINARY & CONFIDENTIAL

Littelfuse, Inc. has characterized initial samples of this device and is currently conducting reliability testing. Parts numbers and specifications are subject to change until the datasheet is made final.

TO-252 Embossed Carrier Reel Pack (RP) Specifications

Meets all EIA-481-2 Standards



PRELIMINARY & CONFIDENTIAL

Littelfuse, Inc. has characterized initial samples of this device and is currently conducting reliability testing. Parts numbers and specifications are subject to change until the datasheet is made final.

Disclaimer Notice - Information furnished is believed to be accurate and reliable. However, users should independently evaluate the suitability of and test each product selected for their own applications. Littelfuse products are not designed for, and may not be used in, all applications. Read complete Disclaimer Notice at <http://www.littelfuse.com/disclaimer-electronics>.