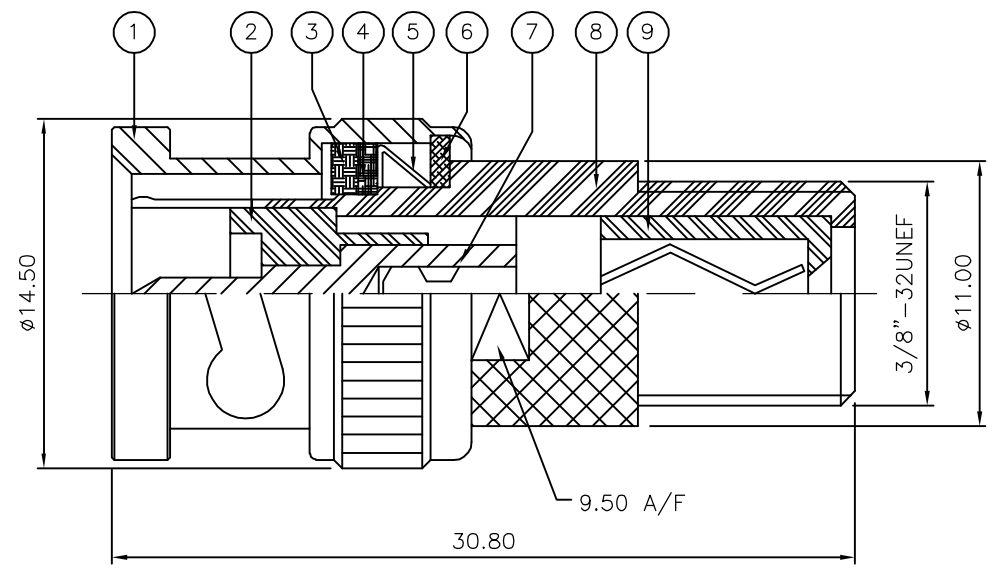


THIS DRAWING IS UNPUBLISHED. RELEASED FOR PUBLICATION JAN , 2006.  
 © COPYRIGHT 2006 BY TYCO ELECTRONICS CORPORATION. ALL RIGHTS RESERVED.

LOC	DIST	REVISIONS			
P	LTR	DESCRIPTION	DATE	DWN	APVD
	C	ECR-05-017969	12JAN06	JMS	FWK

- NOTES:
- 1 PACK IN ACCORDANCE WITH AMP SPEC 107-3275
  - 2 100 TRAY PACK IN ACCORDANCE WITH AMP SPEC 107-3275
  - 3 Au PLATING
  - 4 Ni PLATING
  - 5 THIS ITEM MUST BE WHITE
  - 6 INFO REQD.



QTY	QTY	MATERIAL	DESCRIPTION	ITEM
1	1	PP	INSULATION	9
1	1	BRASS	△4 BODY	8
1	1	BRASS	△3 CONTACT	7
1	1	BRASS	△4 WASHER	6
1	1	SPRING STEEL	SPRING	5
1	1	BRASS	△4 RETAINING RING	4
1	1	SILICON RUBBER	△5 GASKET	3
1	1	PTFE	INSULATION	2
1	1	BRASS	△4 SHELL	1
6--0	1--0	MATERIAL	DESCRIPTION	ITEM

QUANTITY PER ASSY PARTS LIST

THIS DRAWING IS A CONTROLLED DOCUMENT.		DWN J.SANDWELL 12JAN06	Tyco Electronics Corporation Bideford EX39 4HE
DIMENSIONS: mm		CHK S.PARLOW 12JAN06	
		APVD F.WHEELER-KING 12JAN06	NAME INTER-SERIES ADAPTOR 75 OHM BNC P-FJ
TOLERANCES UNLESS OTHERWISE SPECIFIED:		PRODUCT SPEC	SIZE A3
0 PLC ± - 1 PLC ± - 2 PLC ± - 3 PLC ± - 4 PLC ± - ANGLES ± -		APPLICATION SPEC	CAGE CODE 00779
MATERIAL SEE TABLE		WEIGHT -	DRAWING NO C-1337487
FINISH -		CUSTOMER DRAWING	RESTRICTED TO -
		SCALE NTS	SHEET 1 OF 1
			REV C