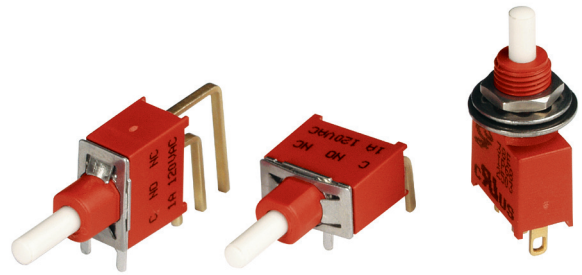


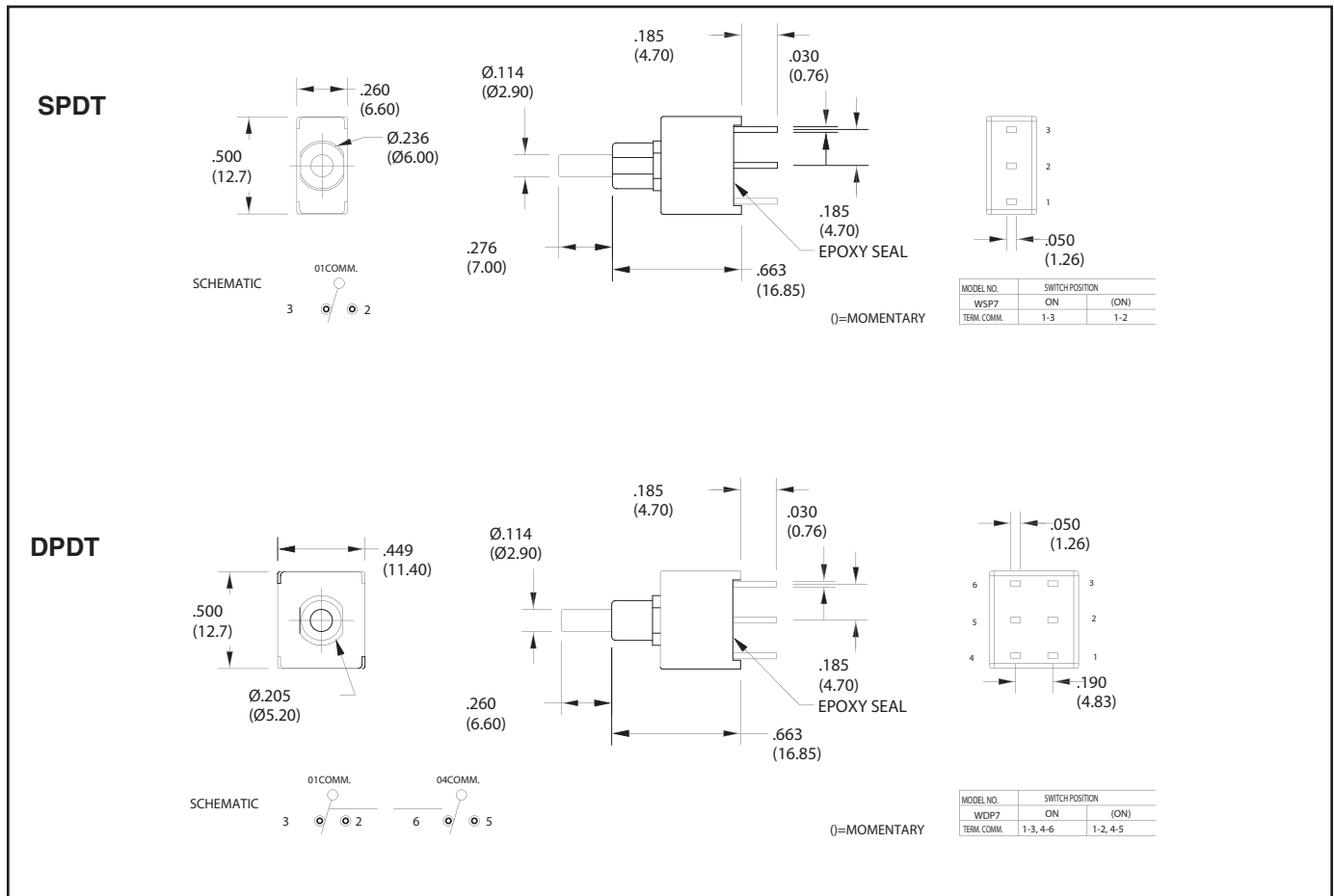
SERIES 38E Sealed Snap Action Miniature Pushbutton Switches

FEATURES

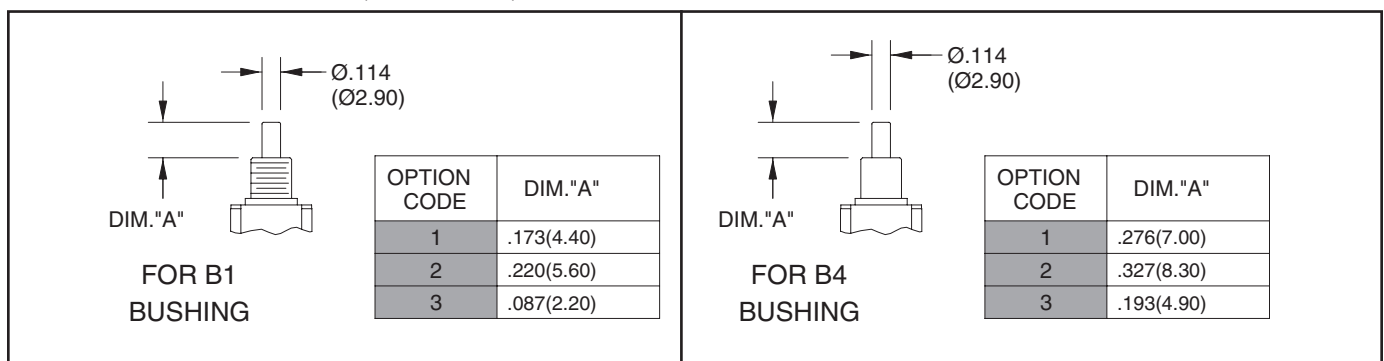
- SPDT and DPDT Circuitry
- Choice of Bushings, and Terminations
- UL Recognized
- IP-68 Degree of Protection
- RoHS Compliant



DIMENSIONS in inches (and millimeters)

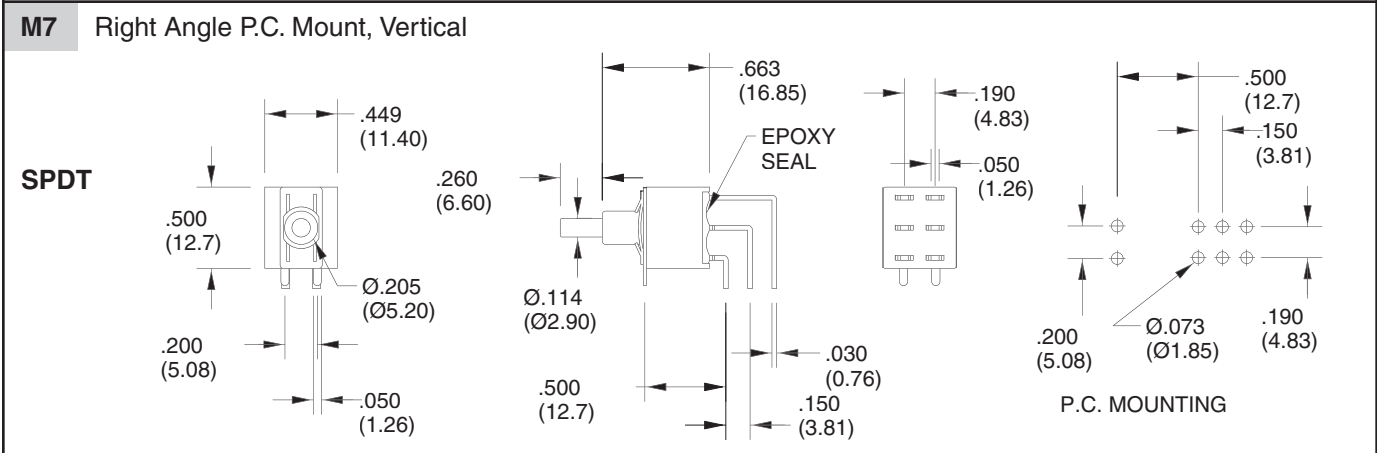
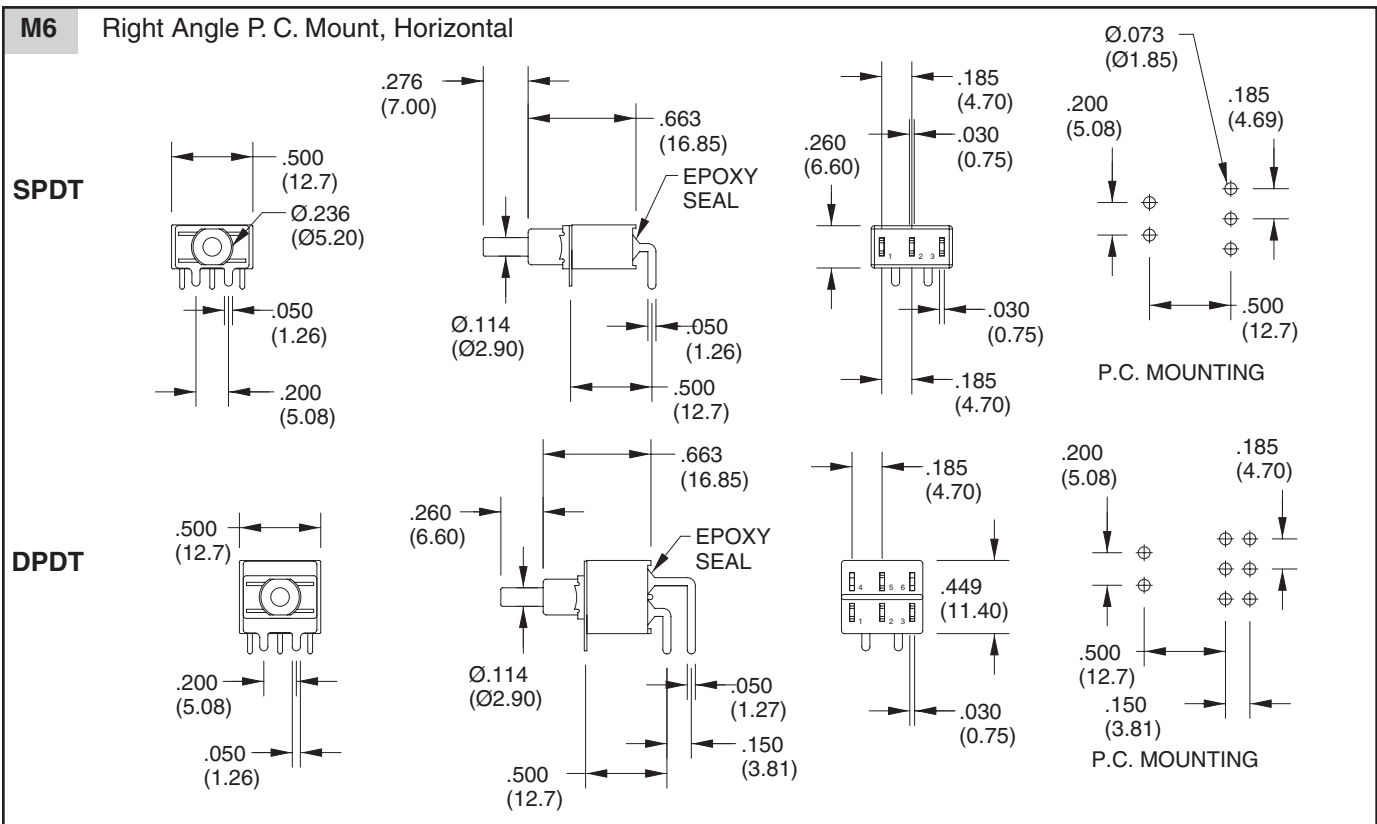
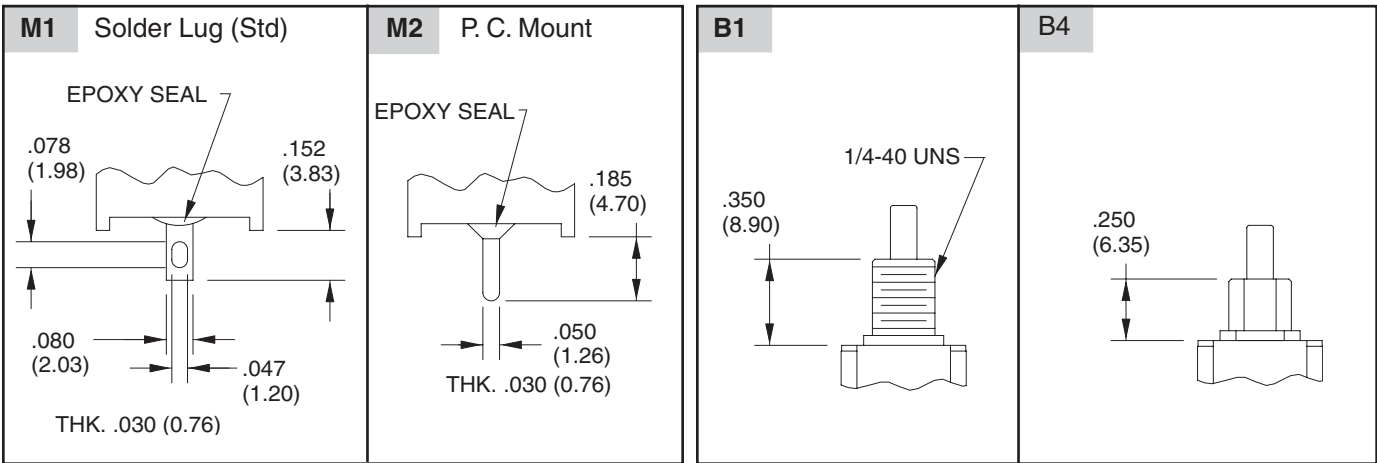


PLUNGER OPTIONS in inches (and millimeters)



BUSHING OPTIONS in inches (and millimeters)

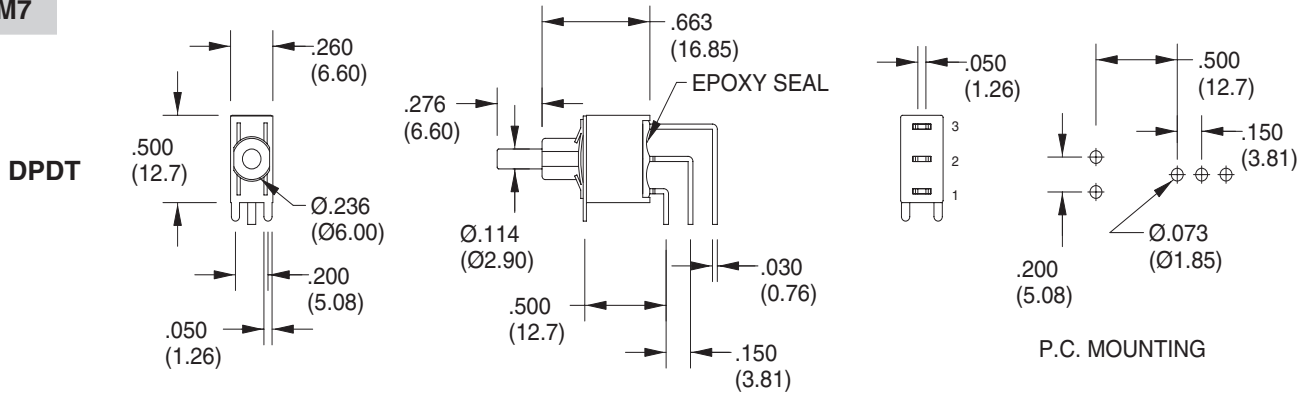
TERMINATION OPTIONS in inches (and millimeters)



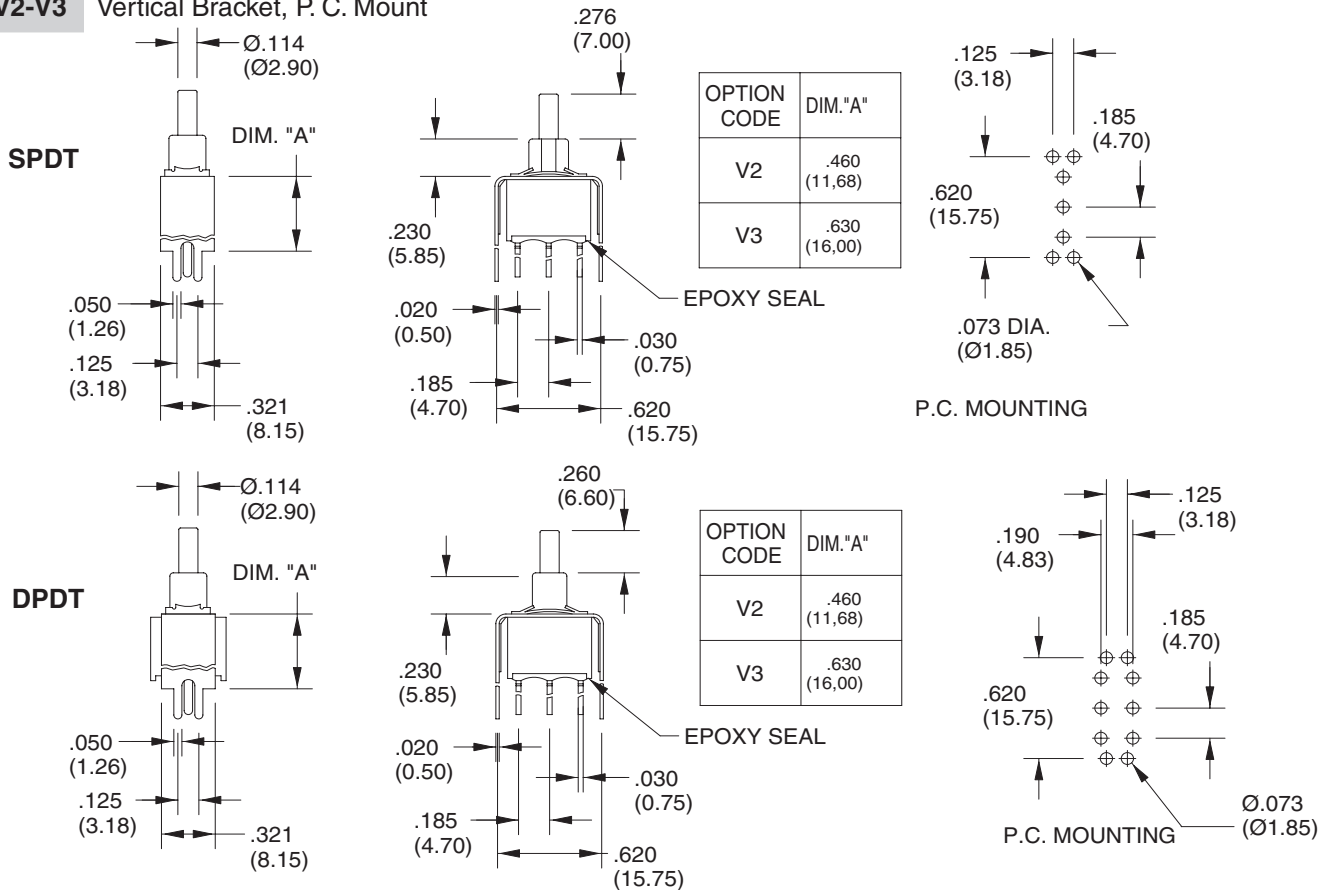
Pushbutton Switches

TERMINATION OPTIONS (CONT.) in inches (and millimeters)

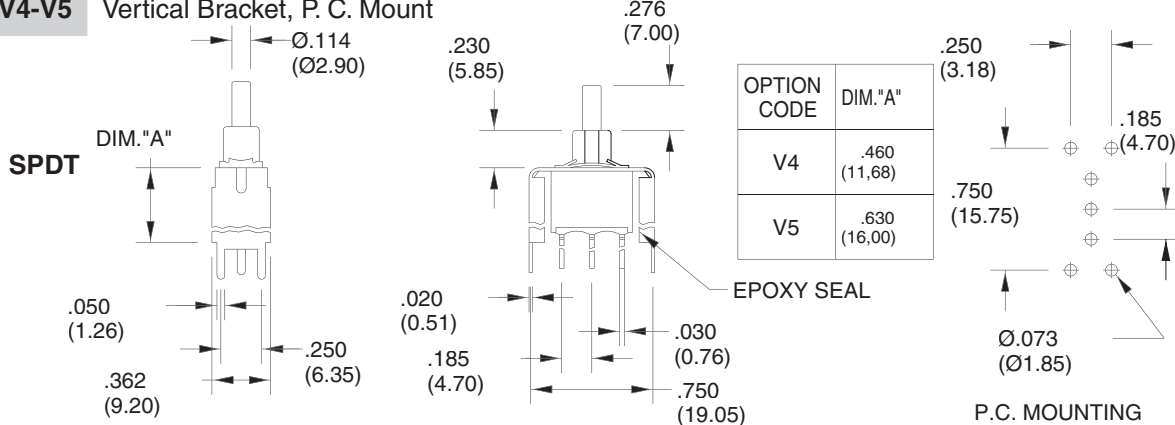
M7



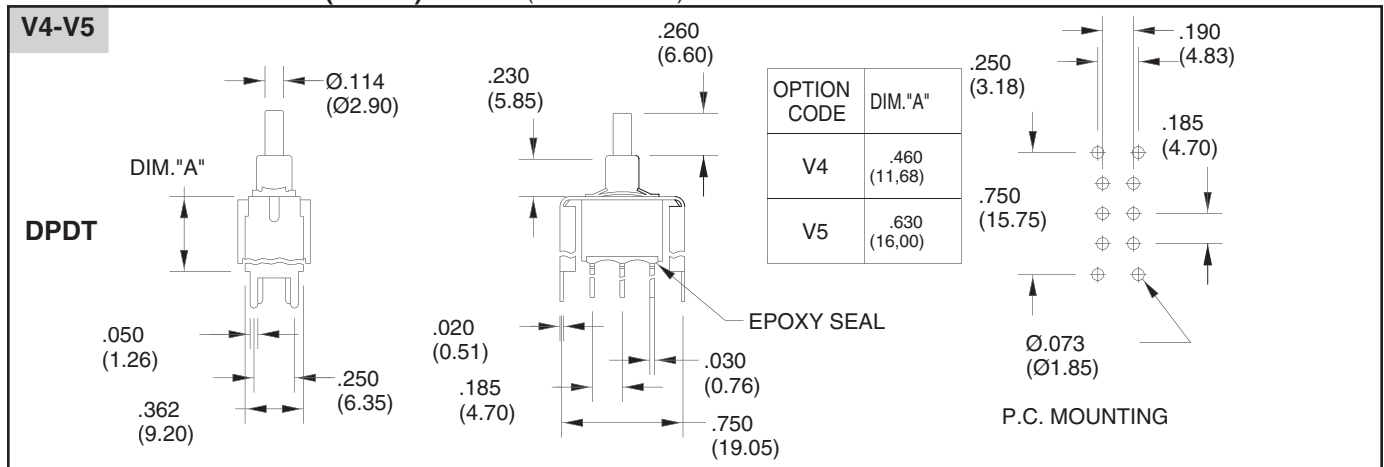
V2-V3 Vertical Bracket, P. C. Mount



V4-V5 Vertical Bracket, P. C. Mount

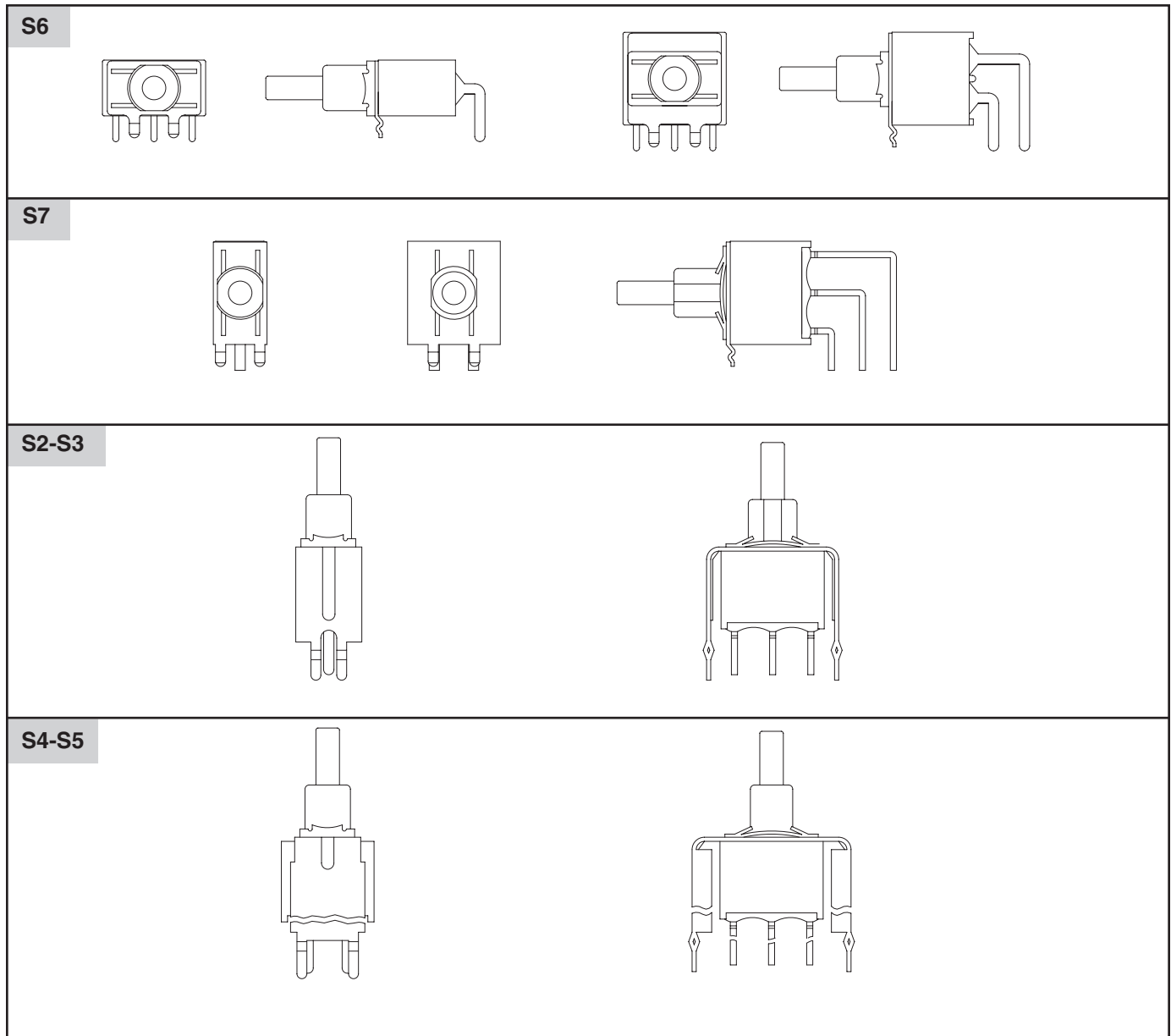


TERMINATION OPTIONS (CONT.) in inches (and millimeters)



Snap-in Termination Options

(Snap-in termination options have the same PC layout as M2, M6 and M7 options)



Pushbutton Switches



SPECIFICATIONS

RATINGS

Contact Rating: Q & G option - 1A with resistive load @ 125 VAC or 28 VDC.
R option - 0.4 VA max @ 20 Vmax (AC or DC)
Electrical Life: 50,000 make-and-break cycles at full load
Travel: .040 ± .010

Contact Resistance: 10 milliohms max. initial @ 2-4 VDC, 100 mA
Insulation Resistance: 1,000 megaohms minimum
Dielectric Strength: 1,500 V RMS @ sea level
Operating Temperature: -30°C to 85°C

MATERIALS

Case: Glass filled Nylon 6/6 (UL94V-0)
Plunger: Glass filled nylon or glass filled polyester
Bushing: Brass, nickel plated
Housing: Stainless steel
Terminal/Switch Support: Brass or steel, electrotin plated
Terminal Seal: Epoxy

ORDERING INFORMATION

SERIES	MODEL NO.	PLUNGER	BUSHING	TERMINATION	CONTACT	ROHS
38E	WSP7	1	B1	M1	Q	T
38E = Sealed Snap Action Pushbutton Switches	Options: WSP7, WDP7 (see models for switching positions)	Options: 1, 2, 3 (see plunger options)	Options: B1, B4 (see bushing options)	Options: M1, M2, M6, M7, S2, S3, S4, S5, S6, S7 V2, V3, V4, V5, (see termination options)	R = Copper alloy, gold plate over nickel plate. Q = Copper alloy, silver plated G=Gold plate over silver plate	T = Lead Free and RoHS Compliant

Pushbutton Switches