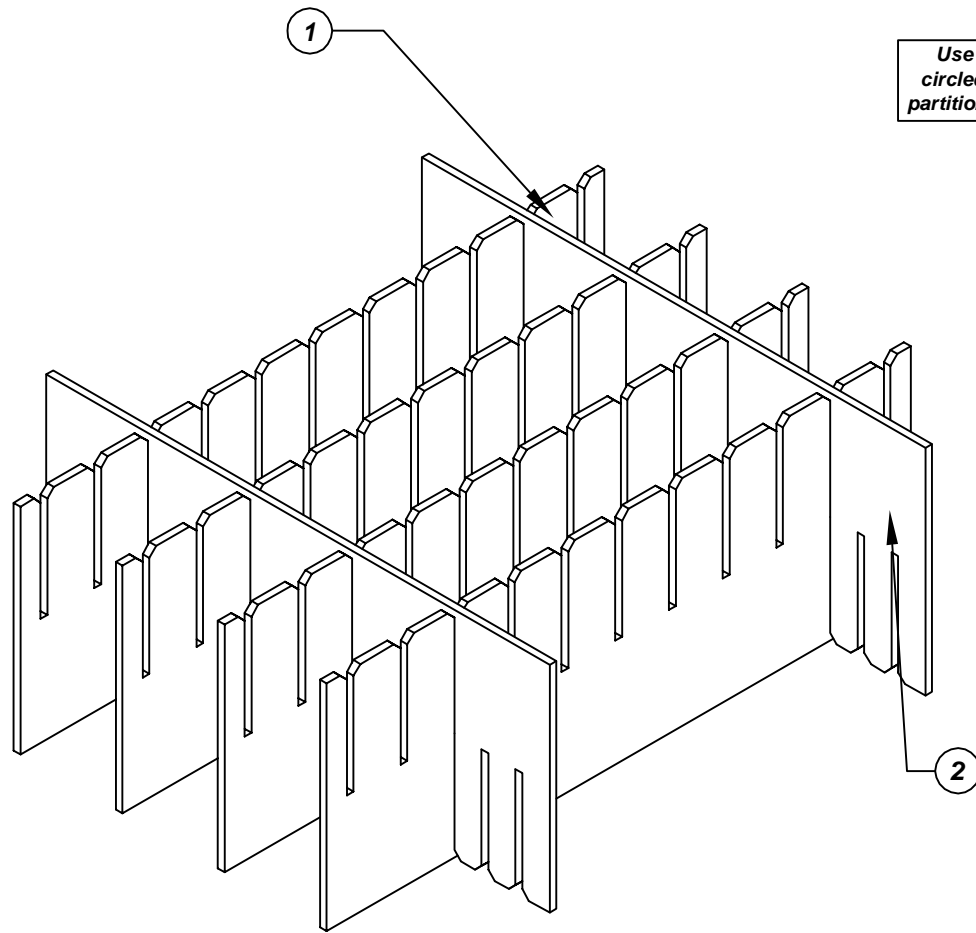
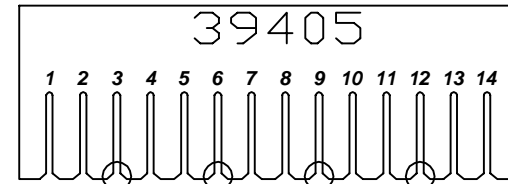


Assembly Instructions for - 38821

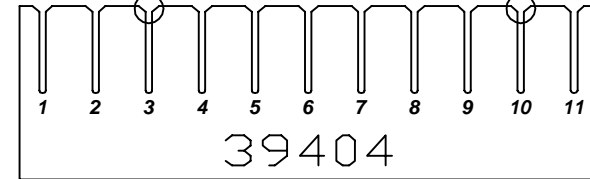


Use only the circled slots for partition assembly

Folded Short Partition

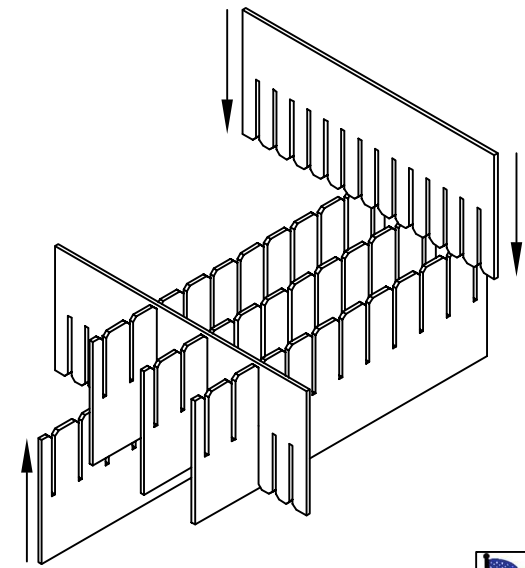


2



1

Folded Long Partition



Made in America

| | | | | |
|----------|-----------------|-----------------------------------|--|-----------|
| F/N 1 | Part # 39404 | Dimensions: 16-3/16" x 21-3/4" | Description: Adjustable Long Partition | Qty: 4 |
| F/N 2 | Part # 39405 | Dimensions: 16-3/16" x 18-3/4" | Description: Adjustable Short Partition | Qty: 2 |

38821 - 5 Cell Inplant Handler Cell Size - 8" x 13-3/4" x 3-1/2"

Notes:
For use with the following storage container & lid:
37532 - Storage Container
37557 - Lid

PROTEKTIVE PAK
13520 MONTE VISTA AVENUE, CHINO, CA 91710
PHONE (909) 627-2578, FAX (909) 363-7331
ProtectivePak.com



DRAWING NUMBER
IPH-38821

DATE
Dec.
2007