

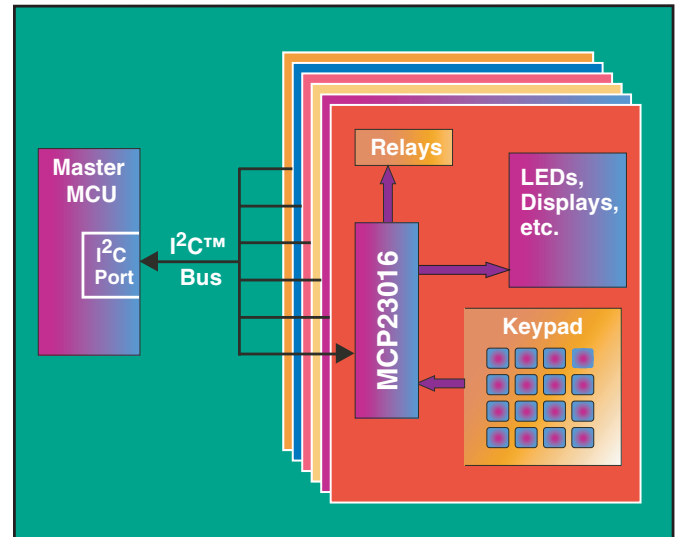
MCP23016, Serial Peripherals - 16-bit I/O Expander

The Microchip **MCP23016** is a 16-bit input/output expander designed to provide embedded systems with general purpose remote I/O expansion through an I²C™ serial port. The fully bi-directional 16 I/Os default to inputs and can be configured as inputs or outputs. Additionally, there are four sets of registers that are programmable and provide for configuration (input or output control), output value, and polarity (active low or high). The MCP23016 open drain interrupt ($\overline{\text{INT}}$) output is activated when any input state differs from its corresponding input port register state. By sending an interrupt signal on the interrupt logic of the master, this remote slave device informs the master that there is incoming data on the port without having to communicate via the I²C bus. Three external hardware pins (A0, A1 and A2) vary the fixed I²C address and allow up to eight devices to share the same bus.

The MCP23016 has low current consumption and includes latched outputs with high current drive capability for directly driving LEDs.

Applications:

- General purpose I/O expansion for systems utilizing I²C and SMBus™ ports, such as, driving ACPI power switches, sensors, push-buttons, keypads, LEDs and fans
- Servers, workstations, backplanes and PC applications supporting microprocessors for examining input lines from peripherals, such as, keyboards and temperature sensors
- Power supply applications (driving LEDs and sensor type applications)
- PCs, cell phones, washers, dryers and industrial applications
- Board version tracking and configuration
- Board monitoring and status reporting (AC/DC good or bad conditions)
- Multiple card systems in telecom, networking and base station infrastructure equipment
- Field recall and troubleshooting functions for installed boards



Features:

- I²C and SMBus compatible clock frequency (0 to 400 kbits/s)
- 2.0 – 5.5V operating supply voltage range
- 16 programmable bi-directional I/Os compatible with most processors
- Outputs can directly drive LEDs (source and sink current 25 mA)
- Polarity inversion register to configure the polarity of the input port data
- Internal Power-on Reset (POR)
- Open-drain interrupt output activated when input changes state
- Three external address pins allow user to connect up to eight of these devices on the same bus
- Low supply current
- Specified over industrial temperature range (-40°C to +85°C)
- Available in 28-pin PDIP, SSOP, SOIC and QFN packages



Additional Information:

- Microchip's web site: www.microchip.com
- Microchip's *Technical Library CD-ROM*, Order No. DS00161
- *Product Line Card*, Order No. DS00148
- *Analog & Interface Families Data Book 2002*, Order No. DS00207
- *2002 Technical Documentation Analog & Interface Product Families CD-ROM*, Order No. DS51205
- *MCP23016 Data Sheet*, DS20090

MCP23016, Serial Peripherals - 16-bit I/O Expander

Product	Operating Voltage (V)	Bus Type	Maximum Bus Frequency (kbits/s)	Output Current (mA)	Features	# of Pins/Package
MCP23016	2.0V – 5.5V	I ² C™	400 kbits/s	25 mA	16-bit I/O port expander with interrupt and 3 hardware address pins	28P, 28SO, 28SS, 28ML

Package Key: P = PDIP SO = SOIC SS = TSSOP ML = QFN

Microchip's first I/O expander offers industry comparable performance, packages and pin-outs. With the introduction of this new serial peripheral device, Microchip has expanded its presence in the interface and interconnect industry.

Americas

Atlanta (770) 640-0034
 Boston (978) 692-3848
 Chicago (630) 285-0071
 Dallas (972) 818-7423
 Detroit (248) 538-2250
 Kokomo (765) 864-8360
 Los Angeles (949) 263-1888
 San Jose (408) 436-7950
 Toronto (905) 673-0699

Asia /Pacific

Australia 61-2-9868-6733
 China – Beijing 86-10-8528-2100
 China – Chengdu 86-28-86766-200
 China – Fuzhou 86-591-7503-506
 China – Shanghai 86-21-6275-5700
 China – Shenzhen 86-755-82901-380
 China – Hong Kong 852-2401-1200
 China – Qingdao 86-532-5027355
 India 91-80-229-0061
 Japan 81-45-471-6166
 Korea 82-2-554-7200
 Singapore 65-6334-8870
 Taiwan 886-2-2717-7175

Europe

Austria 43-7242-2244-399
 Denmark 45-4420-9895
 France 33-1-69-53-63-20
 Germany 49-89-627-144-0
 Italy 39-039-65791-1
 United Kingdom 44-118-921-5869

12/05/02

Microchip Technology Inc. • 2355 W. Chandler Blvd. • Chandler, AZ 85224-6199 • (480) 792-7200 • Fax (480) 792-9210

Information subject to change. The Microchip name and logo are registered trademarks of Microchip Technology Inc. in the U.S.A. and other countries. The Embedded Control Solutions Company is a registered trademark of Microchip Technology Inc. in the U.S.A. All other trademarks mentioned herein are property of their respective companies.

© 2002 Microchip Technology Inc. All rights reserved. Printed in the U.S.A. DS21757A 12/02