

THIS DRAWING IS UNPUBLISHED. RELEASED FOR PUBLICATION
 © COPYRIGHT BY TYCO ELECTRONICS CORPORATION. ALL RIGHTS RESERVED.

Loc		DIST		REVISIONS			
AD	00	P	LTR	DESCRIPTION	DATE	DWN	APVD
		A		ECO 05 003709	24MAR06	BSV	MS

SPECIFICATIONS:
 MAKE-BEFORE-BREAK

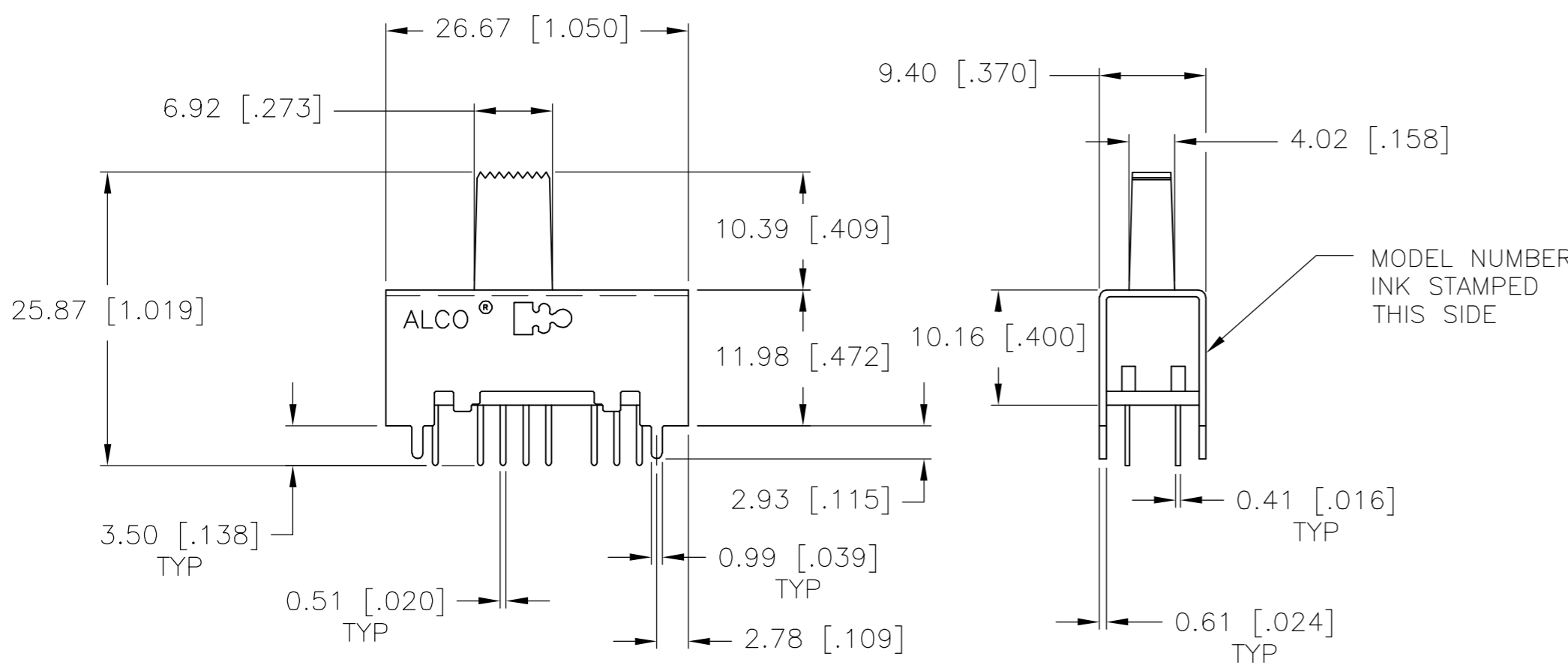
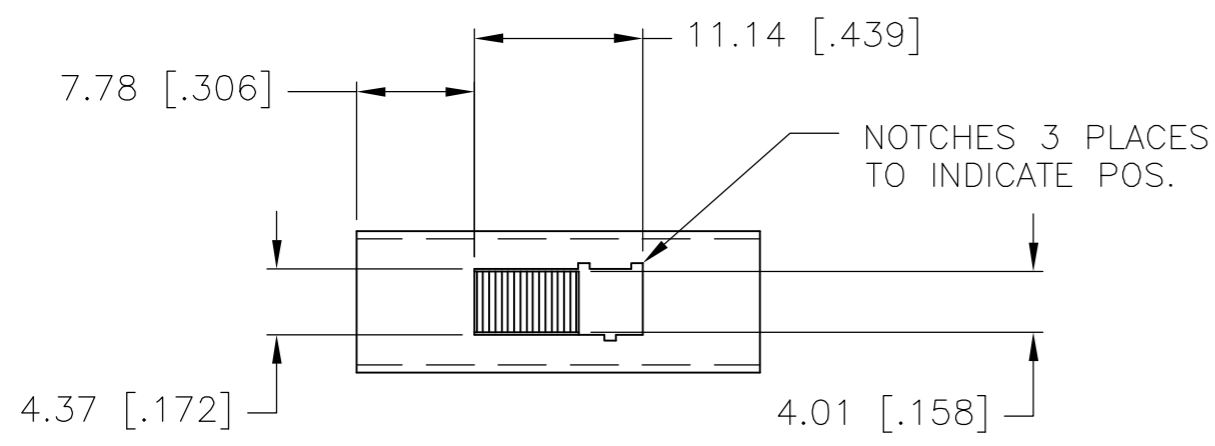
MATERIALS:
 ACTUATOR - NYLON 66 UL94V-0, BLACK
 FRAME - TIN PLATED STEEL
 TERMINAL BOARD - PHENOLIC LAMINATE UL94HB, NATURAL
 TERMINAL (SILVER) - COPPER ALLOY- SILVER OVER NICKEL PLATE
 TERMINAL (GOLD) - COPPER ALLOY- TIN OVER NICKEL PLATE
 FIXED CONTACT (SILVER) - COPPER ALLOY- SILVER OVER NICKEL PLATE
 FIXED CONTACT (GOLD) - COPPER ALLOY-GOLD OVER NICKEL PLATE
 MOVING CONTACT (SILVER) - COPPER ALLOY- SILVER OVER NICKEL PLATE
 MOVING CONTACT (GOLD) - COPPER ALLOY-GOLD OVER NICKEL PLATE
 DETENT BALL - STAINLESS STEEL
 COIL SPRING - TEMPERED STEEL WIRE
 SEAL - EPOXY

ELECTRICAL:
 CONTACT RATING - .4VA@20VDC OR PEAK AC (GOLD)
 300mA@125V AC (SILVER)
 INITIAL CONTACT RESISTANCE - 30milliohm max.
 FINAL CONTACT RESISTANCE - 100milliohm max. (AFTER TEST)
 INSULATION RESISTANCE - 1,000Megohms min."
 DIELECTRIC STRENGTH - 500V RMS@SEA LEVEL
 LIFE EXPECTANCY - 15,000 CYCLES MIN."

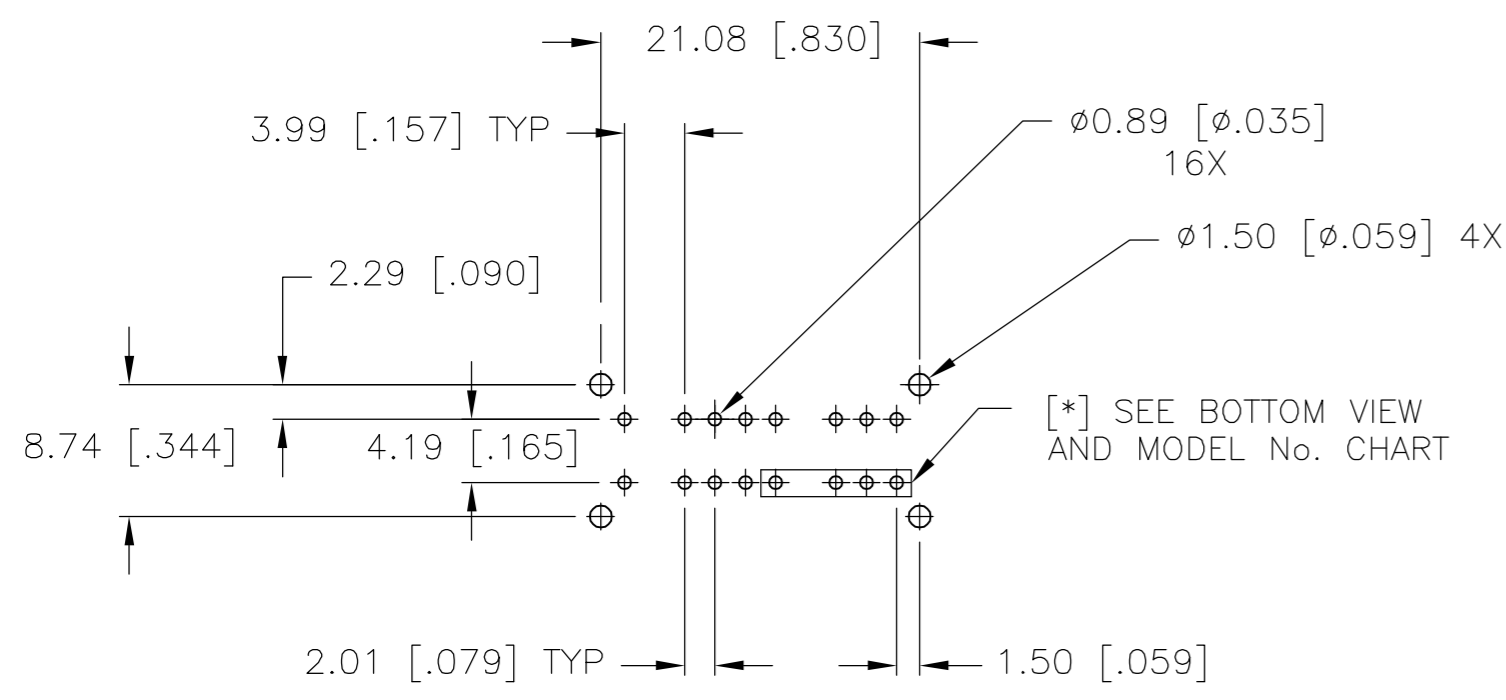
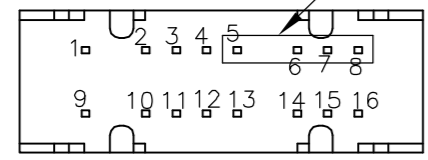
MECHANICAL:
 ACTUATION FORCE - 600±300 GRAMS
 TRAVEL - 2.00±0.51[.079±.020]

ENVIRONMENTAL:
 OPERATING TEMPERATURE - -20 TO +85 DEGREES C
 STORAGE TEMPERATURE - -40 TO +100 DEGREES C
 RESISTANCE TO SOLDER HEAT PER 109-202, CONDITION B
 SOLDERABILITY PER EIA- 364-52, CLASS 2, CATEGORY 1, 95% MIN
 COVERAGE

NOTES:
 1. ALL MATERIALS AND FINISHES SHALL COMPLY WITH EU
 DIRECTIVE 2002 95/EC OF 27JAN2003 (ROHS).
 2. ANTI SOLDER WICK SEAL AT TERMINAL TO BOARD INTERFACE.



[*] THIS TERMINAL SET IS NOT USED ON 3350 SERIES



PC HOLE LAYOUT (TOP VIEW)
 RECOMMENDED TOLERANCES ±.002

1,2&5,6	9,10&13,14	2,3&5,7	10,11&13,15	2,4&5,8	10,12&13,16	4P3T	GOLD OVER NICKEL	MSSA4350G04	1825202-4	
1,2&5,6	9,10&13,14	2,3&5,7	10,11&13,15	2,4&5,8	10,12&13,16	4P3T	SILVER	MSSA435004	1825202-3	
1,2, 9,10	&13,14	2,3, 10,11&13,15		2,4, 10,12&13,16		3P3T	GOLD OVER NICKEL	MSSA3350G04	*1825202-2	
1,2, 9,10	&13,14	2,3, 10,11&13,15		2,4, 10,12&13,16		3P3T	SILVER	MSSA335004	*1825202-1	
LEFT			CENTER			RIGHT				
ACTUATOR POSITION							TYPE	CONTACT PLATING	ALCO P/N	TYCO P/N

THIS DRAWING IS A CONTROLLED DOCUMENT.		DWN	C.THEODORE	17SEP96	Tyco Electronics Corporation Harrisburg, PA 17105-3608					
DIMENSIONS: mm [INCHES]		CHK	-	-		NAME OUTLINE DRAWING SLIDE SWITCH 3 POSITION PC				
TOLERANCES UNLESS OTHERWISE SPECIFIED:		APVD	-	-						
0 PLC ± - 1 PLC ± - 2 PLC ± 0.25[.010] 3 PLC ± - 4 PLC ± - ANGLES ± 1°		PRODUCT SPEC	-	-		SIZE	CAGE CODE	DRAWING NO	RESTRICTED TO	
MATERIAL SEE SPECIFICATIONS		FINISH	SEE SPECIFICATIONS	WEIGHT	-	A2	00779	C=1825202	-	
CUSTOMER DRAWING					SCALE	2:1	SHEET	1 of 1	REV	A

1825202