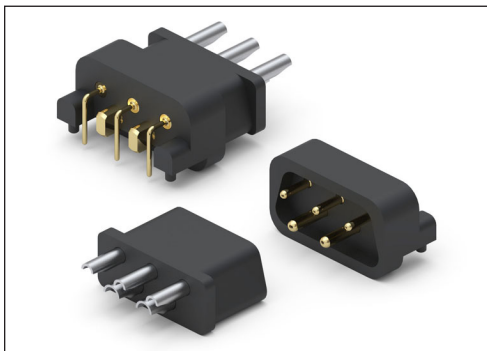
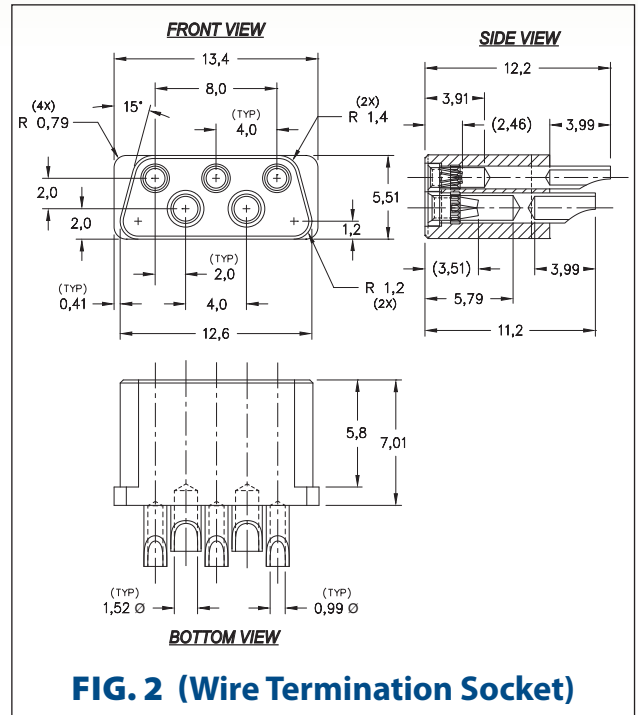
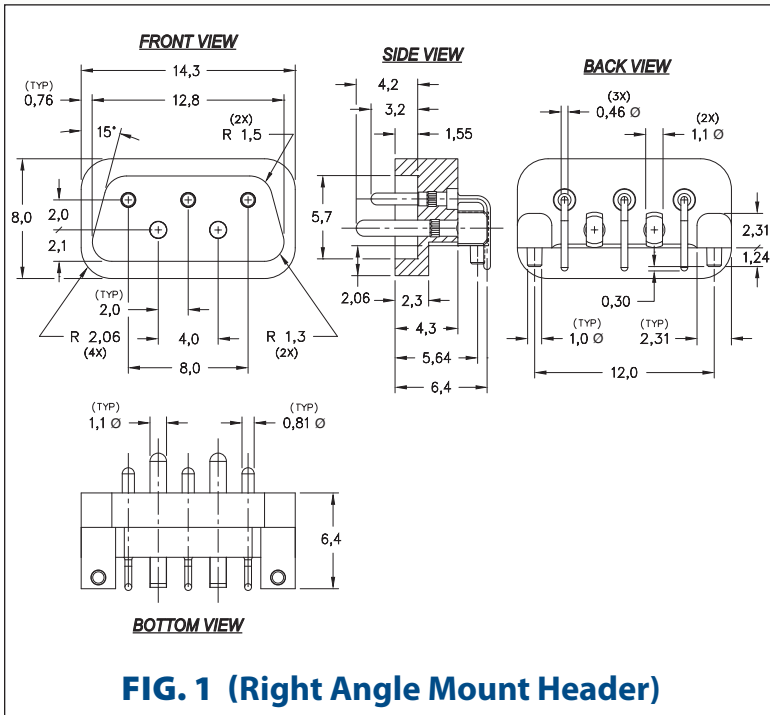


INTERCONNECTS

SERIES 888 • 2MM GRID (0,81 AND 1,12 DIA. PINS), SIGNAL POWER SHROUDED HEADER & SOCKET CONNECTOR



- Series 888_002 right angle & surface mount P.C.B. headers have 0,81 & 1,12 dia. pins (MM #5065, #5066). See pages 213 and 224 for details
- Series 888_001 mating soldercup sockets use (MM #5070-0 and #5084-0) receptacles for terminating 22 AWG & 18AWG stranded wires. See pages 176 and 185 for details
- Receptacles use Hi-Rel, 6-finger BeCu #16 contacts rated at 4.5 amps and Hi-Rel, 4-finger BeCu #34 contacts rated at 8 amps. See pages 256 and 258 for details
- Insulators are high temperature thermoplastic, suitable for all soldering operations and shrouded for accurate alignment

ORDERING INFORMATION

		Series 888...002	5 Pin Right Angle Board Mount Header			
FIG. 1		888-30-005-20-002000				
		XX=Plating Code See Below		For Electrical, Mechanical & Environmental Data, See page 264		
SPECIFY PLATING CODE XX=			30			
Pin Plating			0,76 μm Au			
		Series 888...001	5 Pin Wire Termination Socket			
FIG. 2		888-93-005-00-001000				
		XX=Plating Code See Below		For Electrical, Mechanical & Environmental Data, See page 264		
SPECIFY PLATING CODE XX=			93			
Sleeve (Pin)			5,08 μm Sn/Pb			
Contact (Clip)			0,76 μm Au			

