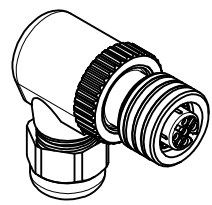
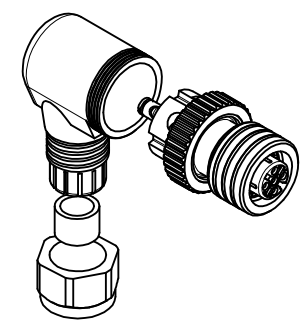


CABLE RANGE PG7
 Ø2,5 - Ø6,5mm



ITEM	COMPONENT	MATERIAL	FINISH
1	INSERT	PA	BLACK
2	HOUSING	PA	BLACK
3	CONTACT	BRASS / GOLD	CuZn Ni/ Au
4	PG NUT	PA	BLACK
5	O-RING	VITON	RED
6	GROMMET	CR	BLACK
7	ULTRA-LOCK	BRASS /ST.STEEL	NICKEL PLATED

POL	MATERIAL NO.	ENGINEERING NO.
4	1200850015	WA4001-31
5	1200850016	WA5001-31

VOLTAGE RATING: 4 POLE: 250 VAC/VDC
 5 POLE: 30 VAC/36 VDC

AMPERAGE RATING: 4A

PROTECTION CLASS: IP 67/68/69K

OPERATING TEMPERATURE: -25°C / 90°C

UL CERTIFICATION: FILE NO. E152210

CSA CERTIFICATIONS: FILE NO. LR6837

REV	DESCRIPTION
2	ENTER DESCRIPTION EC NO: IFG2013-2053 DRWN: BRAUCH 2013/06/28 CHKD: APPR: CUBURGER 2013/06/28

QUALITY SYMBOLS	
	=0
	=0

GENERAL TOLERANCES (UNLESS SPECIFIED)	
	mm INCH
4 PLACES	± --- ± ---
3 PLACES	± --- ± ---
2 PLACES	± 0.05 ± ---
1 PLACE	± 0.1 ± ---
0 PLACE	± --- ± ---
ANGULAR ± --- °	

DIMENSION STYLE		SCALE	DESIGN UNITS	THIRD ANGLE PROJECTION
MM ONLY		1:1	METRIC	
DRAWN BY	DATE	TITLE		
NSTAUDIGEL	2010/02/02	FA U12 XP AC FE RA PG7 BK BRA		
CHECKED BY	DATE	molex		
APPROVED BY	DATE			
FPACHER	2010/02/05	DOCUMENT NO.	SHEET NO.	
MATERIAL NO.		SD-120085-006	1 OF 1	

DRAFT WHERE APPLICABLE MUST REMAIN WITHIN DIMENSIONS

SIZE A3

THIS DRAWING CONTAINS INFORMATION THAT IS PROPRIETARY TO MOLEX INCORPORATED AND SHOULD NOT BE USED WITHOUT WRITTEN PERMISSION