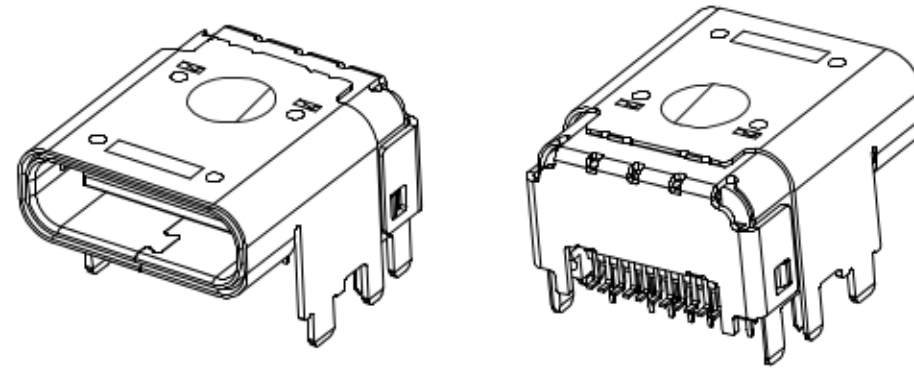
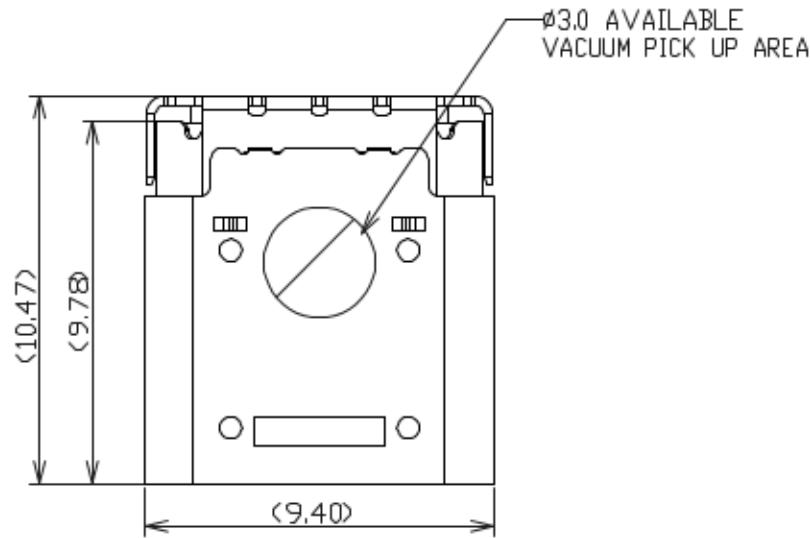


HALOGEN FREE

REV	EC#	DESCRIPTION	DATE	DRAWN	CHECKED	APPROVED
X1	SZECR14457-04	NEW RELEASE	09/18/15'	Alr.Chen	Alan.Tsal	



PRODUCT NUMBERING CODE  
 C-ARA1 - A K X X X  
 ① ② ③ ④ ⑤ ⑥

1.CONNECTOR TYPE:  
 ARA1: USB TYPE-C FULL FEATURE CONN. RECEPTACLE - TOP MOUNT TYPE

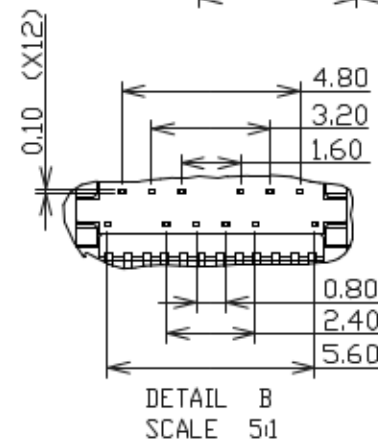
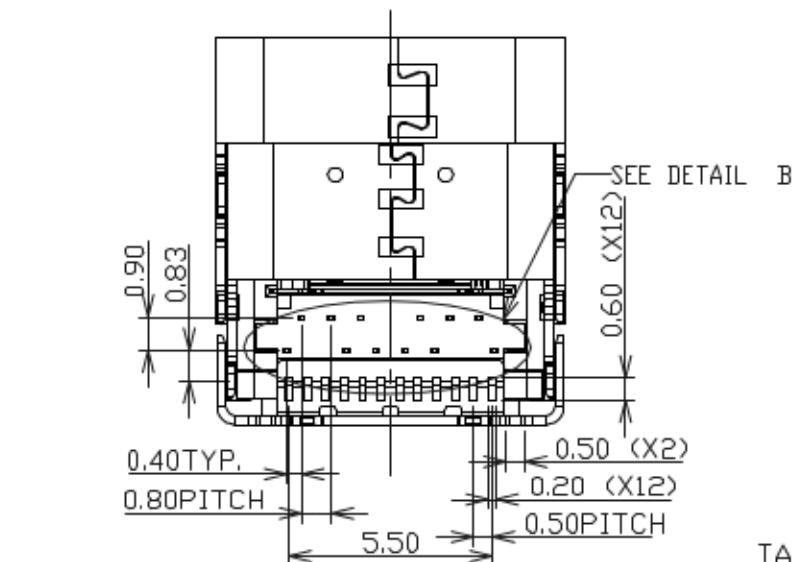
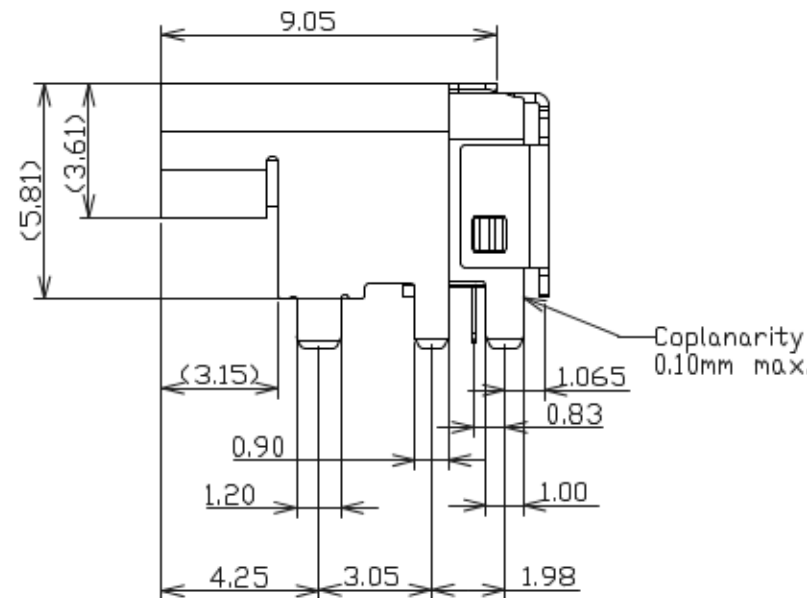
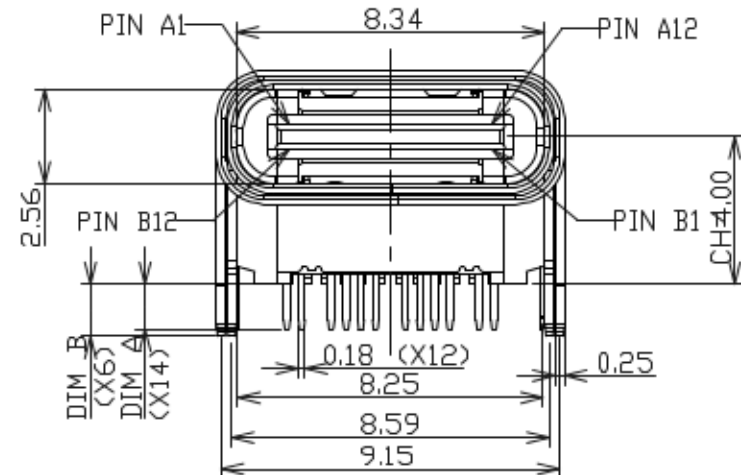
2.NO. OF POSITION:  
 A: 24 POSITIONS.

3.COLOR OF INSULATOR:  
 K: BLACK.

4.PLATING OF CONTACT:  
 1: GOLD FLASH ON CONTACT AREA.  
 5: Au 30u" PLATING ON CONTACT AREA

5.PLATING OF FRONT SHELL  
 1: SOLDERING NICKEL

6.OTHER & PACKAGE  
 0: SHELL HOLD DOWN 1.4mm & CONTACT 1.2mm  
 1: SHELL HOLD DOWN 1.8mm & CONTACT 1.6mm  
 2: SHELL HOLD DOWN 1.4mm & CONTACT 1.4mm  
 5: SHELL HOLD DOWN 1.8mm & CONTACT 1.2mm



PART NUMBER	DIM A	DIM B
C-ARA1-AK510	1.20mm	1.40mm
C-ARA1-AK511	1.60mm	1.80mm
C-ARA1-AK512	1.40mm	1.40mm
C-ARA1-AK515	1.20mm	1.80mm

TABLE A:

PIN NO.	A1	A2	A3	A4	A5	A6	A7	A8	A9	A10	A11	A12
SIGNAL NAME	GND	SSTXp1	SSTXn1	VBUS	CC1	Dp1	Dn1	SBU1	VBUS	SSRXn2	SSRXp2	GND
PIN NO.	B12	B11	B10	B9	B8	B7	B6	B5	B4	B3	B2	B1
SIGNAL NAME	GND	SSRXp1	SSRXn1	VBUS	SBU2	Dn1	Dp1	CC2	VBUS	SSTXn2	SSTXp2	GND

ITEM	NAME	Q'TY	PART #	MATERIAL / FINISH
6	EMI RING	2	~	METAL / Ni PLATED
5	GROUND PLATE	1	~	METAL / NI PLATED
4	OUTER SHELL	1	~	METAL / NI PLATED
3	SHELL	1	~	METAL / NI PLATED
2	CONTACT	24	~	COPPER ALLOY / Au PLATED
1	HALF PRODUCT	3	~	HI-TEMP G.F., UL94V-0

ITEM	NAME	Q'TY	PART #	MATERIAL / FINISH
TOLERANCES UNLESS OTHERWISE SPECIFIED		DRAWN DATE		CnC Tech, LLC
GENERAL	X	±0.25	AVEN 03/23/15'	
	.X	±0.25	DESIGN DATE	USB TYPE- C FULL FEATURE CONN. RECPTACLE TOP MOUNT TYPE
	.XX	±0.13	AVEN 03/23/15'	
	.XXX	±0.08	CHECKED DATE	TITLE
ANGLES	X°	±30°	ROGER 03/23/15'	
	.X°	±20°	APPROVED DATE	SERIES ARA1 SERIES
	.XX°	±10°	ROGER 03/23/15'	
SCALE	7:1			SIZE A3
SHEET	1 OF 2			REV. X1
UNIT	MM			

