

THIS COPY IS PROVIDED ON A RESTRICTED BASIS AND IS NOT TO BE USED IN ANY WAY DETRIMENTAL TO THE INTERESTS OF PANDUIT CORP.

WIRE SIZE	NUMBER OF WIRES	NUMBER OF ADDITIONAL WIRES OF ONE SIZE			
		#22 AWG [0,5 mm <sup>2</sup> ]	#20 AWG [0,75 mm <sup>2</sup> ]	#18 AWG [1,0 mm <sup>2</sup> ]	#16 AWG [1,5 mm <sup>2</sup> ]
#22 AWG [0,5 mm <sup>2</sup> ]	1	1-4	1-3	1-2	1
	2	1-3	1-2	1-2	1
	3	1-2	1	1	1
	4	1	0	0	0
#20 AWG [0,75 mm <sup>2</sup> ]	1	1-3	1-3	1-2	1
	2	1-2	1-2	1	1
	3	1	1	0	0
#18 AWG [1,0 mm <sup>2</sup> ]	1	1-3	1-2	1-2	1
	2	1-2	1	1	0
#16 AWG [1,5 mm <sup>2</sup> ]	1	1-3	1-2	1	1
#14 AWG [2,5 mm <sup>2</sup> ]	1	1	1	0	0

NOTES:

1. USED FOR:

- A. SOLID OR STRANDED COPPER WIRE
- B. 221°F [105°C] MAX. OPERATING TEMPERATURE
- C. 600V. MAX. BLDG WIRE (1000 V. MAX. IN SIGNS, FIXTURES & LUMINAIRES)
- D. SEE CHART FOR WIRE COMBINATIONS

2. INSTALLATION TOOLS:

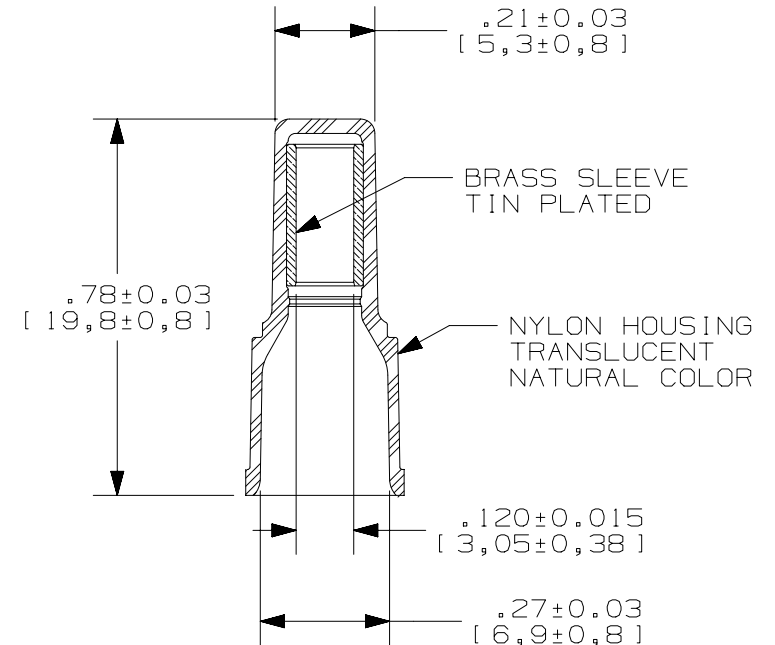
- A. UL LISTED AND CSA CERTIFIED: CT-100A, CT-1550, CT-1551, CT-2400 (CT-2455CH), CT-2500 (CT-2550CH), CT-600-A (CT-550CH)
- B. PANDUIT APPROVED: CT-160, CT-260, CT-400, CT-460

3. WIRE STRIP LENGTH:  $7/16" \begin{smallmatrix} +1/32 \\ -0 \end{smallmatrix}$  [11,1 mm  $\begin{smallmatrix} +0,8 \\ -0 \end{smallmatrix}$ ]

4. SEE [www.panduit.com](http://www.panduit.com) FOR PACKAGE QUANTITIES, INDICATED BY PART NUMBER SUFFIX

5. DIMENSIONS IN BRACKETS ARE METRIC EQUIVALENT

6. TWIST ENDS OF STRIPPED WIRE TOGETHER BEFORE INSERTING INTO WIRE JOINT



LISTED  
587H  
E52164



CERTIFIED  
LR31212

TITLE		STRONGHOLD WIRE JOINT EJN218-216 NYLON INSULATED, #22-14 AWG CUSTOMER DRAWING		
ITEM REVISION NAME		00123STI/00		
DATASET FILE NAME		00123STI.DC/00		
UNLESS OTHERWISE SPECIFIED, DIMENSIONAL TOLERANCES ARE: IN [ mm ]		MATERIAL:  SEE NOTES		
.x ± .1 [ 2.54 ] .xx ± .03 [ .76 ]		.xxx ± .005 [ .127 ] ANGLES ± 5 °		
DRAWN BY DAW		DATE -		THIRD ANGLE PROJECTION SCALE N.T.S.
REV		DATE		DRAWING NUMBER: SH41342
BY		CHK		SHEET 1 OF 1
APR		SCALE		SIZE A
DESCRIPTION		ECN		

00	2/18	JHNU	TMR	RGB	RELEASED	00123SH
REV	DATE	BY	CHK	APR	DESCRIPTION	ECN

D10100DA/12