

Series **D xx P 24A 6 xx 12 LF**

Number of contacts
09 , 15 , 25

Contacts
P : Pin

Plating
6 = 500 Mating / Unmating Mini

Packaging specification

Tape and Reel

See Note RoHS

Termination

Code	Type	Foot Print/Pitch	Length of termination	PCB thickness
24A	Straight version	6 / 2.84mm	2	1.6

NOTE RoHS INFORMATION

- The "LF" product meet european union Directives and other country regulations asdescribed in GS-22-008.
- The housing will whistand exposure to 260^o peak temperature for 30 seconds in a convection , infra-red or vapor reflow oven. See application notes/procedures if are available.
- Termination plating spec:1.27 μ Nickel mini,2.5 to 7.5 μ Sn(pure mate)
- Shell plating : Nickel bright
- Accessories : Sn pure bright
- Packaging spec ; See GS-14-920

Mounting Options

RL	Insert M3
RV	Female Screw UNC 4-40
RX	Insert UNC 4-40

Product Specification

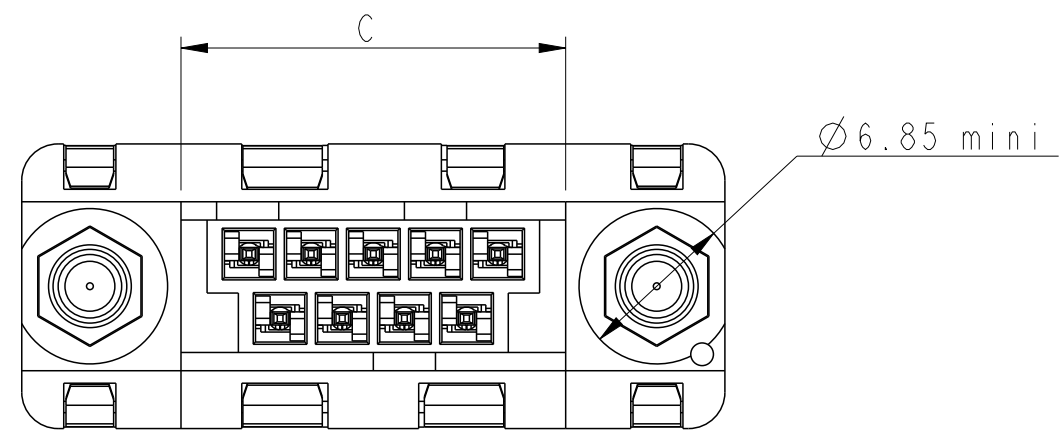
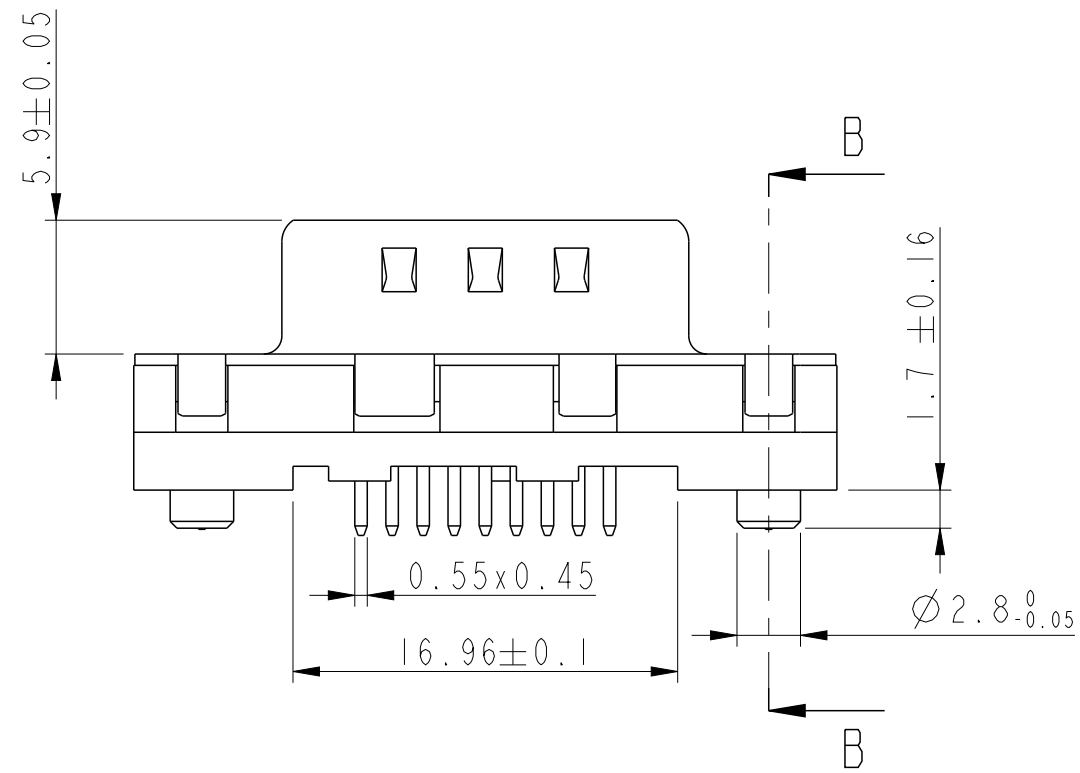
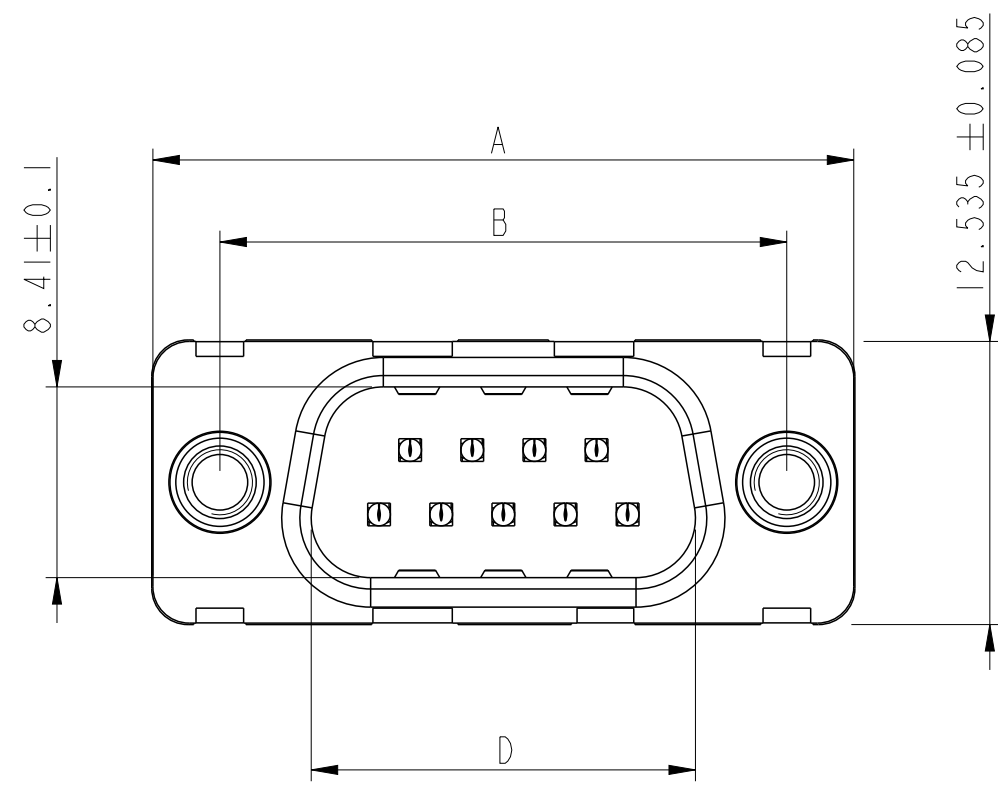
see : GS-12-372

Packaging Specification

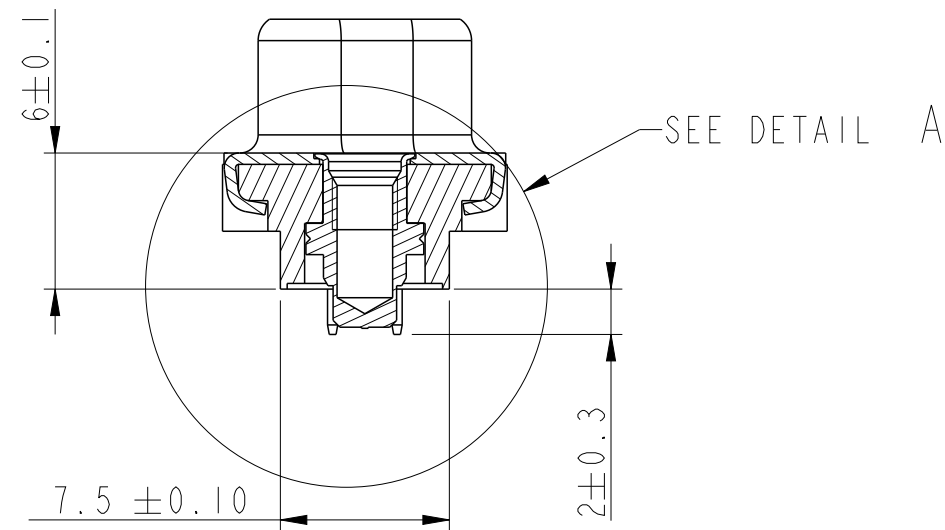
See GS-14-1054

www.fciconnect.com		surface - <input checked="" type="checkbox"/> ISO 1302	tolerance std ISO 406 ISO 1101	projection	mm
TOLERANCES UNLESS OTHERWISE SPECIFIED					
Dr	P. CRON	03/02/06	ANGULAR	0.X ±0.3	size A3
Eng	H. LEGALLIC	03/02/06	LINEAR	0.XX ±0.1	Scale 3:1
Chr	NIRMAL G	2010-10-14	0° ±2°	0.XXX ±0.05	ECN 110-0197
Appr	SUDHIR V	2010-10-14	Product family SUB DELTA D PIP		Spec ref -
FCi		SUB DELTA D PIP MALE		dwg no C01-8646-0876	Rev. G
catalog no		SEE TABLE		CUSTOMER COPY	sheet 1 of 2

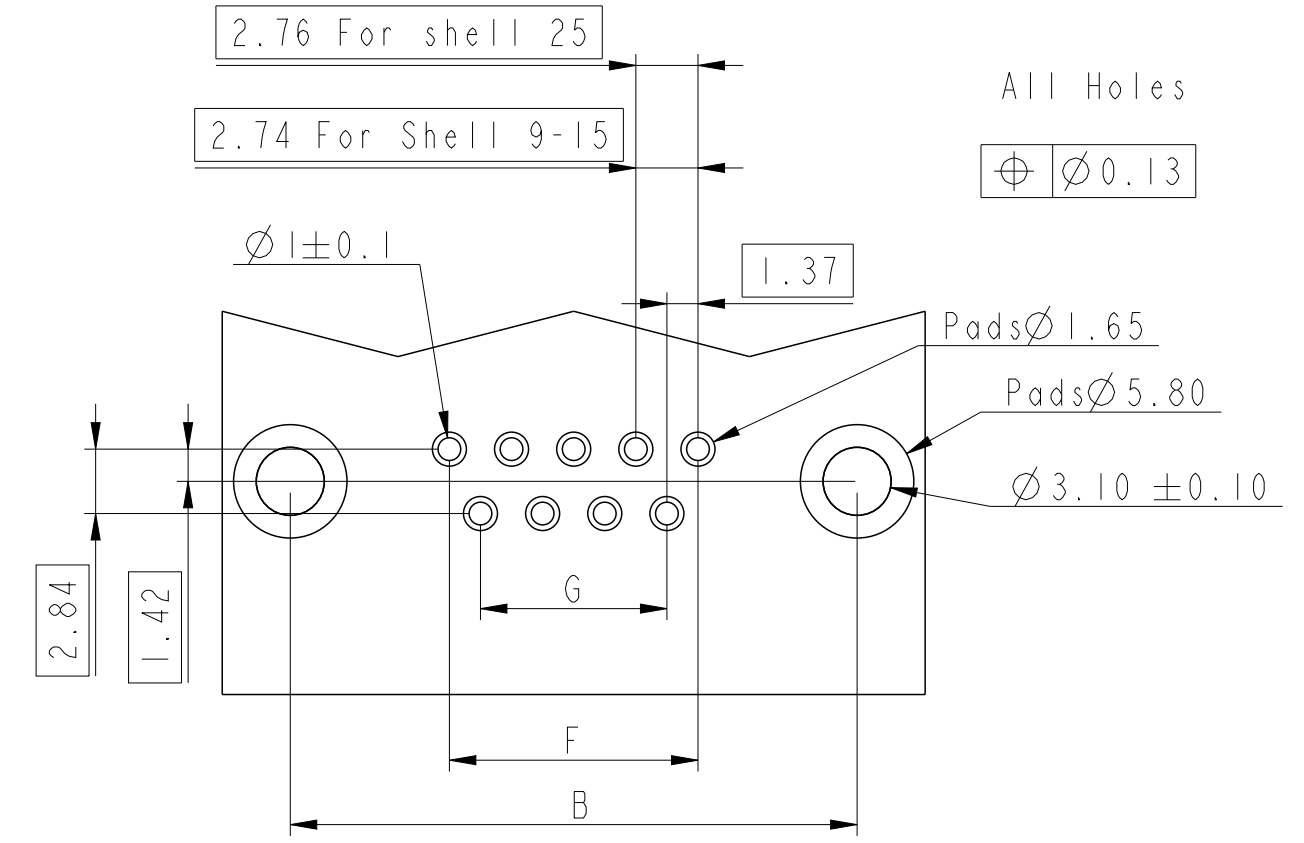
ltr	ecn no	dr	date
A	-	LH	03/02/06
B	LS06-0040	PC	23/03/06
C	LS06-0105	HLE	25/07/06
D	LS06-0220	PCR	2006/12/21
E	LS07-0050	HLE	2007/03/02
F	110-0120	NG	2010-05-27
G	110-0197	NG	2010-10-14



SECTION B-B



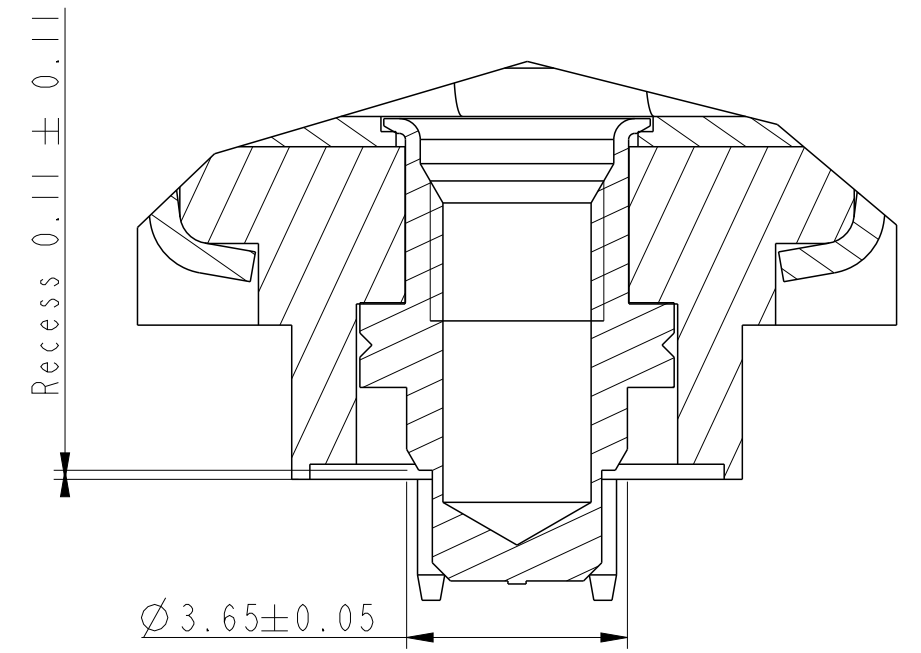
PCB Card Drilling dimensions and Pads recommended (after plating - Thickness : 1.60 mm)



All Holes

⊕ Ø 0.13

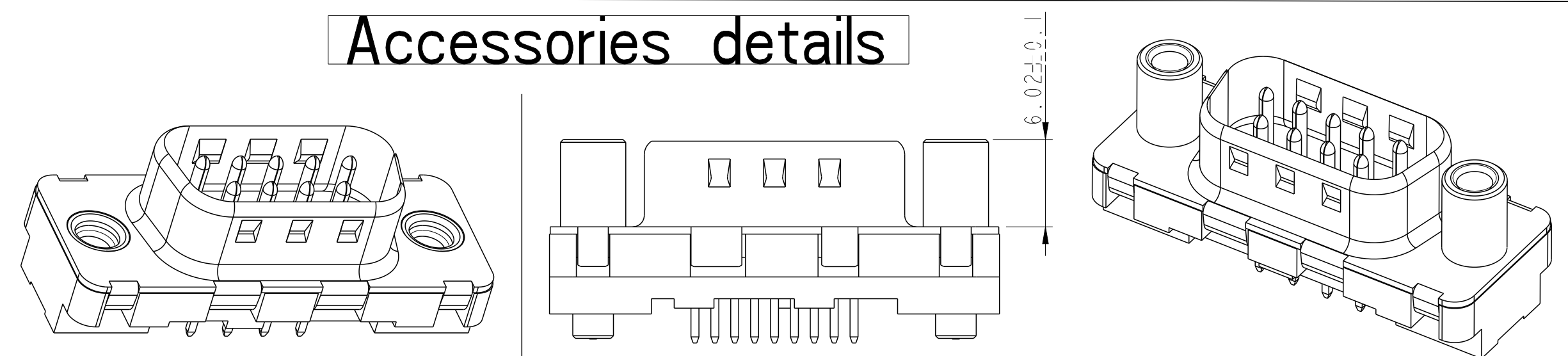
DETAIL A
SCALE 8:1



TRUE POSITIONING : ⊕ Ø 0.36

SHELL	P/N LEAD FREE	A ±0.38	B ±0.10	C ±0.10	D +0.25 0	E +0.15 0	F	G
09	D09P24A6xx12LF	30.81	24.99	16.96	16.79	5.9	10.96	8.22
15	D15P24A6xx12LF	39.14	33.32	25.18	25.12	5.9	19.18	16.44
25	D2524A6xx12LF	53.03	47.04	39.12	38.84	5.7	33.12	30.36

Accessories details



TYPE RX / RL

TYPE RV

www.fciconnect.com		surface - ✓	tolerance std	projection	mm
		ISO 1302	ISO 406 ISO 1101	⊕	↔
TOLERANCES UNLESS OTHERWISE SPECIFIED					
Dr	P. CRON	03/02/06	ANGULAR	0.x ±0.3	size A2
Eng	H. LEGALLIC	03/02/06	LINEAR	0.xx ±0.1	Scale 3:1
Chr	NIRMAL G	2010-10-14	0° ±2°	0.xxx ±0.05	ECN 110-0197
Appr	SUDHIR V	2010-10-14	Product family	SUB DELTA D PIP	Spec ref -
FCJ		SUB DELTA D PIP MALE		Rev. no	C01-8646-0876
		straight for tape and reel packaging		Rev.	G
		catalog no SEE TABLE		CUSTOMER COPY sheet 2 of 2	