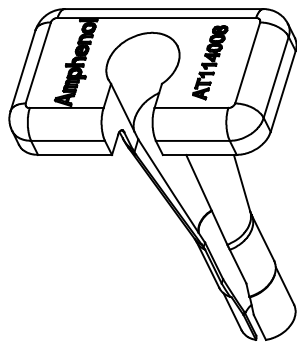
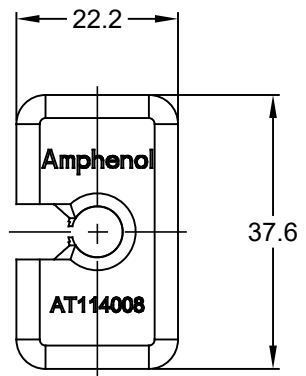
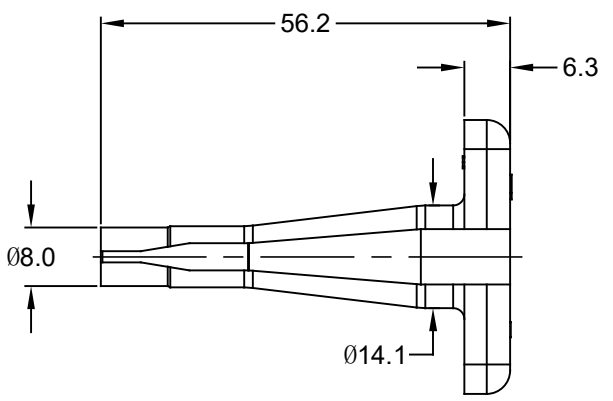


REVISIONS					
REV	ECO	DESCRIPTION	DATE	BY	APPR
01		PRELIMINARY DRAWING	18SEP17	SULLEN	TOMMY



NOTES: UNLESS OTHERWISE SPECIFIED

1. MATERIAL: THERMOPLASTIC; COLOR: GREEN
2. RoHS COMPLIANT
3. USE WITH AHDP SERIES
4. ALL DIMENSIONS ARE FOR REFERENCE USE ONLY.

AT114008		DESCRIPTION		ITEM
PART NUMBER		DESCRIPTION		ITEM
QUANTITY	MATERIALS LIST			
UNLESS OTHERWISE SPECIFIED		SIGNATURES		DATE
1) All dimensions are in metric(mm). 2) Tolerances are as follows: 1 PL DEC ±0.30 2 PL DEC ±0.15 3 PL DEC ±0.08 Fractions ±1/64 Angles ±1° 3) Note reference =		DRAWN: SULLEN.ZHANG		18SEP17
		CHECKED: ORION.LI		18SEP17
		ENGINEER:		
		APPROVAL: TOMMY.XIE		18SEP17
MATERIAL SPECIFICATIONS:		CUSTOMER:		
PROCESS SPECIFICATIONS:		THIS DRAWING IS SUPPLIED FOR INFORMATION ONLY. DESIGN FEATURES, SPECIFICATIONS AND PERFORMANCE DATA SHOWN HEREON ARE THE PROPERTY OF THE AMPHENOL CORPORATION. NO RIGHTS OF REPRODUCTION ARE IMPLIED. ALL DIMENSIONS ARE SUBJECT TO NORMAL MANUFACTURING VARIATIONS.		
NEXT ASSY:		SIZE	TYPE	DWG NO:
		A	C-	AT114008
		SCALE: NONE		REVISION 01
		SHEET 1 OF 1		

Amphenol

Sine Systems - www.amphenol-sine.com
 44724 Morley Drive
 Clinton Township, MI 48036

PROBE TOOL, EXTRACTION SIZE 8