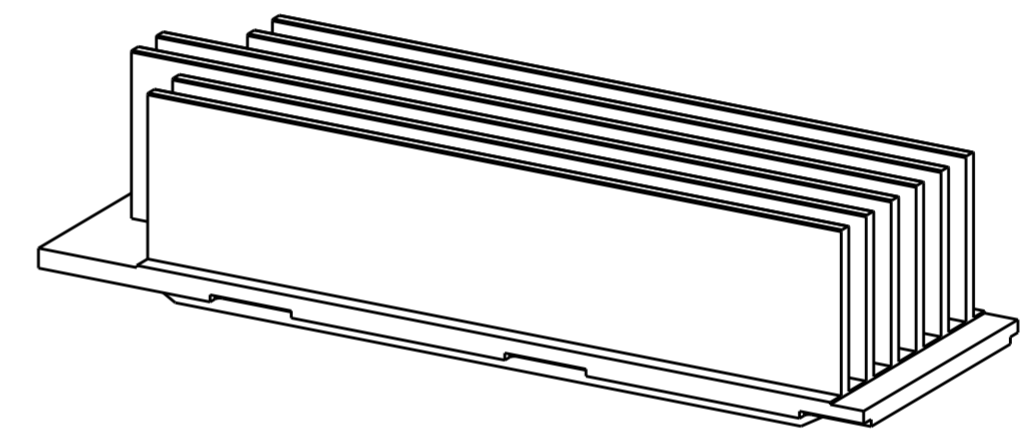
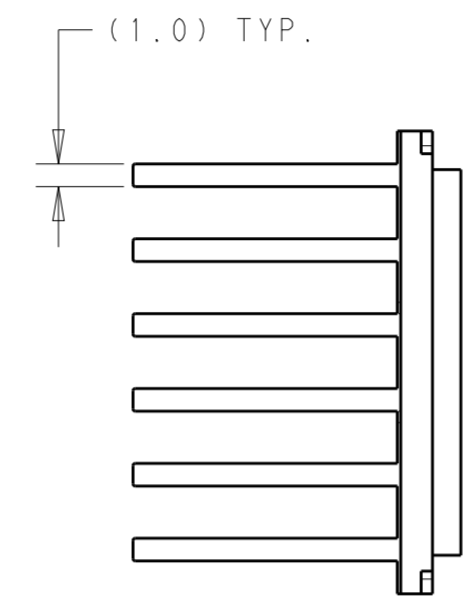
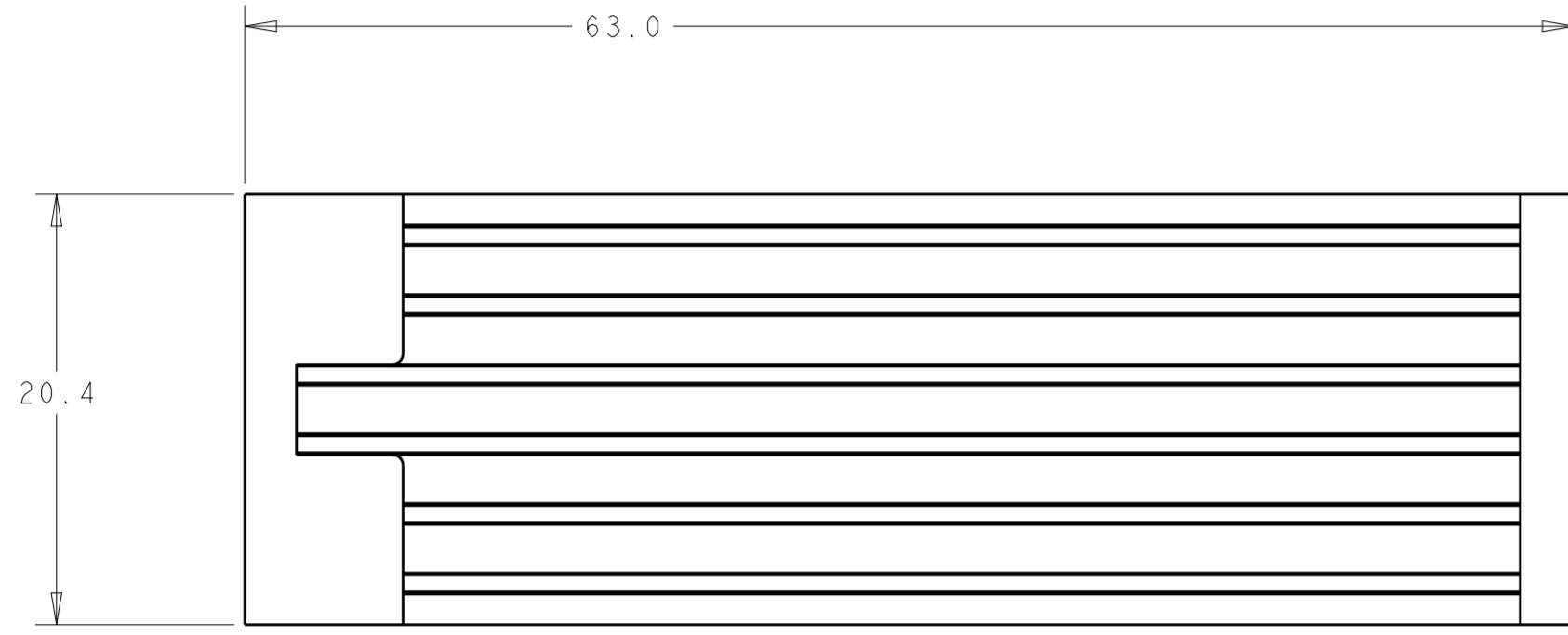
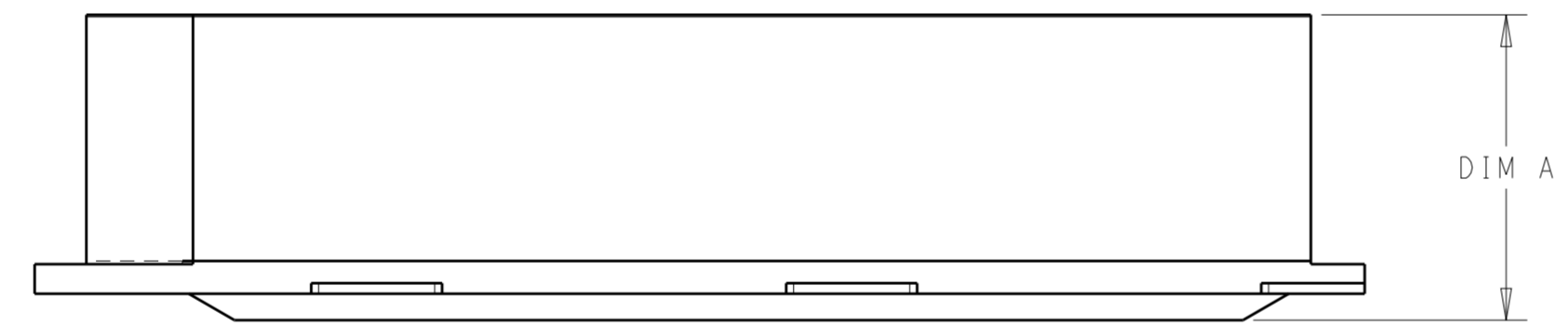


THIS DRAWING IS UNPUBLISHED. RELEASED FOR PUBLICATION 20  
 © COPYRIGHT 20 BY - ALL RIGHTS RESERVED.

REVISIONS				
P	LTR	DESCRIPTION	DATE	APVD
1		INITIAL RELEASE	11OCT2016	AD SH



2288231-3 AS SHOWN  
SCALE 2:1



THIS PRINT IS  
**PRELIMINARY**  
 UNQUALIFIED PRODUCT  
 CONTACT PRODUCT ENGINEERING  
 BEFORE USING THIS PRINT

- 1 MATERIAL: ALUMINUM ALLOY;
- 2 FINISH: ELECTROLESS NICKEL;
- 3 FINISH: ANODIZED BLACK;
- 4.0.2mm MAX BURR PERMISSIBLE
- 5.VARIATION IN PLATING COLOR IS NORMAL AND ALLOWED

16.25	3	2288231-6
14.45	3	2288231-3
DIM. A	FINISH	PART NUMBER

THIS DRAWING IS A CONTROLLED DOCUMENT.		DWN ANDY XIF 11OCT2016	 TE Connectivity <b>PRELIMINARY</b>													
DIMENSIONS: mm		CHK SEAN HAN 11OCT2016														
TOLERANCES UNLESS OTHERWISE SPECIFIED:		APVD SEAN HAN 11OCT2016														
<table border="1"> <tr><td>0 PLC</td><td>±</td></tr> <tr><td>1 PLC</td><td>±0.3</td></tr> <tr><td>2 PLC</td><td>±0.25</td></tr> <tr><td>3 PLC</td><td>±0.15</td></tr> <tr><td>4 PLC</td><td>±</td></tr> <tr><td>ANGLES</td><td>±</td></tr> <tr><td>FINISH</td><td>±</td></tr> </table>		0 PLC			±	1 PLC	±0.3	2 PLC	±0.25	3 PLC	±0.15	4 PLC	±	ANGLES	±	FINISH
0 PLC	±															
1 PLC	±0.3															
2 PLC	±0.25															
3 PLC	±0.15															
4 PLC	±															
ANGLES	±															
FINISH	±															
MATERIAL	-	PRODUCT SPEC -	APPLICATION SPEC -	SIZE A2	CAGE CODE -	DRAWING NO C-2288231	RESTRICTED TO -									
CUSTOMER DRAWING		WEIGHT -	SCALE 1:1		SHEET 1 OF 1	REV 1										