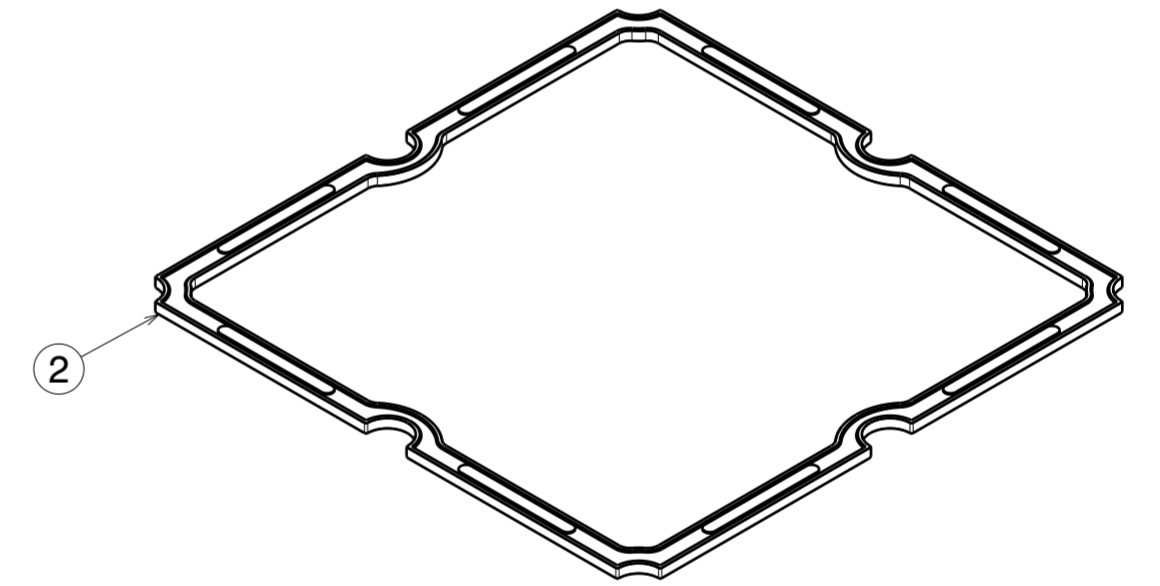
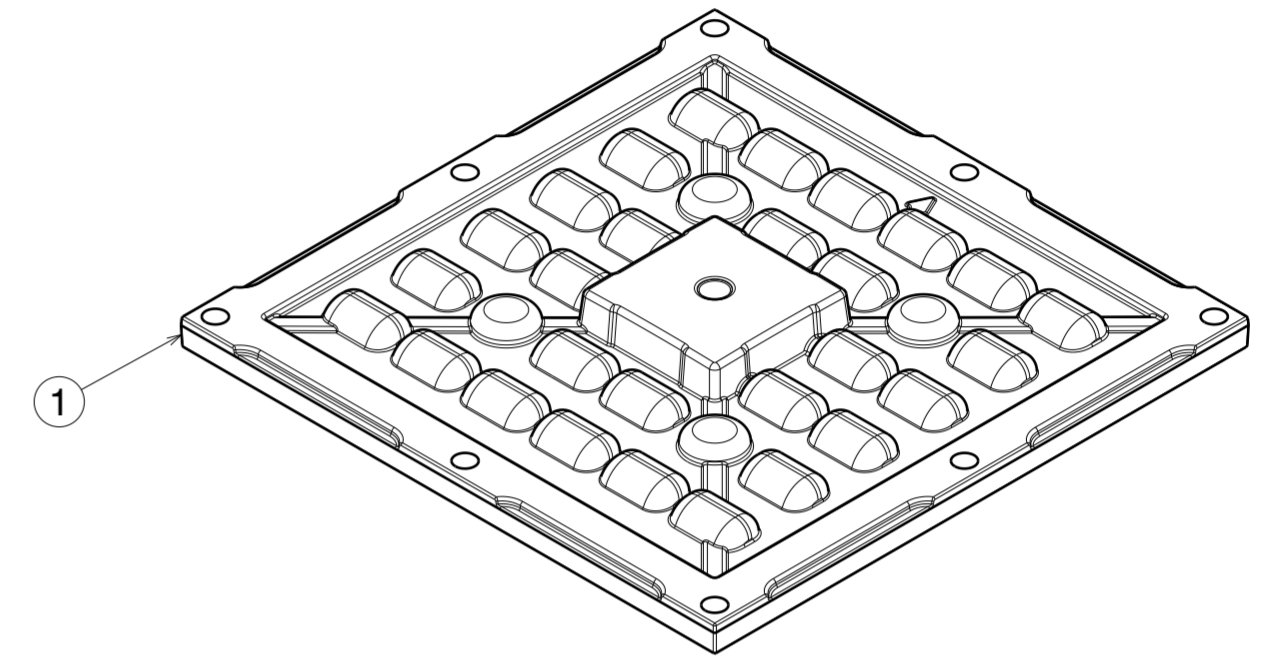
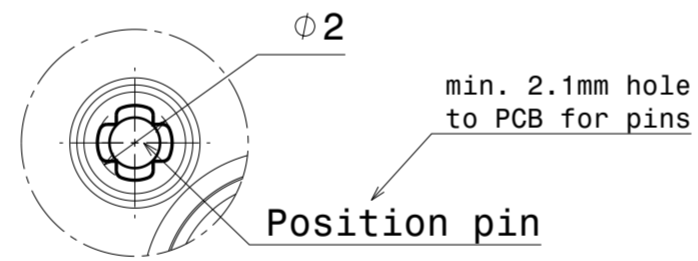
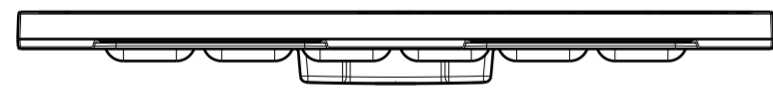


Detail B  
Scale: 5:1



Isometric view  
Scale: 1:1



Detail A  
Scale: 5:1

CS16579\_STRADELLA-IP-28-T1-A-PC

**COMPONENTS**

INDEX	PART	TYPE	MATERIAL	COLOR / COATING
1	C16571_STRADELLA-IP-28-T1-A-PC	Lens	PC	clear
2	C15900_STRADELLA-28-SEAL	Seal	Silicone	white

<b>MECHANICAL DRAWING</b>		<b>LEDiL</b> <sup>®</sup>
PRODUCT STRADELLA		
Plastic moulding general tolerances according to DIN 16901-130 and applies if not otherwise shown in the drawing. Silicone moulding general tolerances according to ISO 3302-1 Class M3 and applies if not otherwise shown in the drawing.	FIRST ANGLE PROJECTION: 	This drawing is the property of LEDiL Oy. It may not be copied or otherwise distributed without prior written permission from LEDiL Oy.
SCALE 1:1	WEIGHT 33,40g	A2 SHEET 1/1

**Notes**

	Heatsink level
	PCB level.
	LED location
	Ensure LED fitting from a product specific 3D model available from <a href="http://www.ledil.com">www.ledil.com</a>
	For more details about installation please see LEDiL Installation Guide on <a href="http://www.ledil.com">www.ledil.com</a>