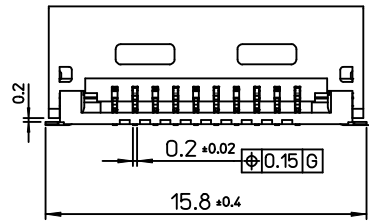
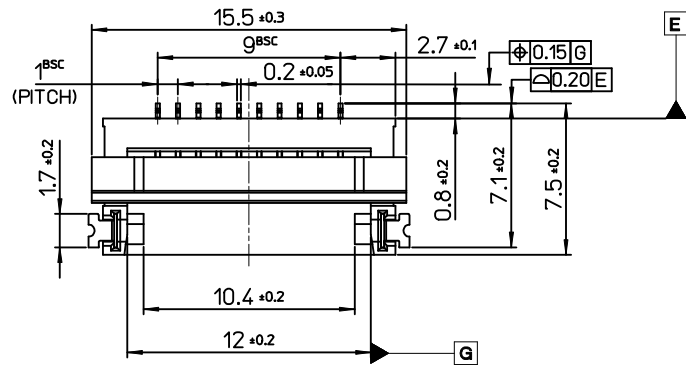


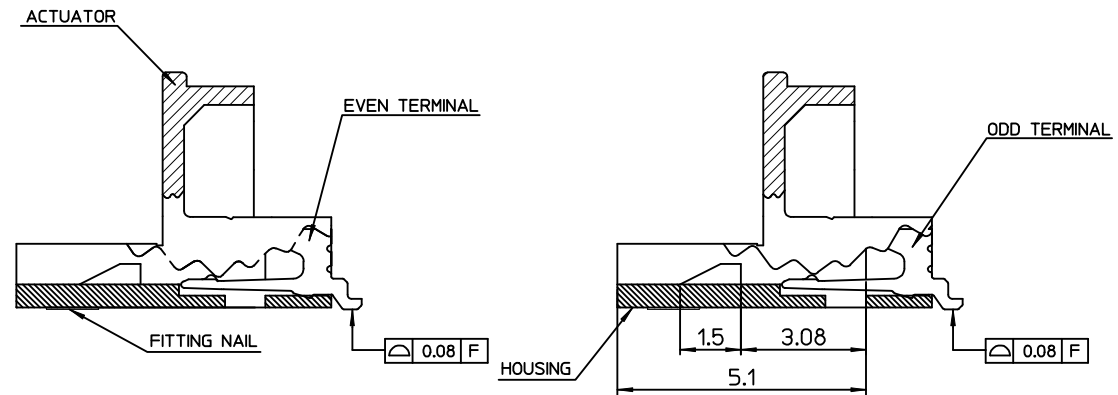
LEAD FREE

MOLEX CONFIDENTIAL

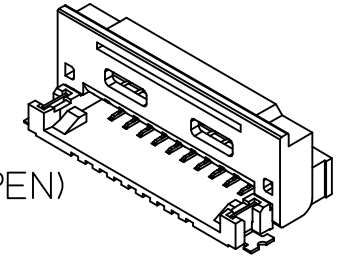


COPLANARITY : 0.08 MAX.

COPLANARITY 0.08mm MAX.

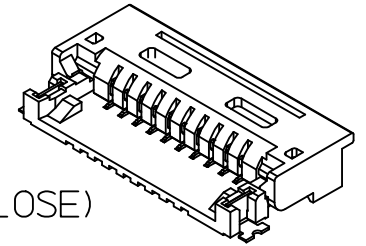


(OPEN)



ISOMETRIC VIEW

(CLOSE)



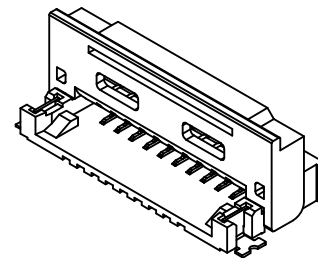
NOTES

- MATERIAL
 - HOUSING : NYLON, GLASS FILLED. UL94V-0, COLOR:BEIGE
 - ACTUATOR : LCP.(OR NYLON) GLASS FILLED. UL94V-0, COLOR:BLACK
 - TERMINAL : COPPER ALLOY
 - FITTING NAIL : COPPER ALLOY
- FINISHES
 - TERMINAL : Tin(Sn) 1.5~3um OVER NICKEL(Ni) PLATING 2~4um
 - FITTING NAIL : TIN(Sn) 1~3um OVER NICKEL(Ni) PLATING 1~3um
- PRODUCT SPECIFICATION : PS-49456-001
- PACKING SPECIFICATION : PK-49456-001
- ACTUATOR IS OPEN IN THE EMBOSSED PACKING

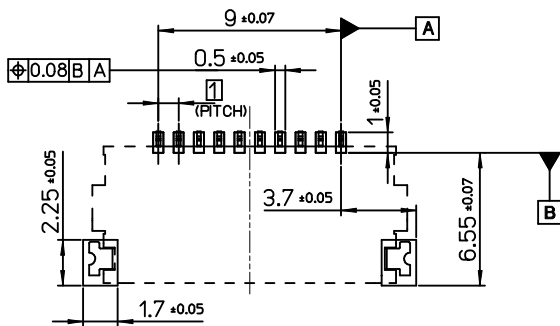
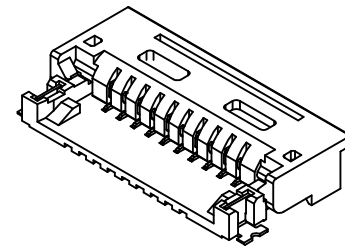
REVISED EC NO: KOR2010-0011 DRWN:JHJEONG 2009/07/24 CHKD:YSOOKIM 2009/07/24 APPR:YUNSIKKIM 2009/07/24 B1	QUALITY SYMBOLS ▽=0 ▽=0	GENERAL TOLERANCES (UNLESS SPECIFIED)		DIMENSION STYLE MM ONLY		SCALE 4:1	DESIGN UNITS METRIC	THIRD ANGLE PROJECTION		
		4 PLACES ± ---	± ---	DRAWN BY JHLEE05	DATE 2007/01/22	TITLE 1.0 FFC BACKFLIP CONN. HOUSING ASSY 10P (BOTTOM CONTACT)				
		3 PLACES ± ---	± ---	CHECKED BY KSKIM	DATE 2007/01/22					
		2 PLACES ± 0.25	± ---	APPROVED BY YSOOKIM	DATE 2007/01/22	MOLEX INCORPORATED				
1 PLACE ± 0.3	± ---	MATERIAL NO. 494561010		DOCUMENT NO. SD-49456-001						
DRAFT WHERE APPLICABLE MUST REMAIN WITHIN DIMENSIONS		SIZE A3		THIS DRAWING CONTAINS INFORMATION THAT IS PROPRIETARY TO MOLEX INCORPORATED AND SHOULD NOT BE USED WITHOUT WRITTEN PERMISSION						

LEAD-FREE

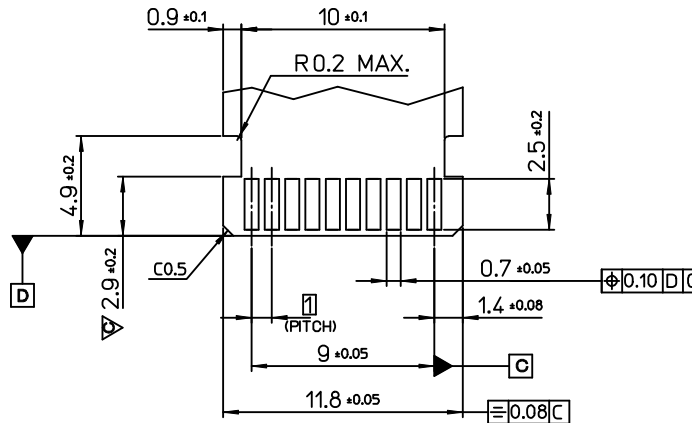
MOLEX CONFIDENTIAL



ISOMETRIC VIEW

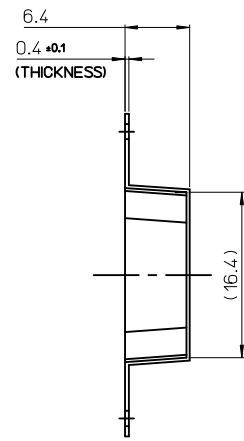
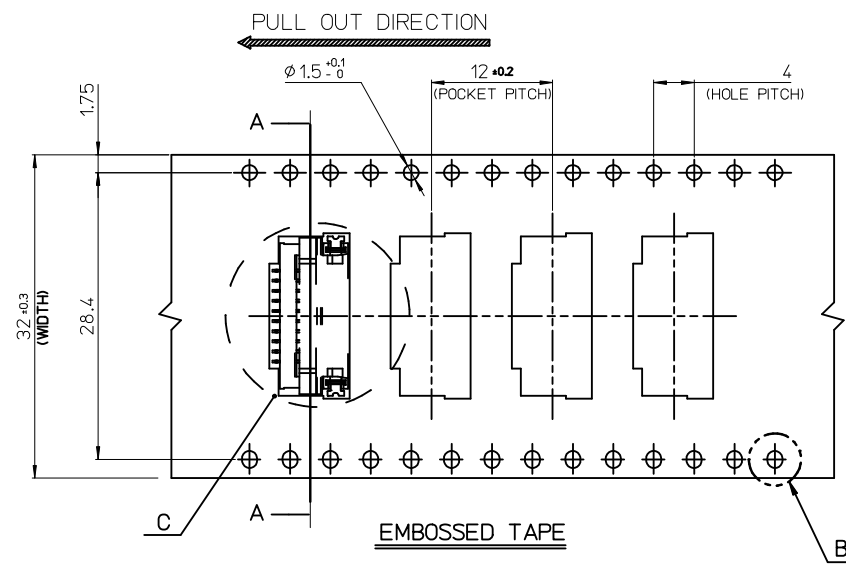


P.C. BOARD DIMENSION (RECOMMEND)

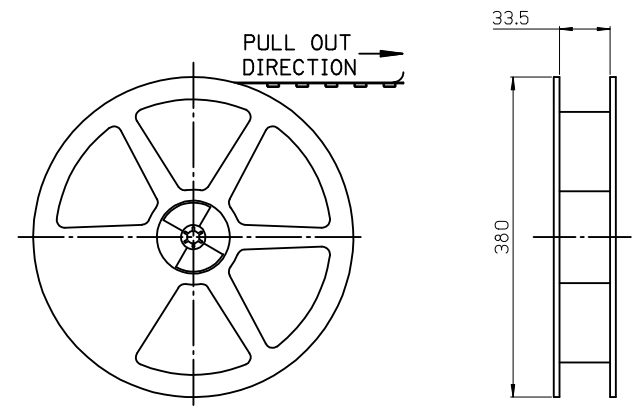


FPC/FFC DIMENSION (RECOMMEND)
(FLIM THICKNESS = 0.3±0.05)

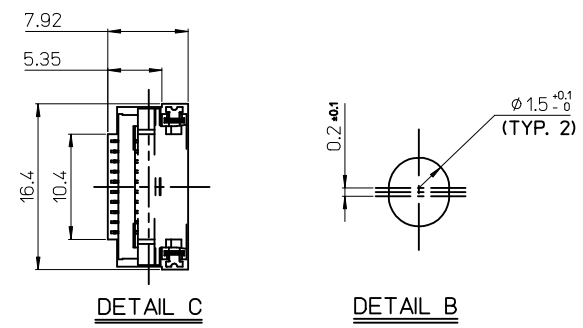
REVISED EC NO: KOR2010-0011 DRWN: HJEONG CHKD: APPR: YUNSIKIM	2009/07/24 2009/07/24 2009/07/24	DESCRIPTION B1	QUALITY SYMBOLS	GENERAL TOLERANCES (UNLESS SPECIFIED)		DIMENSION STYLE		SCALE	DESIGN UNITS	THIRD ANGLE PROJECTION		
			▽=0 ▽=0			MM ONLY		4:1	METRIC	TITLE 1.0 FFC BACKFLIP CONN. HOUSING ASSY 10P (BOTTOM CONTACT) MOLEX INCORPORATED		
				4 PLACES	± ---	± ---	DRAWN BY	DATE	MATERIAL NO. 494561010			
				3 PLACES	± ---	± ---	JHLEE05	2007/01/22				DOCUMENT NO. SD-49456-001
2 PLACES	± 0.25	± ---	CHECKED BY	DATE	SHEET NO. 2 OF 3							
1 PLACE	± 0.3	± ---	KSKIM	2007/01/22			THIS DRAWING CONTAINS INFORMATION THAT IS PROPRIETARY TO MOLEX INCORPORATED AND SHOULD NOT BE USED WITHOUT WRITTEN PERMISSION					
			ANGULAR ± 1 °		APPROVED BY				DATE			
			DRAFT WHERE APPLICABLE MUST REMAIN WITHIN DIMENSIONS		YSOOKIM		2007/01/22					



SECTION A-A



PLASTIC BOBBIN

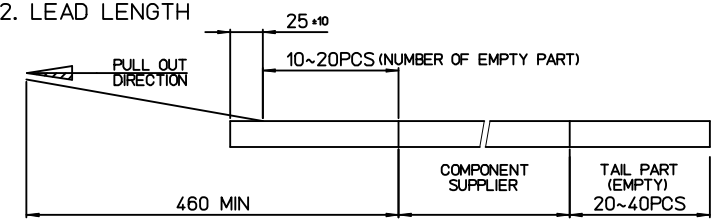


DETAIL C

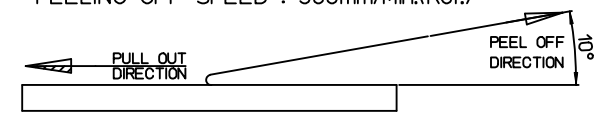
DETAIL B

NOTES

1. QUANTITY OF CONNECTORS : 1200PCS/REEL
2. LEAD LENGTH



3. PEELING OFF FORCE OF COVER TAPE : 0.1N~0.59N(10.2GF~60GF)
(PEELING DIRECTION AS SHOW IN FOLLOW FIG.)
PEELING OFF SPEED : 300mm/Min.(Ref.)



4. FLASH IN ANY PORTION SHOULD BE LESS THAN 0.20mm MAX.

494561017	494561010	32mm	49456-9910
MATERIAL NO.	CONNECTOR	TAPE WIDTH	EMBOSS TAPE
3	PLASTIC BOBBIN	HI P.S	WHITE
2	COVER TAPE	P.E.T	25.5mm
1	CARRIER (EMBOSED) TAPE	P.E.T	
NO.	DESCRIPTION	MATERIAL	REMARK

REVISED
 EC NO: KOR2010-0011
 DRWN:HJEONG 2009/07/24
 CHKD:YSOOKIM 2009/07/24
 APPR:YUNSIKKIM 2009/07/24

QUALITY SYMBOLS

 B1

GENERAL TOLERANCES (UNLESS SPECIFIED)	
mm	INCH
4 PLACES ± ---	± ---
3 PLACES ± ---	± ---
2 PLACES ± 0.25	± ---
1 PLACE ± 0.3	± ---
ANGULAR ± 1 °	
DRAFT WHERE APPLICABLE MUST REMAIN WITHIN DIMENSIONS	

DIMENSION STYLE MM ONLY	
DRAWN BY	DATE
JHLEE05	2007/01/22
CHECKED BY	DATE
KSKIM	2007/01/22
APPROVED BY	DATE
YSOOKIM	2007/01/22
MATERIAL NO.	494561010
SIZE	A3

SCALE 2:1	DESIGN UNITS METRIC	THIRD ANGLE PROJECTION
TITLE 1.0 FFC BACKFLIP CONN. HOUSING ASSY 10P (BOTTOM CONTACT)		
MOLEX INCORPORATED		
DOCUMENT NO. SD-49456-001	SHEET NO. 3 OF 3	
THIS DRAWING CONTAINS INFORMATION THAT IS PROPRIETARY TO MOLEX INCORPORATED AND SHOULD NOT BE USED WITHOUT WRITTEN PERMISSION		