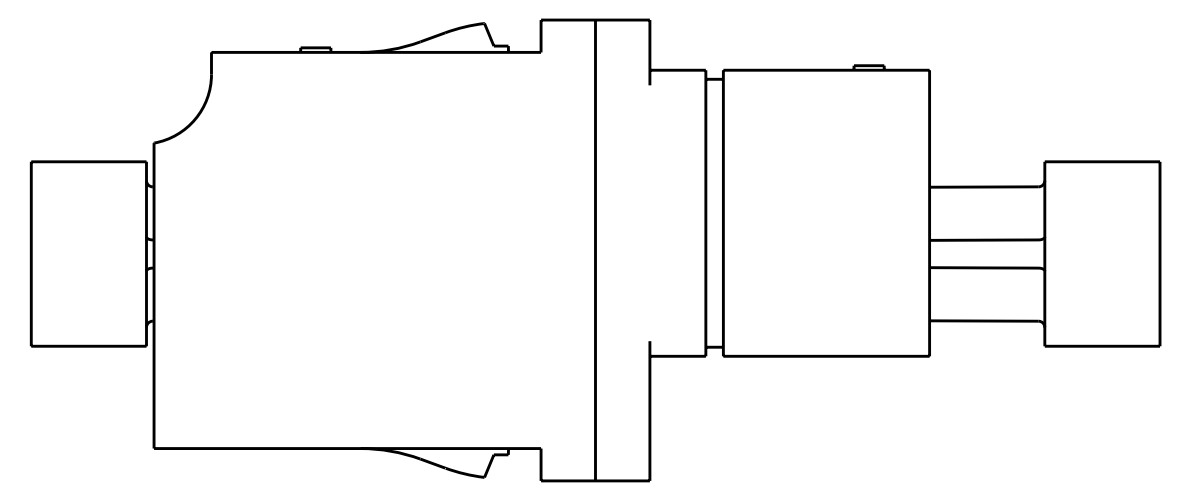
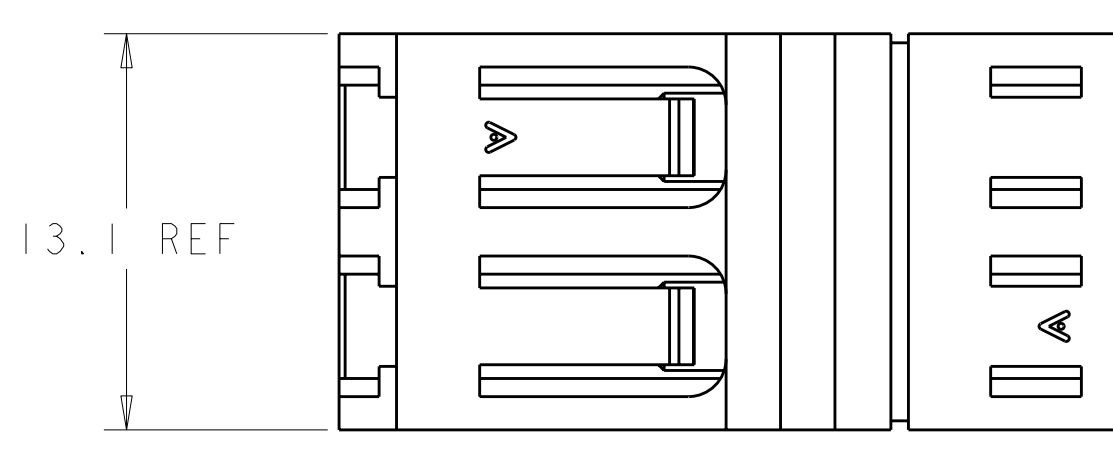


LOC	DIST	REVISIONS					
		P	LTB	DESCRIPTION	DATE	DWN	APVD
HG	-	A		ECR-08-027904	19NOV2008	EJH	DB
		A1		REV PER ECR-10-016231	10AUG2010	IL	CT

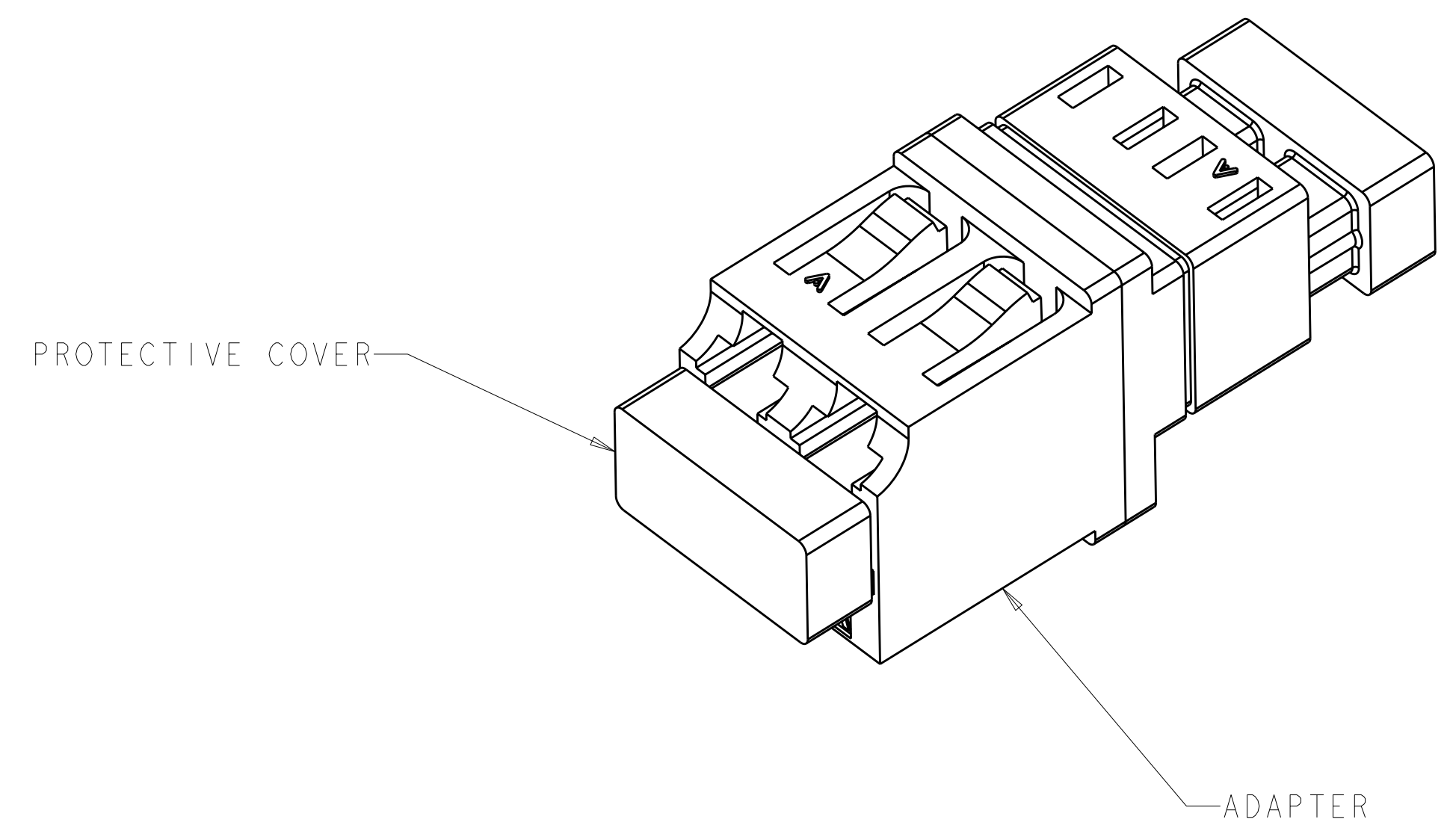
MATERIAL:
 HOUSINGS: THERMOPLASTIC, PPE-PS*
 ALIGNMENT SLEEVES: CERAMIC OR PHOS. BRONZE
 PROTECTIVE COVERS: THERMOPLASTIC ELASTOMER*
 * UL 94 V-0 RATED AT QUALIFYING THICKNESS



SIDE VIEW WITH PROTECTIVE COVERS SHOWN

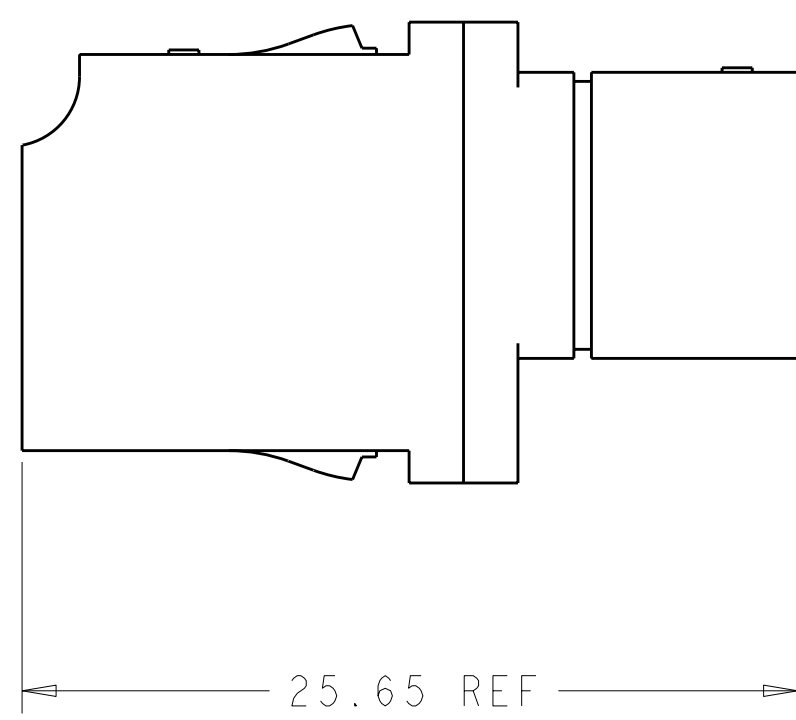


13.1 REF



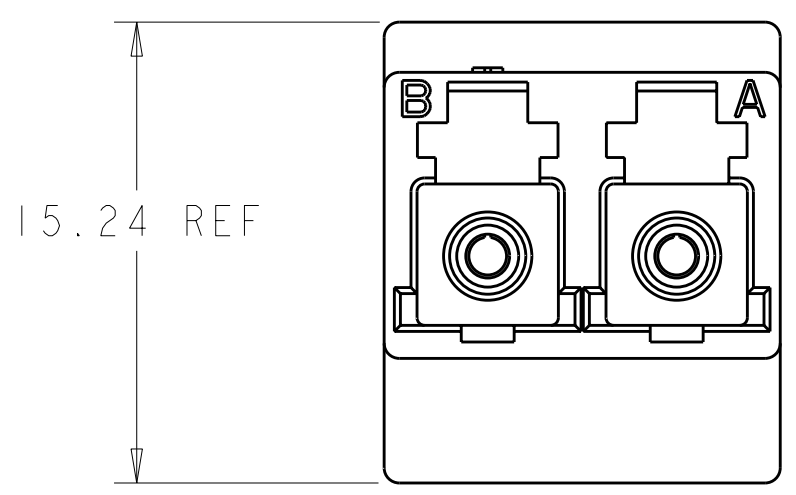
PROTECTIVE COVER

ADAPTER

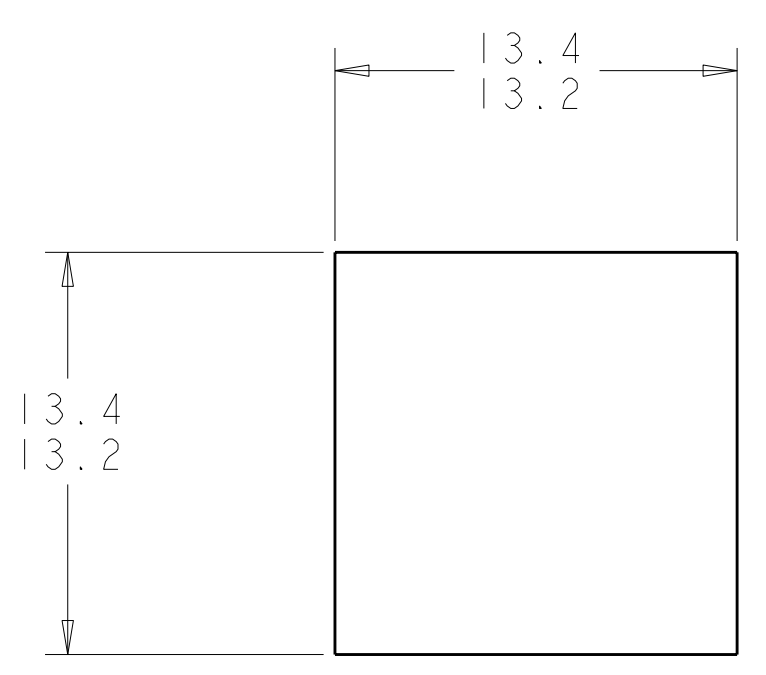


PROTECTIVE COVERS NOT SHOWN

25.65 REF



15.24 REF



13.4
13.2

RECOMMENDED PANEL CUTOUT
 MAX PANEL THK. 1.7

BEIGE	PHOS. BRONZE	1985150-4
BLUE	PHOS. BRONZE	1985150-3
BEIGE	CERAMIC	1985150-2
BLUE	CERAMIC	1985150-1
ADAPTER COLOR ALIGNMENT SLEEVE		PART NO.

DIMENSIONS: mm 		TOLERANCES UNLESS OTHERWISE SPECIFIED: 0 PLC ± 1 PLC ± 2 PLC ± 3 PLC ± 4 PLC ± ANGLES ± FINISH		DWN R. GLATFELTER 07JUN2007 CHK E. HOPKINS 11JUN2007 APVD D. BAECHTLE 11JUN2007 PRODUCT SPEC APPLICATION SPEC WEIGHT CUSTOMER DRAWING		Tyco Electronics Corporation Shanghai, China NAME LC ADAPTER ASSEMBLY, SR-JR SIZE CAGE CODE DRAWING NO A1 - C=1985150 SCALE 4:1 SHEET 1 OF 1 REV A1	
-----------------------	--	---	--	---	--	--	--