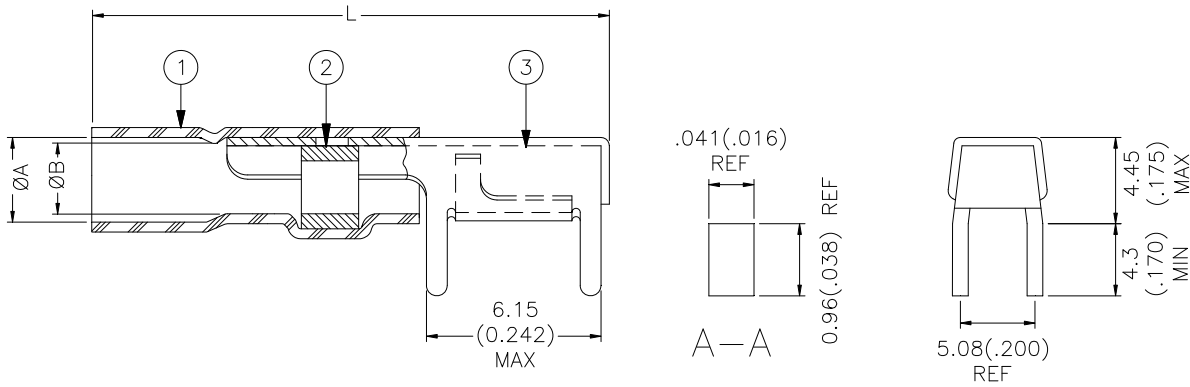


## CUSTOMER DRAWING



Product Name	Product Dimensions			Cable Dimensions	
	L max	ØA min	ØB min	ØD	ØE <sup>1</sup>
D-607-10	24.0 (0.945)	4.0 (0.155)	2.8 (0.110)	1.8 to 4.0 (0.070 to 0.155)	1.9 to 2.8 (0.075 to 0.110)

1) Shield may be folded back over jacket to increase diameter.

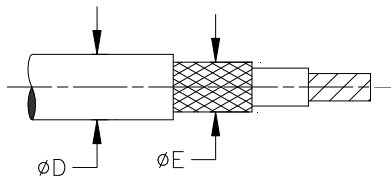
### MATERIALS

1. **INSULATION SLEEVE:** Heat-shrinkable, transparent blue, radiation cross-linked polyvinylidene fluoride.
2. **SOLDER PREFORM WITH FLUX:**  
 SOLDER: TYPE Sn63 per ANSI-J-STD-006.  
 FLUX: TYPE ROL1 per ANSI-J-STD-004.
3. **TERMINATOR BODY BASE METAL:** Copper alloy.  
 Plating: Tin lead solder per SAE Specification AMS-P-81728.

### APPLICATION

1. These parts are designed to provide an environment protected shield termination on cables, rated for 125°C minimum, meeting the dimensional criteria listed, having tin, or silver plated copper shields.
2. Temperature range: -55°C to +150°C. Install using Raychem-approved convection or infrared tools in accordance with TE Connectivity assembly procedure ES-61139.

For best results, prepare the cable as shown:



<b>TE</b> TE Connectivity			TITLE: <b>PCB TERMINATOR</b>		
Unless otherwise specified dimensions are in millimeters. [Inches dimensions are shown in brackets] DIMENSIONING AND TOLERANCING PER ASME Y14.5-2009		Raychem Devices	DOCUMENT NO.:  <b>D-607-10</b>		
TOLERANCES: 0.00 N/A 0.0 N/A 0 N/A	ANGLES: N/A  ROUGHNESS IN MICRON	Tyco Electronics reserves the right to amend this drawing at any time. Users should evaluate the suitability of the product for their application.	REV:  H	DATE:  September 20, 2012	
PREPARED BY: RODRIGUEZ	CAGE CODE: 06090		ECO NUMBER: ECO-12-016931	SCALE:  NTS	SIZE:  A