

THIS DRAWING IS UNPUBLISHED.

RELEASED FOR PUBLICATION

20

© COPYRIGHT 20 BY -

ALL RIGHTS RESERVED.

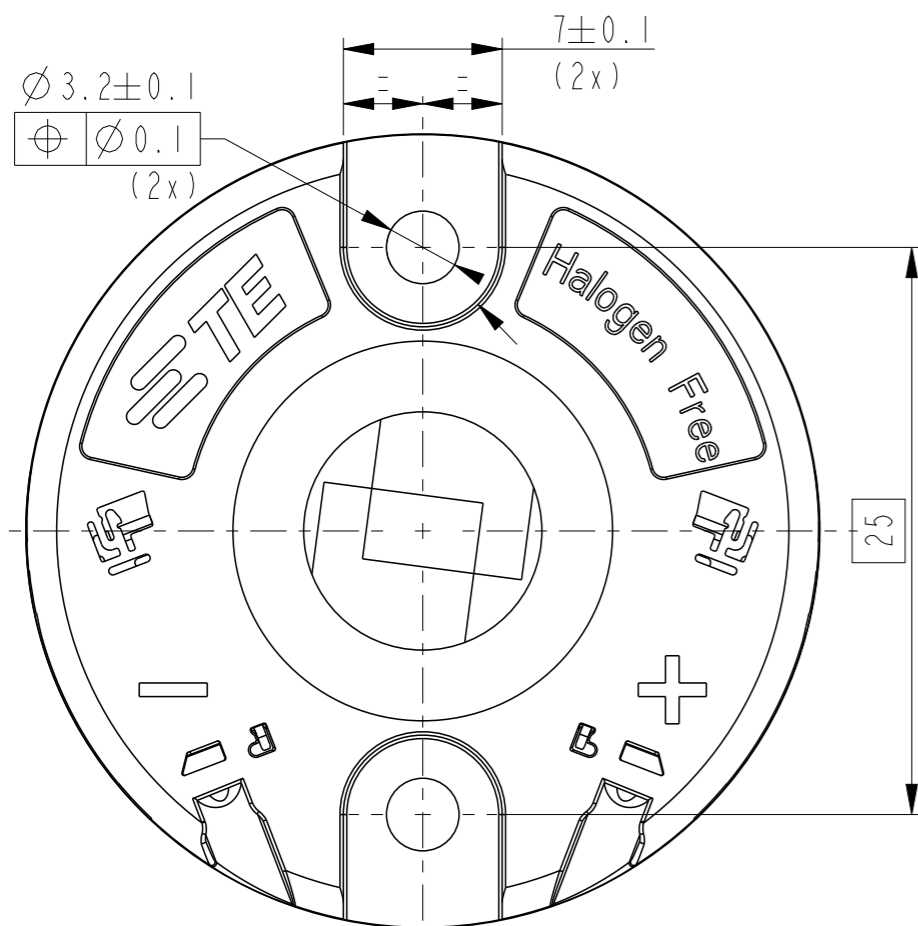
LOC DIST

REVISIONS

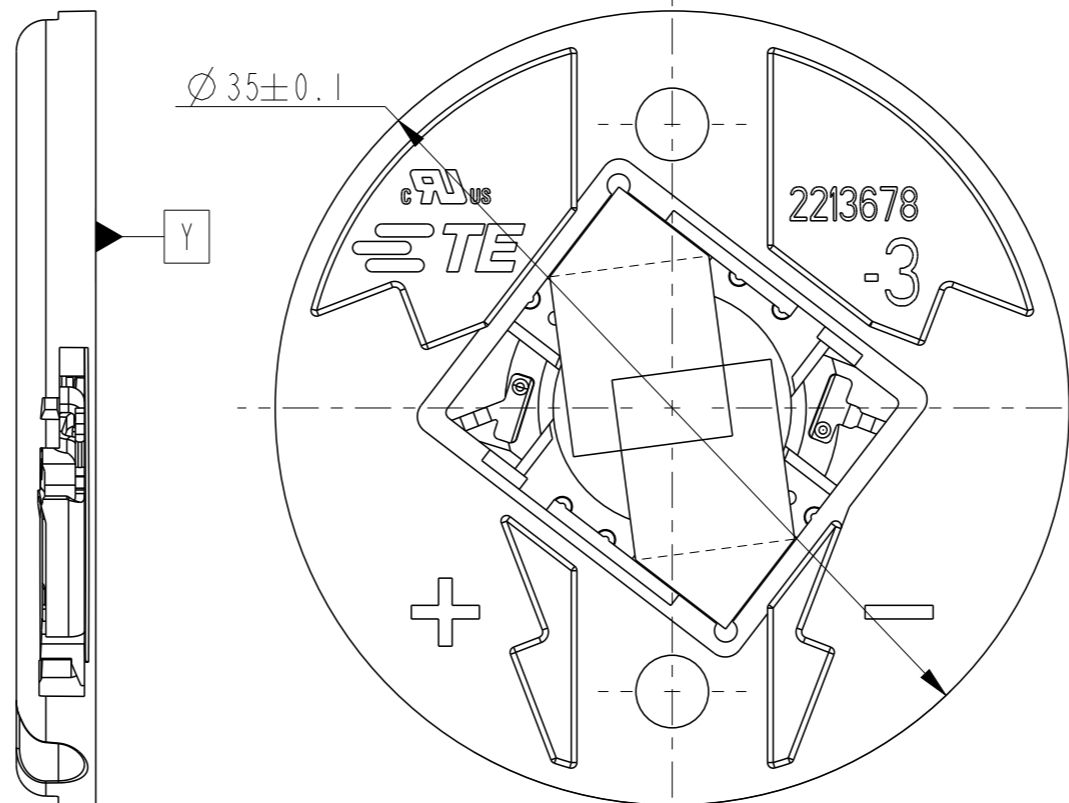
P	LTR	DESCRIPTION	DATE	DWN	APVD
A		RELEASED FOR PRODUCTION	31AUG2016	KR	MvE
B		NEW PRODUCT INTRODUCTION	12SEP2016	KR	MvE
B1		ECR-16-013138	14SEP2016	KR	MvE
B2		ADDED RELEASED LEDS	28JAN2017	RK	MVE

NOTES:

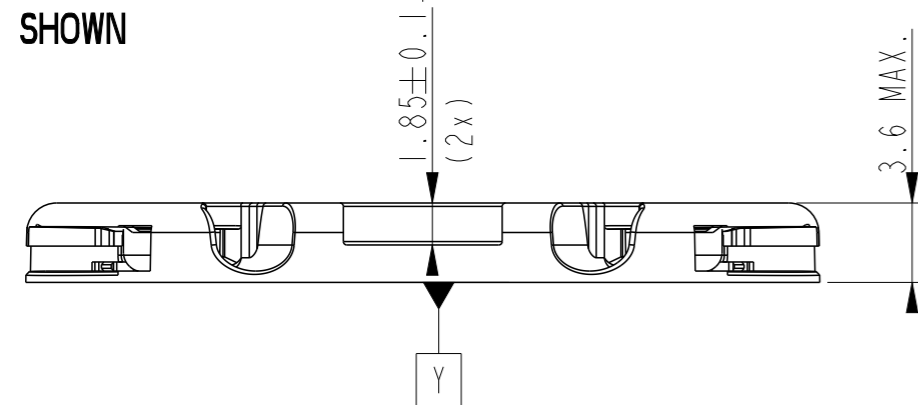
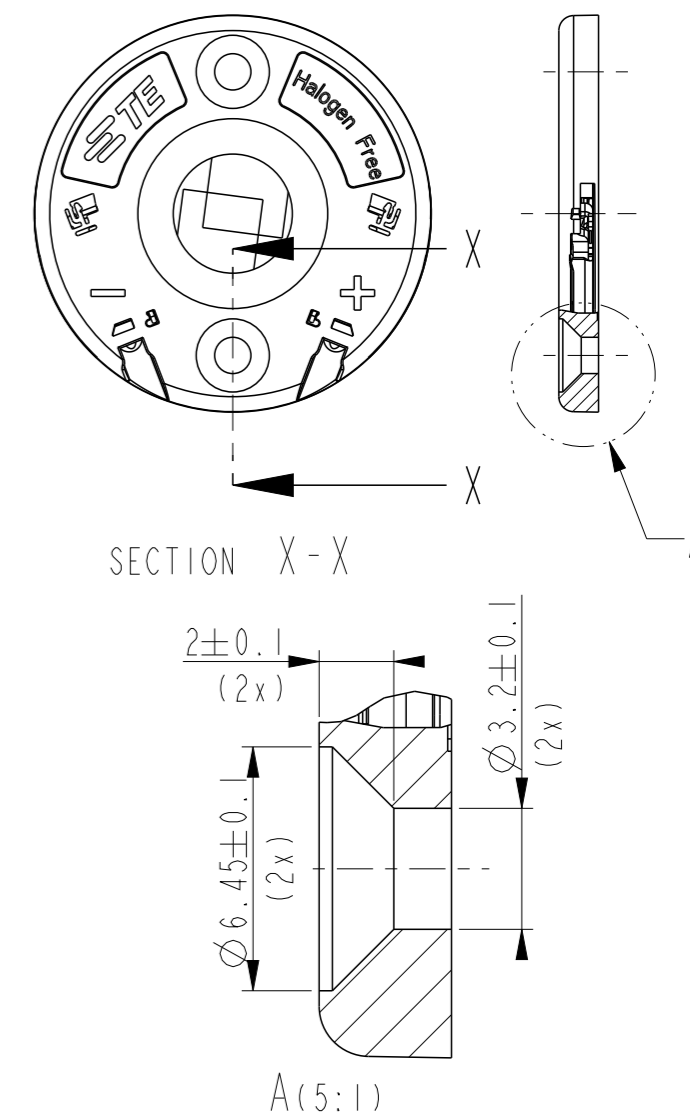
- MATERIALS:
  - HOLDER: PBT, COLOR: NATURAL,
  - CONTACTS: COPPER ALLOY, Ni/Au PLATING.
- FOR SOLID, FUSED AND STRANDED WIRE TYPES AWG 18 AND 20 ACC. UL 1007.
- WIRE STRIP LENGTH: 11-12 mm
- MAX. WIRE INSULATION OUTER DIAM.:  $\varnothing 2.3\text{mm}$ .
- RECOMMENDED SCREW TORQUE: 0.4 - 0.6 Nm.
- SCREWS TO BE USED:
  - PAN HEAD M3, #4-40 AND COUNTERSUNK M3 (2x), SEE TABLE SHEET 2.
- FOR LED THICKNESS RANGE 0.9-1.0 NOM.
- LED MATING ON 2 CORNERS WITH ADHESIVE TAPE.
- SPECIAL PACKAGING IN 10 PIECES TRAY.



P/N 2213678-3 AS SHOWN



P/N 2213678-4 AS SHOWN



THIS DRAWING IS A CONTROLLED DOCUMENT.

DIMENSIONS: mm

TOLERANCES UNLESS OTHERWISE SPECIFIED:

0 PLC	±0.2
1 PLC	±0.2
2 PLC	±0.1
3 PLC	±0.1
4 PLC	±0.1
ANGLES	±5

MATERIAL

FINISH

DWN P. POORTER 22MAY2015

CHK O. LEIJNSE 22MAY2015

APVD O. LEIJNSE 22MAY2015

PRODUCT SPEC 108-133062

APPLICATION SPEC 114-133062

WEIGHT

CUSTOMER DRAWING

STE TE Connectivity

NAME MINI COB HOLDER PLATFORM

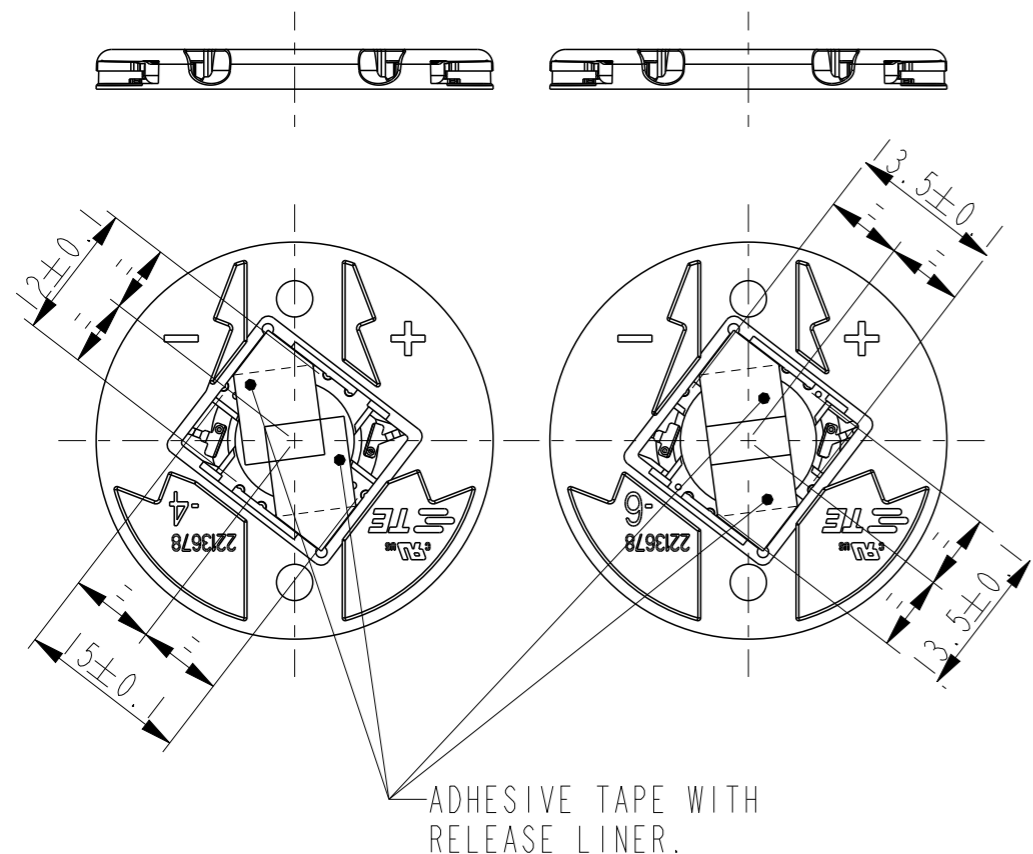
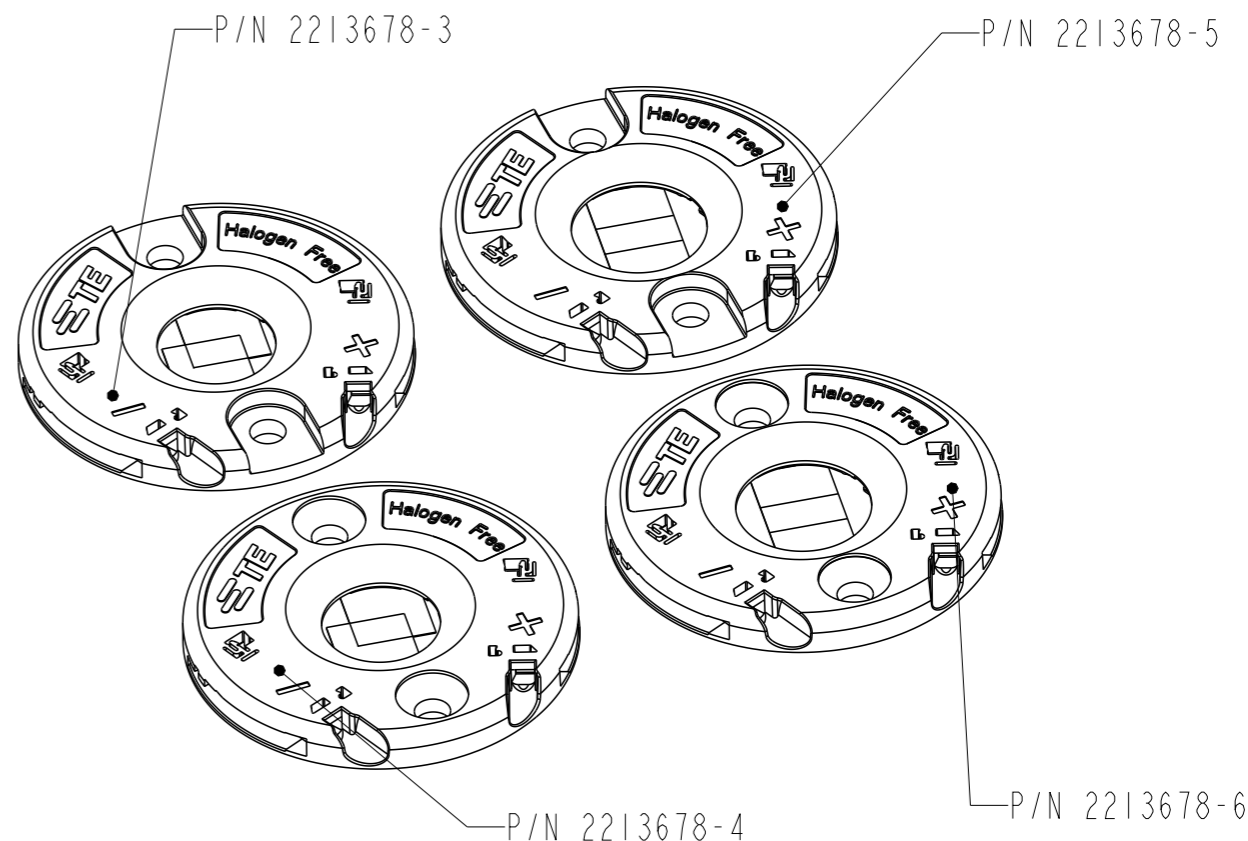
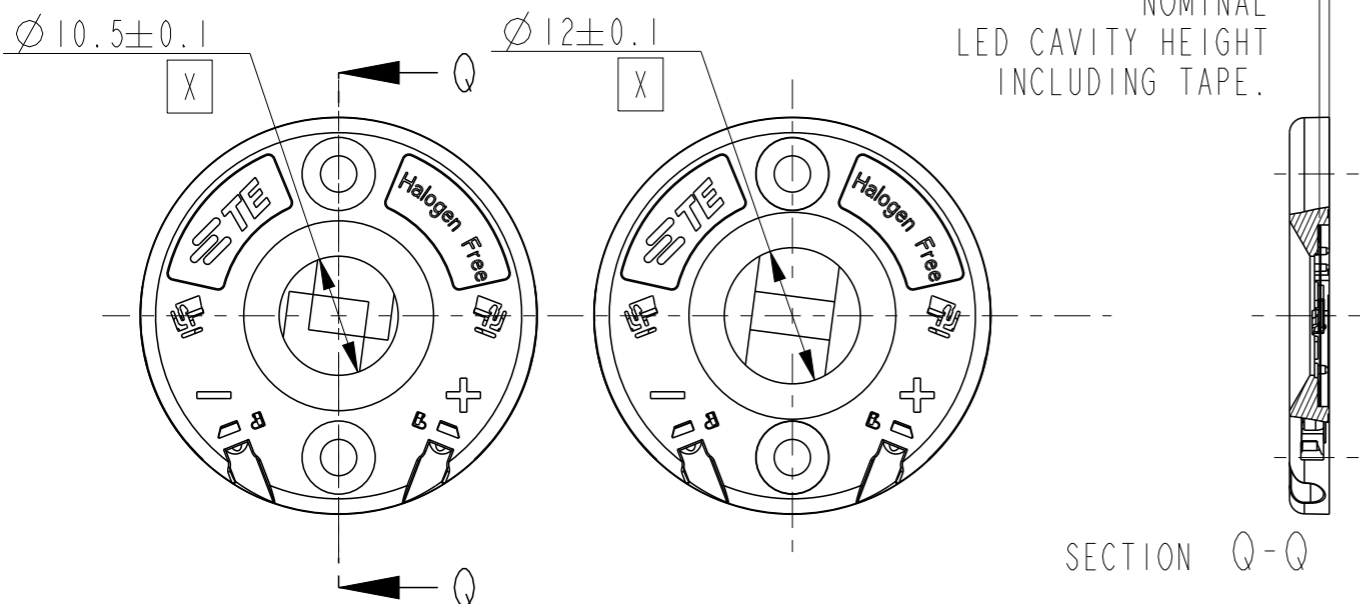
SIZE A3 CAGE CODE 00779 DRAWING NO. C-2213678 RESTRICTED TO

SCALE 1:1 SHEET 1 OF 3 REV B2

P	LTR	DESCRIPTION	DATE	DWN	APVD
-	-	SEE SHEET 1	-	-	-

LED OUTLINE:  
P/N 1-2213678-4 (NO TAPE)  
P/N 1-2213678-3 (NO TAPE)  
P/N 2213678-3  
P/N 2213678-4 (SHOWN)

LED OUTLINE:  
P/N 1-2213678-6 (NO TAPE)  
P/N 1-2213678-5 (NO TAPE)  
P/N 2213678-5  
P/N 2213678-6 (SHOWN)



2-2213678-3	35mm LED Holder	12*15	PAN HEAD	YES	YES
1-2213678-6	35mm LED Holder	13.5*13.5	COUNTERSUNK	NO	ON REQUEST
1-2213678-5	35mm LED Holder	13.5*13.5	PAN HEAD	NO	ON REQUEST
1-2213678-4	35mm LED Holder	12*15	COUNTERSUNK	NO	ON REQUEST
1-2213678-3	35mm LED Holder	12*15	PAN HEAD	NO	YES
2213678-6	35mm LED Holder	13.5*13.5	COUNTERSUNK	YES	YES
2213678-5	35mm LED Holder	13.5*13.5	PAN HEAD	YES	YES
2213678-4	35mm LED Holder	12*15	COUNTERSUNK	YES	YES
2213678-3	35mm LED Holder	12*15	PAN HEAD	YES	YES
PART NO	DESCRIPTION	LED OUTLINE	SCREW TYPE	TAPE	AVAILABLE

THIS DRAWING IS A CONTROLLED DOCUMENT.

DWN P. POORTER 22MAY2015  
CHK O. LEIJNSE 22MAY2015  
APVD O. LEIJNSE 22MAY2015

STE TE Connectivity

NAME MINI COB HOLDER PLATFORM

PRODUCT SPEC 108-133062  
APPLICATION SPEC 114-133062

SIZE A3 CAGE CODE 00779 DRAWING NO C-2213678 RESTRICTED TO -

MATERIAL FINISH WEIGHT CUSTOMER DRAWING SCALE 3:2 SHEET 2 OF 3 REV B2

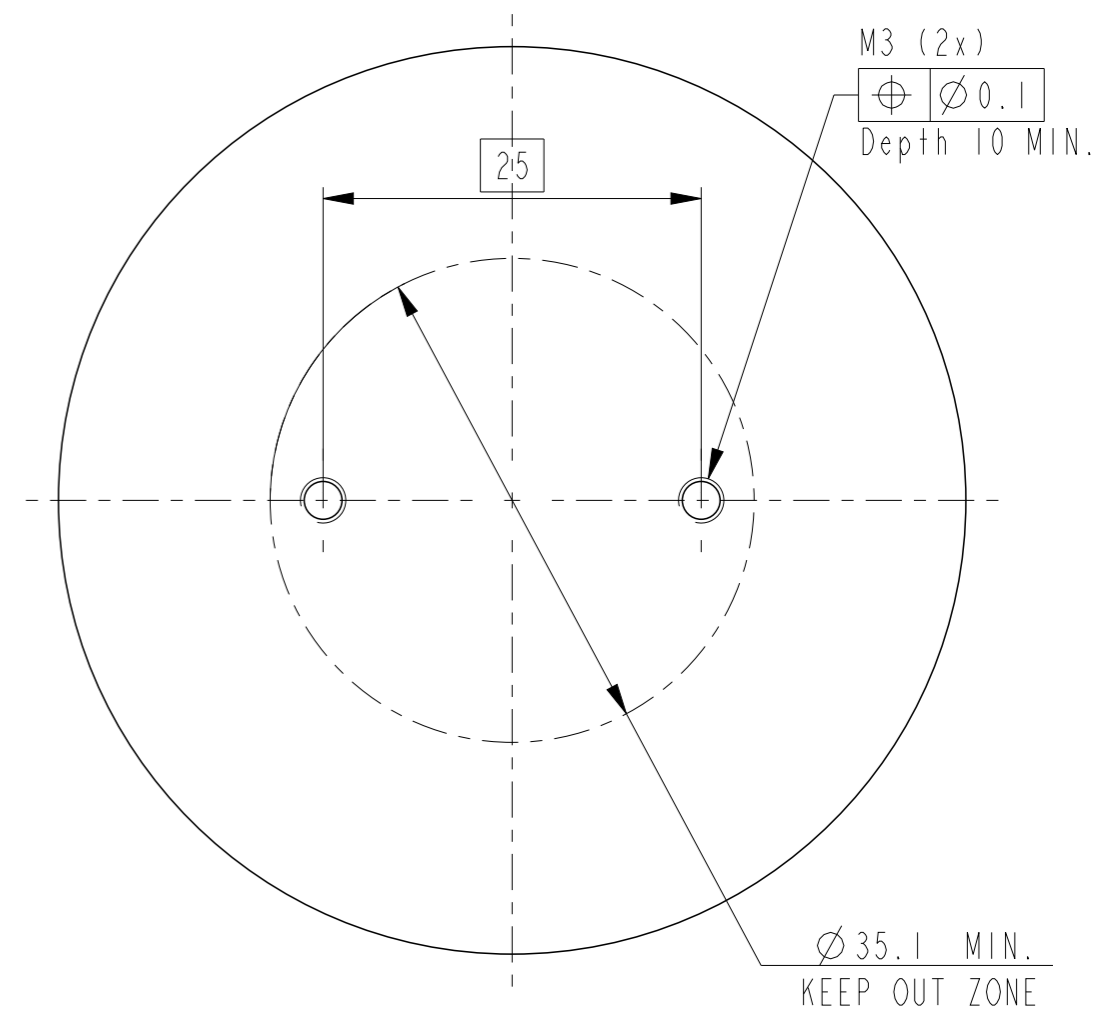
THIS DRAWING IS UNPUBLISHED. RELEASED FOR PUBLICATION 20  
 © COPYRIGHT 20 BY - ALL RIGHTS RESERVED.

LOC		DIST		REVISIONS		
P	LTR	DESCRIPTION	DATE	DWN	APVD	
	-	SEE SHEET 1	-	-	-	

**RELEASED LED'S**

BRAND	TYPE	DATA SHEET	REVISION	TE PART NUMBER
BRIDGELUX	H6		BRIDGELUX H6 ARRAY PRODUCT DATA SHEET DS80 REV. B (2/2016)	2213678-5 & 2213678-6
BRIDGELUX	V10C GEN 7 ARRAY		DS100 REV. C (07/2016)	2213678-4 & 2213678-5
CITIZEN	CLU700			2213678-5 & 2213678-6
CITIZEN	CLL020			2213678-5 & 2213678-6
CITIZEN	CLL022			2213678-5 & 2213678-6
CITIZEN	CLU024			2213678-5 & 2213678-6
CITIZEN	CLU026			2213678-5 & 2213678-6
CITIZEN	CLU025			2213678-5 & 2213678-6
CITIZEN	CLU027			2213678-5 & 2213678-6
CITIZEN	CLU701			2213678-5 & 2213678-6
EDISON OPTO	2PHM09X			2213678-5 & 2213678-6
EVERLIGHT	JUI215			2213678-3 & 2213678-4
LUMILEDS	LUXEON COB 105			2213678-3 & 2213678-4
LUMILEDS	LUXEON COB 107			2213678-3 & 2213678-4
LUMILEDS	LUXEON COB 109			2213678-3 & 2213678-4
LUMINUS	CLM-9 GEN 3		PDS-002816 REV 02	2213678-5 & 2213678-6
LUMINUS	CXM-9 GEN 3		PDS-002817 REV 03	2213678-5 & 2213678-6
LUMINUS	CHM6-XH		PDS-002620-REV 03	2213678-5 & 2213678-6
LUMINUS	CHM-9-AC00		PDS-002451 REV 03	2213678-5
PANASONIC	C14 135		20150730	2213678-5 & 2213678-6
SAMSUNG	LC010C		REV. 2.1 2016.6.20	2213678-3 & 2213678-4
SAMSUNG	LC020C		REV. 2.1 2016.6.20	2213678-3 & 2213678-4
SEOUL	SDW81FIDY_ZC4			2213678-5 & 2213678-6
SHARP	MINI ZENIGATA			2213678-3 & 2213678-4
TRIDONIC	SLE-G5-LES6			2213678-5 & 2213678-6
TRIDONIC	SLE-G5-LES11			2213678-5 & 2213678-6
TRIDONIC	SLE-G6-LES10		JUNE 22ND 2016	2213678-5 & 2213678-6
TRIDONIC	G6 LES 10 ADV		1-SEP-16	2213678-5 & 2213678-6

**RECOMMENDED DRILLING HOLE PATTERN**



THIS DRAWING IS A CONTROLLED DOCUMENT.

DIMENSIONS: mm		TOLERANCES UNLESS OTHERWISE SPECIFIED:	
		0 PLC	±0.2
		1 PLC	±0.2
		2 PLC	±0.1
		3 PLC	±0.1
		4 PLC	±0.1
MATERIAL		FINISH	
		±5	

DWN	P. POORTER	22MAY2015
CHK	O. LEIJNSE	22MAY2015
APVD	O. LEIJNSE	22MAY2015
PRODUCT SPEC	108-133062	
APPLICATION SPEC	114-133062	
WEIGHT		
CUSTOMER DRAWING		

**STE** TE Connectivity

NAME: **MINI COB HOLDER PLATFORM**

SIZE	CAGE CODE	DRAWING NO	RESTRICTED TO
A3	00779	©-2213678	-
SCALE		SHEET	REV
2:1		3 OF 3	B2