

THIS DRAWING IS UNPUBLISHED.

RELEASED FOR PUBLICATION

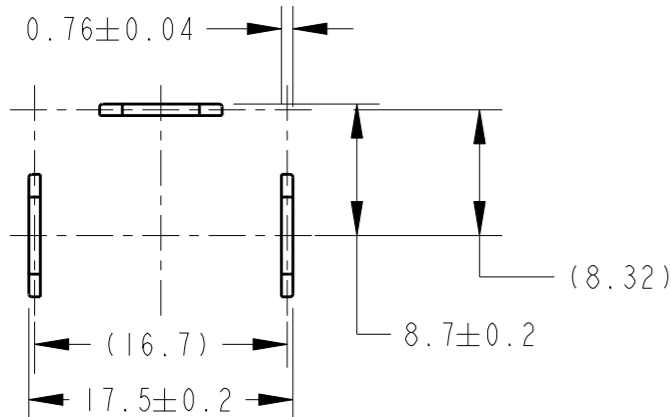
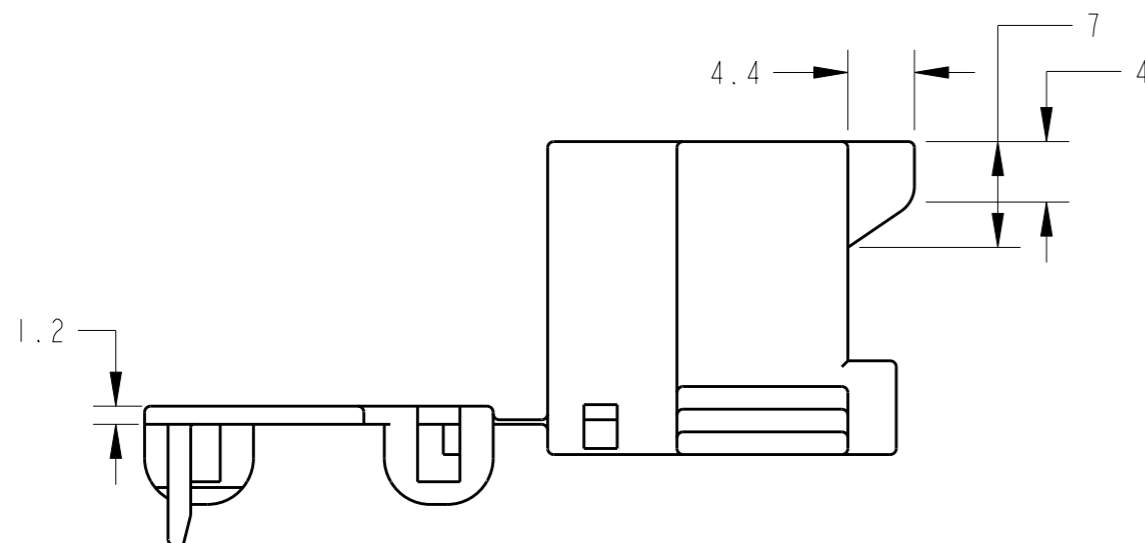
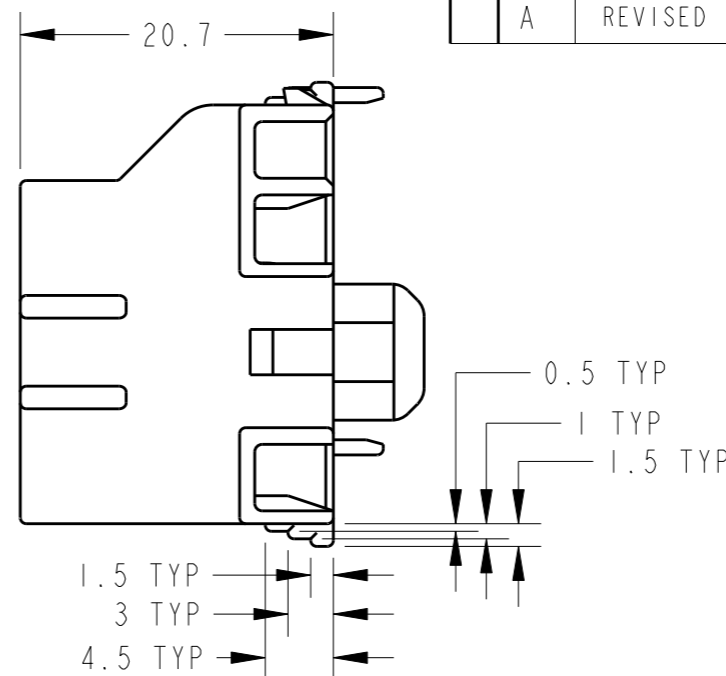
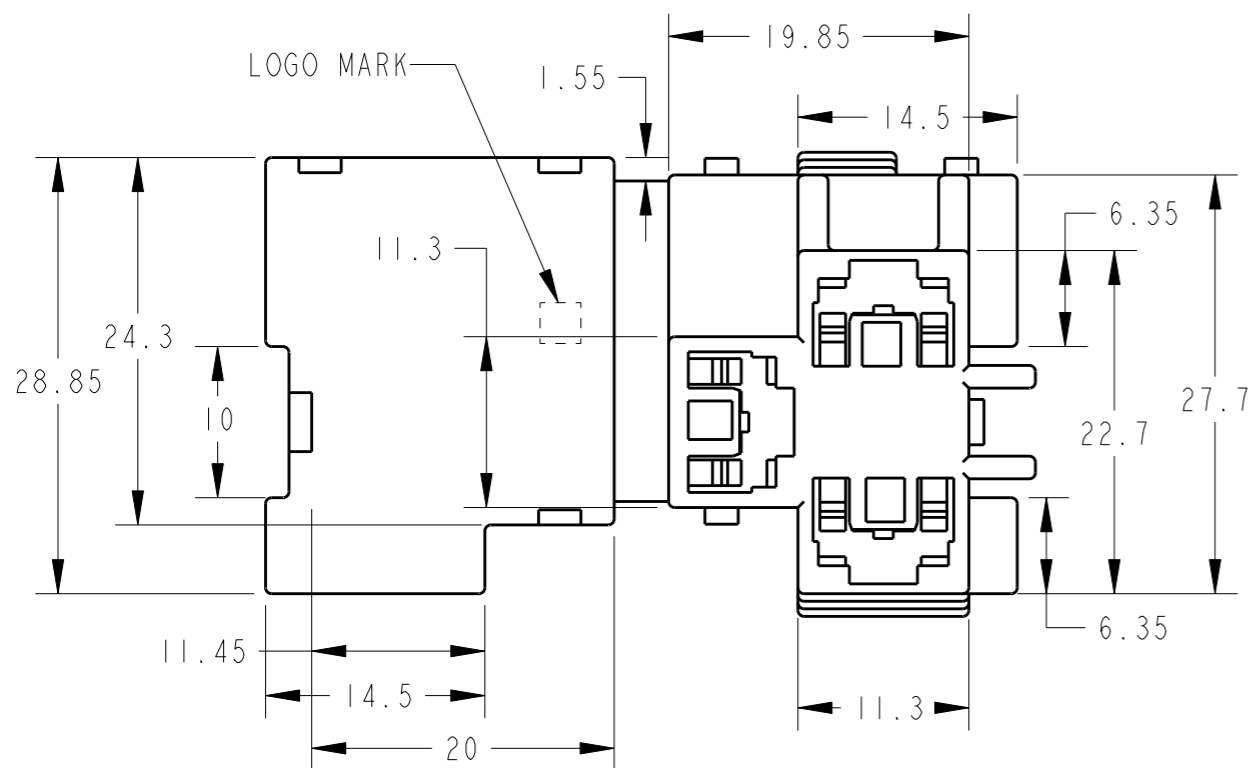
20

© COPYRIGHT 20

ALL RIGHTS RESERVED.

LOC	DIST
J	-

REVISIONS 変更					
P	LTR	DESCRIPTION	ECN	DATE	APVD
0		RELEASED	FJ00-0504-97	03APR97	KF KS
01		REVISED	FJ00-0124-02	31JAN02	AY KB
02		REVISED	FJ00-0154-03	23JAN03	TS KB
A		REVISED	ECR-16-000522	13JAN2016	TS KB



タブ配置 (TAB ALIGNMENT) スケール 2:1

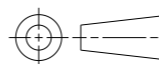
- 適用するリセプタクルは、型番172795, 172796, 900318及び900319である。
- アンブシールドビームコネクタ用タブ 番号79-25183 と嵌合する。(SAE, JASO及びJIS規格に準拠。)

- APPLICABLE RECEPTACLES ARE 172795, 172796, 900318 AND 900319.
- MATING TO PART NUMBER 79-25183 FOR AMP SEALED BEAM CONNECTOR TAB. (BE BASED ON SAE, JASO AND JIS SPEC.)

BLACK	353752-2
COLOR	PART NUMBER

THIS DRAWING IS A CONTROLLED DOCUMENT.

DIMENSIONS:  
単位: 概  
mm



MATERIAL  
材料  
PBT

TOLERANCES UNLESS OTHERWISE SPECIFIED:  
一般公差 ± -

0-PLC	±
1-PLC	±0.1
2-PLC	±0.01
3-PLC	±0.001
4-PLC	±0.0001
ANGLES	±1.00'

FINISH  
仕上

DWN K.FUCHIBE 02APR97

CHK K.FUCHIBE 02APR97

APVD K.SHIMIZU 03APR97

PRODUCT SPEC  
製品規格  
108-5131

APPLICATION SPEC  
取付適用規格

WEIGHT  
6.8g

CUSTOMER DRAWING

WIRE RANGE 包合電線断面積	INSULATION DIA 被覆外径
-----------------------	------------------------



NAME  
名称  
.312 HEAD LAMP CONNECTOR  
(COMPACT TYPE)

SIZE A3	CAGE CODE	DRAWING NO 番号 C-353752	RESTRICTED TO
------------	-----------	------------------------------	---------------

SCALE 尺度 2:1	SHEET 1	OF 1	REV A
--------------------	------------	---------	----------