

CONTINUOUS HINGE WITH CLAMPS, TYPE 4X



INDUSTRY STANDARDS

UL 508A Listed; Type 3R, 4, 4X, 12; File No. E61997
 cUL Listed per CSA C22.2 No 94; Type 3R, 4, 4X, 12; File No. E61997

NEMA/EEMAC Type 3, 3R, 4, 4X, 12, 13
 CSA File No. 42186: Type 4, 4X, 12
 IEC 60529, IP66
 Meets NEMA Type 3RX requirements

Standard Product

Catalog Number	AxBxC in./mm	Stainless Steel Type	Steel Panel	Conductive Steel Panel	Stainless Steel Panel	Panel Size D x E in./mm	F in./mm	Clamps Qty.	Data Pocket
A16H1206SSLP	16.00 x 12.00 x 6.00 406 x 305 x 152	304	A16P12	A16P12G	A16P12SS6	13.00 x 9.00 330 x 229	1.25 32	4	Small
A16H1206SS6LP	16.00 x 12.00 x 6.00 406 x 305 x 152	316L	A16P12	A16P12G	A16P12SS6	13.00 x 9.00 330 x 229	1.25 32	4	Small
A16H1606SSLP	16.00 x 16.00 x 6.00 406 x 406 x 152	304	A16P16	A16P16G	A16P16SS6	13.00 x 13.00 330 x 330	3.00 76	4	Small
A16H1606SS6LP	16.00 x 16.00 x 6.00 406 x 406 x 152	316L	A16P16	A16P16G	A16P16SS6	13.00 x 13.00 330 x 330	3.00 76	4	Small
A16H2006SSLP	16.00 x 20.00 x 6.00 406 x 508 x 152	304	A20P16	A20P16G	A20P16SS6	17.00 x 13.00 432 x 330	3.00 76	4	Small
A16H2006SS6LP	16.00 x 20.00 x 6.00 406 x 508 x 152	316L	A20P16	A20P16G	A20P16SS6	17.00 x 13.00 432 x 330	3.00 76	4	Small
A20H1606SSLP	20.00 x 16.00 x 6.00 508 x 406 x 152	304	A20P16	A20P16G	A20P16SS6	17.00 x 13.00 432 x 330	3.00 76	4	Small
A20H1606SS6LP	20.00 x 16.00 x 6.00 508 x 406 x 152	316L	A20P16	A20P16G	A20P16SS6	17.00 x 13.00 432 x 330	3.00 76	4	Small
A20H2006SSLP	20.00 x 20.00 x 6.00 508 x 508 x 152	304	A20P20	A20P20G	A20P20SS6	17.00 x 17.00 432 x 432	3.00 76	4	Small
A20H2006SS6LP	20.00 x 20.00 x 6.00 508 x 508 x 152	316L	A20P20	A20P20G	A20P20SS6	17.00 x 17.00 432 x 432	3.00 76	4	Small
A24H2006SSLP	24.00 x 20.00 x 6.00 610 x 508 x 152	304	A24P20	A24P20G	A24P20SS6	21.00 x 17.00 533 x 432	3.00 76	5	Small
A24H2006SS6LP	24.00 x 20.00 x 6.00 610 x 508 x 152	316L	A24P20	A24P20G	A24P20SS6	21.00 x 17.00 533 x 432	3.00 76	5	Small
A24H2406SSLP	24.00 x 24.00 x 6.00 610 x 610 x 152	304	A24P24	A24P24G	A24P24SS6	21.00 x 21.00 533 x 533	3.00 76	5	Small
A24H2406SS6LP	24.00 x 24.00 x 6.00 610 x 610 x 152	316L	A24P24	A24P24G	A24P24SS6	21.00 x 21.00 533 x 533	3.00 76	5	Small

APPLICATION

For use in indoor and outdoor corrosive environments that require a water-tight seal, this enclosure's seamless foam-in-place gasket and screw-down clamps provide a secure seal against contaminants.

SPECIFICATIONS

- 14 gauge Type 304 or Type 316L stainless steel bodies and doors
- Seams continuously welded and ground smooth
- Seamless foam-in-place gasket
- Rolled lip around three sides of door
- Stainless steel door clamp assembly
- Hasp and staple for padlocking
- Door removed by pulling stainless steel continuous hinge pin
- Data pocket is high-impact thermoplastic
- Collar studs provided for mounting optional panels
- Exterior hardware on Type 316L stainless steel enclosures matches enclosure material
- Bonding provision on door; grounding stud on body

FINISH

Door, sides, top and bottom have smooth #4 brushed finish.

ACCESSORIES

Fast-Operating Clamp Assembly
 Panels for Type 3R, 4, 4X, 12 and 13 Enclosures
 Junction Box and Wall-Mount Enclosure Swing Out Panel Kit
 Steel and Stainless Steel Window Kits
 H2OMIT Vent Drains, Type 4X
 H2OMIT Thermoelectric Dehumidifier

MODIFICATION AND CUSTOMIZATION

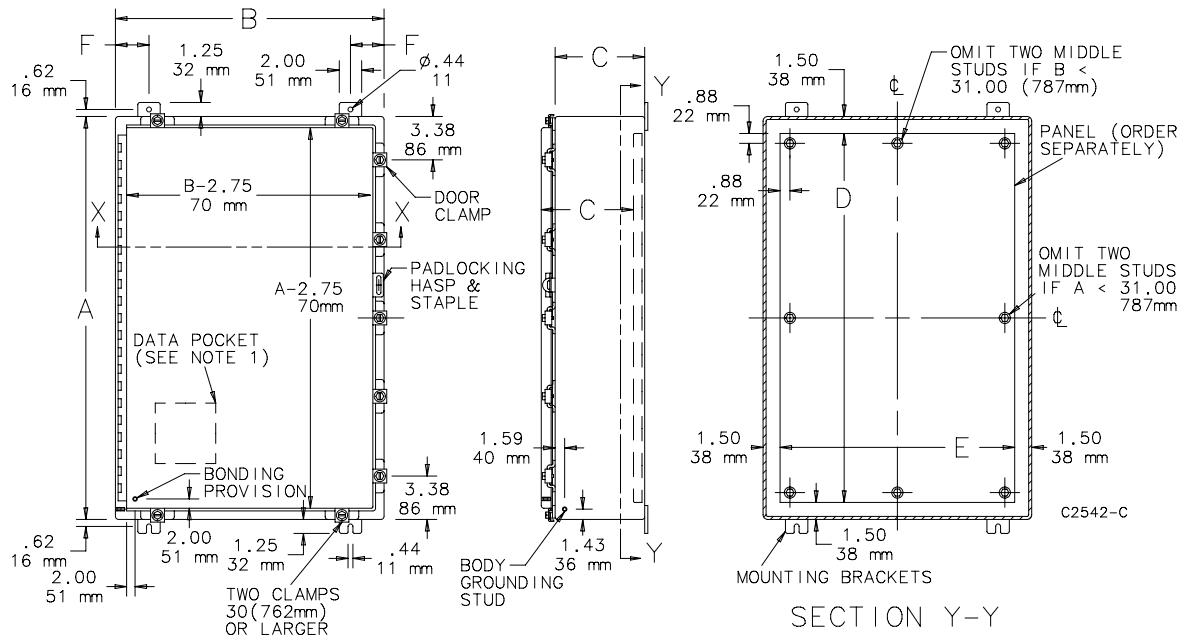
Hoffman excels at modifying and customizing products to your specifications. Contact your local Hoffman sales office or distributor for complete information.

BULLETIN: A4S

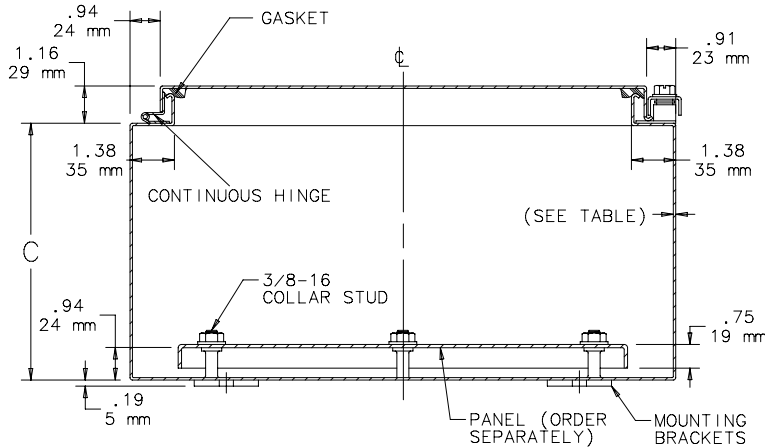
Catalog Number	AxBxC in./mm	Stainless Steel Type	Steel Panel	Conductive Steel Panel	Stainless Steel Panel	Panel Size D x E in./mm	F in./mm	Clamps Qty.	Data Pocket
A16H1208SSLP	16.00 x 12.00 x 8.00 406 x 305 x 203	304	A16P12	A16P12G	A16P12SS6	13.00 x 9.00 330 x 229	1.25 32	4	Small
A16H1208SS6LP	16.00 x 12.00 x 8.00 406 x 305 x 203	316L	A16P12	A16P12G	A16P12SS6	13.00 x 9.00 330 x 229	1.25 32	4	Small
A20H1608SSLP	20.00 x 16.00 x 8.00 508 x 406 x 203	304	A20P16	A20P16G	A20P16SS6	17.00 x 13.00 432 x 330	3.00 76	4	Small
A20H1608SS6LP	20.00 x 16.00 x 8.00 508 x 406 x 203	316L	A20P16	A20P16G	A20P16SS6	17.00 x 13.00 432 x 330	3.00 76	4	Small
A20H2008SSLP	20.00 x 20.00 x 8.00 508 x 508 x 203	304	A20P20	A20P20G	A20P20SS6	17.00 x 17.00 432 x 432	3.00 76	4	Small
A20H2008SS6LP	20.00 x 20.00 x 8.00 508 x 508 x 203	316L	A20P20	A20P20G	A20P20SS6	17.00 x 17.00 432 x 432	3.00 76	4	Small
A20H2408SSLP	20.00 x 24.00 x 8.00 508 x 610 x 203	304	A24P20	A24P20G	A24P20SS6	21.00 x 17.00 533 x 432	3.00 76	4	Small
A20H2408SS6LP	20.00 x 24.00 x 8.00 508 x 610 x 203	316L	A24P20	A24P20G	A24P20SS6	21.00 x 17.00 533 x 432	3.00 76	4	Small
A24H1608SSLP	24.00 x 16.00 x 8.00 610 x 406 x 203	304	A24P16	A24P16G	A24P16SS6	21.00 x 13.00 533 x 330	3.00 76	5	Small
A24H1608SS6LP	24.00 x 16.00 x 8.00 610 x 406 x 203	316L	A24P16	A24P16G	A24P16SS6	21.00 x 13.00 533 x 330	3.00 76	5	Small
A24H2008SSLP	24.00 x 20.00 x 8.00 610 x 508 x 203	304	A24P20	A24P20G	A24P20SS6	21.00 x 17.00 533 x 432	3.00 76	5	Small
A24H2008SS6LP	24.00 x 20.00 x 8.00 610 x 508 x 203	316L	A24P20	A24P20G	A24P20SS6	21.00 x 17.00 533 x 432	3.00 76	5	Small
A24H2408SSLP	24.00 x 24.00 x 8.00 610 x 610 x 203	304	A24P24	A24P24G	A24P24SS6	21.00 x 21.00 533 x 533	3.00 76	5	Small
A24H2408SS6LP	24.00 x 24.00 x 8.00 610 x 610 x 203	316L	A24P24	A24P24G	A24P24SS6	21.00 x 21.00 533 x 533	3.00 76	5	Small
A24H3008SSLP	24.00 x 30.00 x 8.00 610 x 762 x 203	304	A30P24	A30P24G	A30P24SS6	27.00 x 21.00 686 x 533	3.00 76	7	Small
A24H3008SS6LP	24.00 x 30.00 x 8.00 610 x 762 x 203	316L	A30P24	A30P24G	A30P24SS6	27.00 x 21.00 686 x 533	3.00 76	7	Small
A30H2008SSLP	30.00 x 20.00 x 8.00 762 x 508 x 203	304	A30P20	A30P20G	A30P20SS6	27.00 x 17.00 686 x 432	3.00 76	5	Small
A30H2008SS6LP	30.00 x 20.00 x 8.00 762 x 508 x 203	316L	A30P20	A30P20G	A30P20SS6	27.00 x 17.00 686 x 432	3.00 76	5	Small
A30H2408SSLP	30.00 x 24.00 x 8.00 762 x 610 x 203	304	A30P24	A30P24G	A30P24SS6	27.00 x 21.00 686 x 533	3.00 76	5	Large
A30H2408SS6LP	30.00 x 24.00 x 8.00 762 x 610 x 203	316L	A30P24	A30P24G	A30P24SS6	27.00 x 21.00 686 x 533	3.00 76	5	Large
A30H3008SSLP	30.00 x 30.00 x 8.00 762 x 762 x 203	304	A30P30	A30P30G	A30P30SS6	27.00 x 27.00 686 x 686	3.00 76	7	Large
A30H3008SS6LP	30.00 x 30.00 x 8.00 762 x 762 x 203	316L	A30P30	A30P30G	A30P30SS6	27.00 x 27.00 686 x 686	3.00 76	7	Large
A36H2408SSLP	36.00 x 24.00 x 8.00 914 x 610 x 203	304	A36P24	A36P24G	A36P24SS6	33.00 x 21.00 838 x 533	3.00 76	5	Large
A36H2408SS6LP	36.00 x 24.00 x 8.00 914 x 610 x 203	316L	A36P24	A36P24G	A36P24SS6	33.00 x 21.00 838 x 533	3.00 76	5	Large
A36H3008SSLP	36.00 x 30.00 x 8.00 914 x 762 x 203	304	A36P30	A36P30G	A36P30SS6	33.00 x 27.00 838 x 686	3.00 76	7	Large
A36H3008SS6LP	36.00 x 30.00 x 8.00 914 x 762 x 203	316L	A36P30	A36P30G	A36P30SS6	33.00 x 27.00 838 x 686	3.00 76	7	Large
A42H3608SSLP	42.00 x 36.00 x 8.00 1067 x 914 x 203	304	A42P36	A42P36G	A42P36SS6	39.00 x 33.00 991 x 838	3.00 76	8	Large
A42H3608SS6LP	42.00 x 36.00 x 8.00 1067 x 914 x 203	316L	A42P36	A42P36G	A42P36SS6	39.00 x 33.00 991 x 838	3.00 76	8	Large
A48H3608SSLP	48.00 x 36.00 x 8.00 1219 x 914 x 203	304	A48P36	A48P36G	A48P36SS6	45.00 x 33.00 1143 x 838	3.00 76	8	Large
A48H3608SS6LP	48.00 x 36.00 x 8.00 1219 x 914 x 203	316L	A48P36	A48P36G	A48P36SS6	45.00 x 33.00 1143 x 838	3.00 76	8	Large
A20H1610SSLP	20.00 x 16.00 x 10.00 508 x 406 x 254	304	A20P16	A20P16G	A20P16SS6	17.00 x 13.00 432 x 330	3.00 76	4	Small
A20H1610SS6LP	20.00 x 16.00 x 10.00 508 x 406 x 254	316L	A20P16	A20P16G	A20P16SS6	17.00 x 13.00 432 x 330	3.00 76	4	Small
A24H2010SSLP	24.00 x 20.00 x 10.00 610 x 508 x 254	304	A24P20	A24P20G	A24P20SS6	21.00 x 17.00 533 x 432	3.00 76	5	Small
A24H2010SS6LP	24.00 x 20.00 x 10.00 610 x 508 x 254	316L	A24P20	A24P20G	A24P20SS6	21.00 x 17.00 533 x 432	3.00 76	5	Small
A30H2410SSLP	30.00 x 24.00 x 10.00 762 x 610 x 254	304	A30P24	A30P24G	A30P24SS6	27.00 x 21.00 686 x 533	3.00 76	5	Large
A30H2410SS6LP	30.00 x 24.00 x 10.00 762 x 610 x 254	316L	A30P24	A30P24G	A30P24SS6	27.00 x 21.00 686 x 533	3.00 76	5	Large
A36H2410SSLP	36.00 x 24.00 x 10.00 914 x 610 x 254	304	A36P24	A36P24G	A36P24SS6	33.00 x 21.00 838 x 533	3.00 76	5	Large
A36H2410SS6LP	36.00 x 24.00 x 10.00 914 x 610 x 254	316L	A36P24	A36P24G	A36P24SS6	33.00 x 21.00 838 x 533	3.00 76	5	Large
A36H3010SSLP	36.00 x 30.00 x 10.00 914 x 762 x 254	304	A36P30	A36P30G	A36P30SS6	33.00 x 27.00 838 x 686	3.00 76	7	Large

Catalog Number	AxBxC in./mm	Stainless Steel Type	Steel Panel	Conductive Steel Panel	Stainless Steel Panel	Panel Size D x E in./mm	F in./mm	Clamps Qty.	Data Pocket
A36H3010SS6LP	36.00 x 30.00 x 10.00 914 x 762 x 254	316L	A36P30	A36P30G	A36P30SS6	33.00 x 27.00 838 x 686	3.00 76	7	Large
A42H3010SSLP	42.00 x 30.00 x 10.00 1067 x 762 x 254	304	A42P30	A42P30G	A42P30SS6	39.00 x 27.00 991 x 686	3.00 76	8	Large
A42H3010SS6LP	42.00 x 30.00 x 10.00 1067 x 762 x 254	316L	A42P30	A42P30G	A42P30SS6	39.00 x 27.00 991 x 686	3.00 76	8	Large
A48H3610SSLP	48.00 x 36.00 x 10.00 1219 x 914 x 254	304	A48P36	A48P36G	A48P36SS6	45.00 x 33.00 1143 x 838	3.00 76	8	Large
A48H3610SS6LP	48.00 x 36.00 x 10.00 1219 x 914 x 254	316L	A48P36	A48P36G	A48P36SS6	45.00 x 33.00 1143 x 838	3.00 76	8	Large
A24H2412SSLP	24.00 x 24.00 x 12.00 610 x 610 x 305	304	A24P24	A24P24G	A24P24SS6	21.00 x 21.00 533 x 533	3.00 76	5	Small
A24H2412SS6LP	24.00 x 24.00 x 12.00 610 x 610 x 305	316L	A24P24	A24P24G	A24P24SS6	21.00 x 21.00 533 x 533	3.00 76	5	Small
A30H2412SSLP	30.00 x 24.00 x 12.00 762 x 610 x 305	304	A30P24	A30P24G	A30P24SS6	27.00 x 21.00 686 x 533	3.00 76	5	Large
A30H2412SS6LP	30.00 x 24.00 x 12.00 762 x 610 x 305	316L	A30P24	A30P24G	A30P24SS6	27.00 x 21.00 686 x 533	3.00 76	5	Large
A36H3012SSLP	36.00 x 30.00 x 12.00 914 x 762 x 305	304	A36P30	A36P30G	A36P30SS6	33.00 x 27.00 838 x 686	3.00 76	7	Large
A36H3012SS6LP	36.00 x 30.00 x 12.00 914 x 762 x 305	316L	A36P30	A36P30G	A36P30SS6	33.00 x 27.00 838 x 686	3.00 76	7	Large
A36H3612SSLP	36.00 x 36.00 x 12.00 914 x 914 x 305	304	A36P36	A36P36G	A36P36SS6	33.00 x 33.00 838 x 838	3.00 76	7	Large
A36H3612SS6LP	36.00 x 36.00 x 12.00 914 x 914 x 305	316L	A36P36	A36P36G	A36P36SS6	33.00 x 33.00 838 x 838	3.00 76	7	Large
A48H3612SSLP	48.00 x 36.00 x 12.00 1219 x 914 x 305	304	A48P36	A48P36G	A48P36SS6	45.00 x 33.00 1143 x 838	3.00 76	8	Large
A48H3612SS6LP	48.00 x 36.00 x 12.00 1219 x 914 x 305	316L	A48P36	A48P36G	A48P36SS6	45.00 x 33.00 1143 x 838	3.00 76	8	Large
A60H3612SSLP	60.00 x 36.00 x 12.00 1524 x 914 x 305	304	A60P36	A60P36G	A60P36SS6	57.00 x 33.00 1448 x 838	3.00 76	9	Large
A60H3612SS6LP	60.00 x 36.00 x 12.00 1524 x 914 x 305	316L	A60P36	A60P36G	A60P36SS6	57.00 x 33.00 1448 x 838	3.00 76	9	Large
A30H2416SSLP	30.00 x 24.00 x 16.00 762 x 610 x 406	304	A30P24	A30P24G	A30P24SS6	27.00 x 21.00 686 x 533	3.00 76	5	Large
A30H2416SS6LP	30.00 x 24.00 x 16.00 762 x 610 x 406	316L	A30P24	A30P24G	A30P24SS6	27.00 x 21.00 686 x 533	3.00 76	5	Large
A36H3016SSLP	36.00 x 30.00 x 16.00 914 x 762 x 406	304	A36P30	A36P30G	A36P30SS6	33.00 x 27.00 838 x 686	3.00 76	7	Large
A36H3016SS6LP	36.00 x 30.00 x 16.00 914 x 762 x 406	316L	A36P30	A36P30G	A36P30SS6	33.00 x 27.00 838 x 686	3.00 76	7	Large
A48H3616SSLP	48.00 x 36.00 x 16.00 1219 x 914 x 406	304	A48P36	A48P36G	A48P36SS6	45.00 x 33.00 1143 x 838	3.00 76	8	Large
A48H3616SS6LP	48.00 x 36.00 x 16.00 1219 x 914 x 406	316L	A48P36	A48P36G	A48P36SS6	45.00 x 33.00 1143 x 838	3.00 76	8	Large
A60H3616SSLP	60.00 x 36.00 x 16.00 1524 x 914 x 406	304	A60P36	A60P36G	A60P36SS6	57.00 x 33.00 1448 x 838	3.00 76	9	Large
A60H3616SS6LP	60.00 x 36.00 x 16.00 1524 x 914 x 406	316L	A60P36	A60P36G	A60P36SS6	57.00 x 33.00 1448 x 838	3.00 76	9	Large

Purchase panels separately. Optional composite and aluminum panels are available for most sizes.



SECTION Y-Y



SECTION X-X

NOTE:

1. Removable data pocket included (see table for size). Large data pocket 12.00 x 12.00 (305mm x 305mm); small data pocket 6.00 x 6.00 (152mm x 152mm).
2. Maximum spacing between door clamps is 15.00 (382mm)

Popular Cooling Products

Enclosure Depth (C Dimension)	Thermoelectric Controller
6 in. (152 mm)	TE090624011
8 in. (203 mm)	TE162024011
10 in. (254 mm)	TE162024011
12 in. (305 mm)	TE162024011
16 in. (406 mm)	TE162024011

***Important:** Visit tools.hoffmanonline.com/attachments to access our **Cooling Selection Tool** to determine the appropriate cooling solution for your application.

Popular Accessories

Enclosure Width (B Dimension)	Lights	Hole Seals	Window Kits
12 in. (305 mm)	LEDPUCK	AS050SS	APWK53NFSS
16 in. (406 mm)	LEDA2M35	AS050SS	APWK53NFSS
20 in. (508 mm)	LED24V15	AS050SS	APWK53NFSS
24 in. (610 mm)	LED24V15	AS050SS	APWK53NFSS
30 in. (762 mm)	LED24V15	AS050SS	APWK53NFSS
36 in. (914 mm)	LED24V15	AS050SS	APWK53NFSS