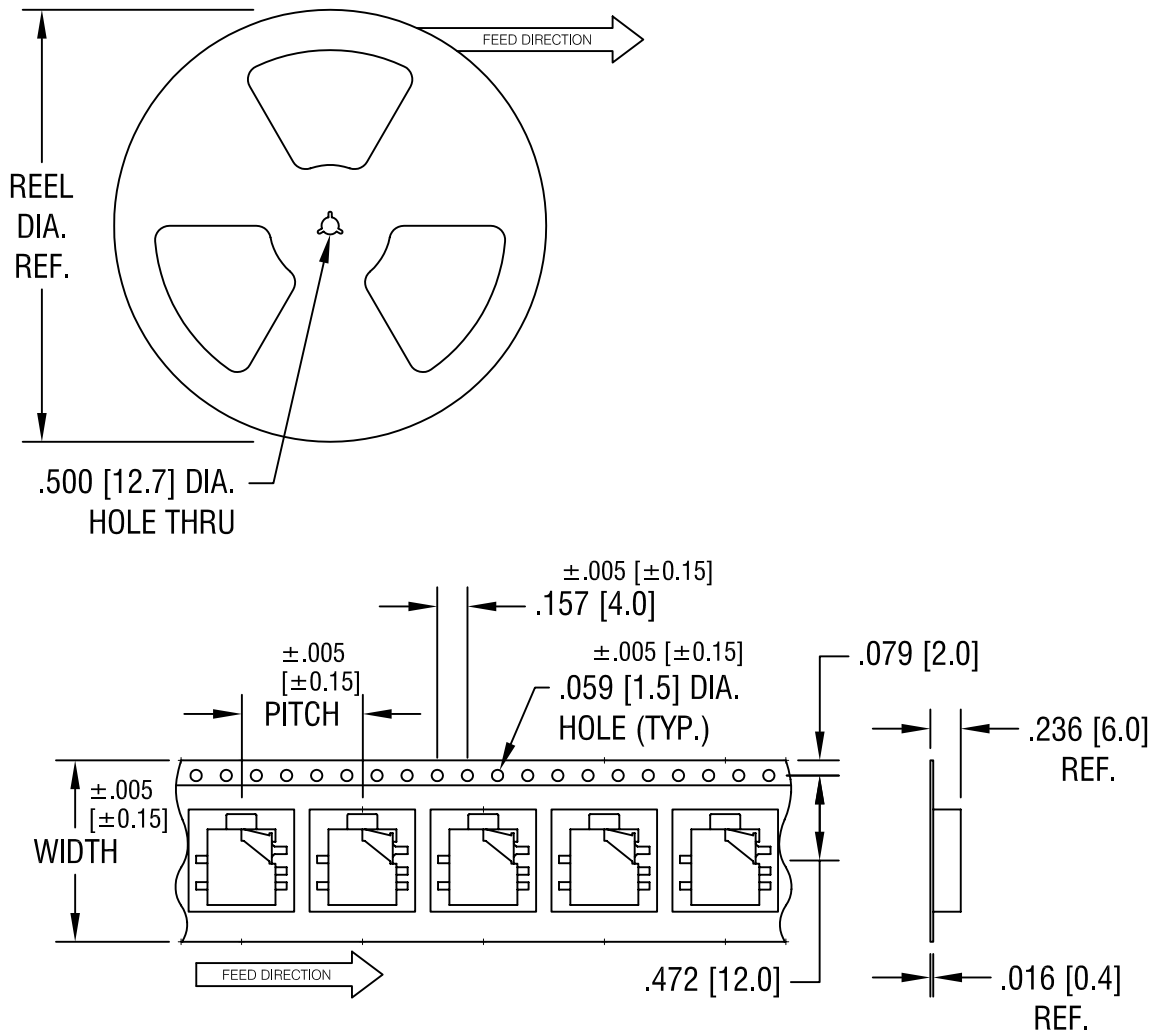


THIS DOCUMENT IS THE PROPERTY OF KEYSTONE ELECTRONICS CORP. AND SHALL NOT BE REPRODUCED, DISTRIBUTED OR USED AS A BASIS FOR MANUFACTURE WITHOUT PRIOR WRITTEN PERMISSION FROM KEYSTONE ELECTRONICS CORP.



NOTES:

TAPE AND REEL SPECIFICATIONS:

1. TAPE:

MAT'L - ALL CONDUCTIVE POLYSTYRENE CARRIER

ANSI/EIA-481 STANDARD

.945 [24.0] WIDE; .630 [16.0] PITCH

2. REEL:

15.0 [381.0] DIA. 1000 PIECES OF

PART NO. 980 PER REEL.

**KEYSTONE ELECTRONICS CORP.**

ASTORIA, N.Y. 11105-2017

PART NAME

2.5mm SM STEREO JACK ON TAPE

MATERIAL

AS NOTED

FINISH

AS NOTED

DRN BY

BOONE

DATE

2.28.00

APP'D

LN

SCALE

X

10.17.06

CHANGE AS PER ECN 06-066

A

TOLERANCES

INCH [MM]

CODE

DWG NO.

DECIMAL ±.015 [±0.38]

C/M

ANGULAR ± 1°  
UNLESS OTHERWISE SPECIFIED

**980TR**

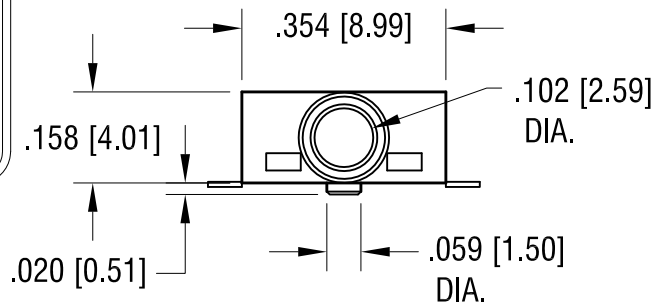
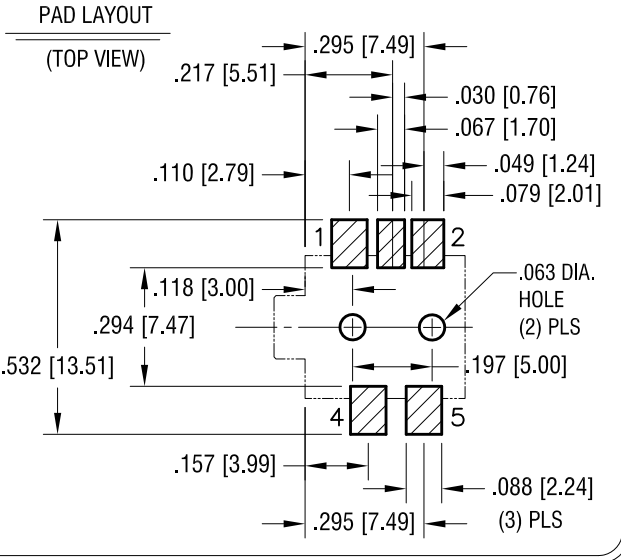
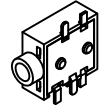
DATE

DESCRIPTION

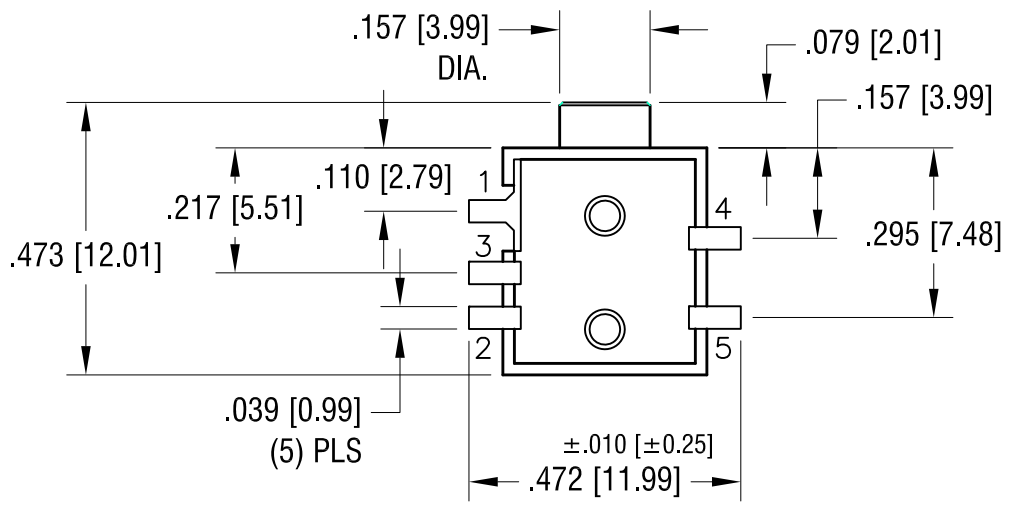
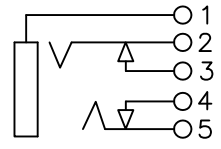
REV.

THIS DOCUMENT IS THE PROPERTY OF KEYSTONE ELECTRONICS CORP. AND SHALL NOT BE REPRODUCED, DISTRIBUTED OR USED AS A BASIS FOR MANUFACTURE WITHOUT PRIOR WRITTEN PERMISSION FROM KEYSTONE ELECTRONICS CORP.

**ACTUAL SIZE**



**STEREO SCHEMATIC**



**NOTES:**

- MAT'L:**  
 HOUSING: MAT'L- LCP, UL 94V-0  
 GROUND TERMINAL: .012 [0.3] TH'K BRASS ①  
 SPRING CONTACTS: .008 [0.2] TH'K PHOSPHOR BRONZE ② ⑤  
 SHUNT TERMINALS: .012 [0.3] TH'K BRASS ③ ④
- TAPE SPECIFICATIONS:**  
 MAT'L - ALL CONDUCTIVE POLYSTYRENE CARRIER  
 ANSI/EIA-481 STANDARD  
 24MM (.945) WIDE; 16MM (.630) PITCH
- REEL SPECIFICATION:**  
 15 INCH DIA. 1000 PIECES

5.20.13	HOUSING WAS POLYAMIDE CHANGE AS PER ECN 13-041	A
DATE	DESCRIPTION	REV.

<b>KEYSTONE ELECTRONICS CORP.</b>			
www.keyelco.com • ASTORIA, N.Y. 11105-2017 • Tel (718) 956-8900			
PART NAME 2.5mm SURFACE MOUNT STEREO JACK			
MATERIAL AS NOTED			
FINISH GOLD FLASH		DRN BY BOONE	DATE 7.20.98
		APP'D LN	SCALE 3X
TOLERANCES	INCH [MM]	CODE	DWG NO.
DECIMAL	± .005 [± 0.13]	C	
ANGULAR	± 1°		
UNLESS OTHERWISE SPECIFIED			
			<b>980</b>