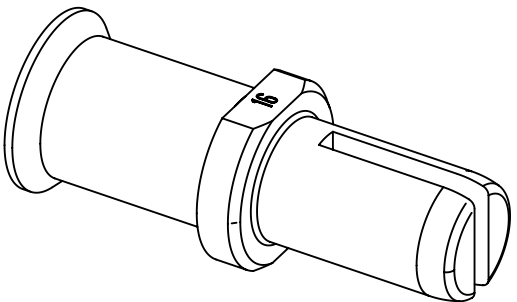


assembly notes see catalog  
 crimp zone acc. to DIN EN 46235; indicator 16  
 for stranded fine wire acc. to VDE 0295 class5/ IEC 60228 class 5  
 wire gauge: 70mm<sup>2</sup>  
 stripping length: 28mm



	All Dimensions in mm Original Size DIN A4		Scale 2:1	Free size tol.		Ref.		
						Sub.		
	All rights reserved		Created by SCHULZI	Inspected by SCHNIEDER	Standardisation SCHMIDTM	Date 2015-01-27	State Final Release	
	Department EL PD - DE		Title Han TC350 male contact 70mm <sup>2</sup>				Doc-Key / ECM-Nr. 100175129/UGD/007/A 500000082399	
HARTING Electric GmbH & Co. KG D-32339 Espelkamp			Type TB	Number 09 11 000 6142			Rev. A	Page 1/1